

**Pressing tool
PZ 50**

Weidmüller Interface GmbH & Co. KG
Klingenbergstraße 16
D-32758 Detmold
Germany
Fon: +49 5231 14-0
Fax: +49 5231 14-292083
www.weidmueller.com

**Crimping tools for wire end ferrules, with and without plastic collars**

- Ratchet guarantees precise crimping
- Release option in the event of incorrect operation

General ordering data

Type	PZ 50
Order No.	9006450000
Version	Pressing tool, Crimping tool for wire-end ferrules, 25mm ² , 50mm ² , Indent crimping
GTIN (EAN)	4008190095796
Qty.	1 pc(s).

Data sheet

**Pressing tool
PZ 50**

Weidmüller Interface GmbH & Co. KG
 Klingenbergstraße 16
 D-32758 Detmold
 Germany
 Fon: +49 5231 14-0
 Fax: +49 5231 14-292083
 www.weidmueller.com

Technical data

Dimensions and weights

Width	250 mm	Width (inches)	9.842 inch
Weight	730 g	Net weight	595.3 g

Environmental Product Compliance

REACH SVHC	Lead 7439-92-1
------------	----------------

Technical data

Version	Mechanical, without interchangeable inserts
---------	---

Description of contact

Type of contact	Wire-end ferrules with/without plastic collars	Crimping range, min.	25 mm ²
Crimping range, max.	50 mm ²		

tool data crimping

Crimping profile 1, min.	25 mm ²	Crimping type/profile	Indent crimping
Wire end ferrules cross-section, min.	25 mm ²	Wire end ferrules cross-section, max.	50 mm ²
Crimping profile 2, min.	35 mm ²	Crimping profile 3, min.	50 mm ²

Classifications

ETIM 3.0	EC000005	ETIM 4.0	EC000005
ETIM 5.0	EC000168	ETIM 6.0	EC000168
UNSPSC	31-16-31-02	eClass 5.1	27-40-02-01
eClass 6.2	21-04-38-11	eClass 7.1	21-04-38-10
eClass 8.1	21-04-38-10	eClass 9.0	21-04-38-11
eClass 9.1	21-04-38-11		

Approvals

Approvals



Downloads

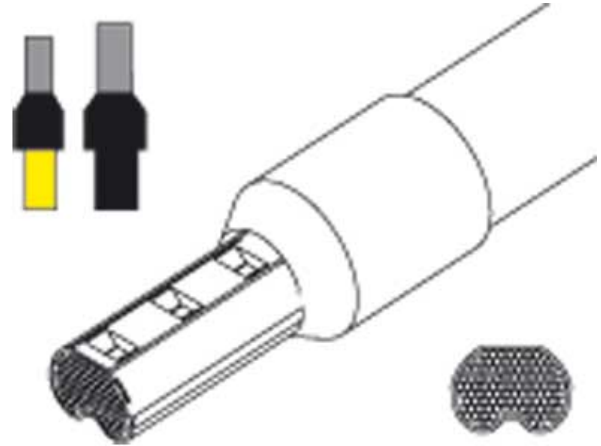
Brochure/Catalogue	CAT 6 TOOLS 15/16 EN
Engineering Data	WSCAD
Engineering Data	STEP

Data sheet

**Pressing tool
PZ 50**

Weidmüller Interface GmbH & Co. KG
Klingenbergstraße 16
D-32758 Detmold
Germany
Fon: +49 5231 14-0
Fax: +49 5231 14-292083
www.weidmueller.com

Drawings



Example of use

