

SAI-8-F 5P PUR 15M**Weidmüller Interface GmbH & Co. KG**

Klingenbergstraße 16

D-32758 Detmold

Germany

Fon: +49 5231 14-0

Fax: +49 5231 14-292083

www.weidmueller.com



M12 distributors are available in various versions. The 4, 6 or 8 M12 slots are in 4 or 5 pole design. The group outlet is designed as a fixed cable version, hood version for connection by the user, or with M23. Special versions are also available. For instance, there are 1-to-1 distributors for use with any connection types, or distributors approved for Ex Zone 1.

General ordering data

Type	SAI-8-F 5P PUR 15M
Order No.	9456910000
Version	Sensor-actuator passive distributor, M12, Fixed cable version, 15 m, Yes
GTIN (EAN)	4008190304898
Qty.	1 pc(s).

SAI-8-F 5P PUR 15M

Weidmüller Interface GmbH & Co. KG

Klingenbergstraße 16

D-32758 Detmold

Germany

Fon: +49 5231 14-0

Fax: +49 5231 14-292083

www.weidmueller.com

Technical data

Dimensions and weights

Length	152 mm	Length (inches)	5.984 inch
Height	25 mm	Height (inches)	0.984 inch
Net weight	2,257 g		

Temperatures

Operating temperature range, max.	80 °C	Operating temperature range, min.	-20 °C
Operating temperature, max.	80 °C	Operating temperature, min.	-20 °C
Operating temperature	-20 - 80°C		

Environmental Product Compliance

REACH SVHC	Lead 7439-92-1
------------	----------------

Connection data

Sheathing stripping length	100 mm	Distributor outlet	Fixed cable version
----------------------------	--------	--------------------	---------------------

Standards

Certificate No. (CSA)	53975-21	Certificate No. (cURus)	E141197
-----------------------	----------	-------------------------	---------

Electrical data

Rated voltage , min.	10 V	Rated voltage , max.	30 V
Test voltage	1 kV	Max. current-carrying capacity per slot	4 A
Total current	9 A	Current per signal	2 A
Electrical isolation available	No	Insulation strength	10 ⁹ Ω

General technical data

Protection degree	IP68	No. of poles	5
Number of contact sockets	8	Connection thread	M12
Pollution severity	3	Fire behaviour	V-0
Plugging cycles	≤ 50	LED	Yes
LED initiator	Yes	LED colour for indicating operation	green
LED colour for I/O function	yellow		

Material data

Housing main material	Pocan	Material of distributor	Plastic
Housing colour	grey, RAL 7032	Hood sealing material	Viton
Screw socket	Nickel-plated CuZn	Contact material	CuZn
Contact surface	Gold-plated	Contact carrier material	PBT (UL 94 V0)

SAI-8-F 5P PUR 15M

Weidmüller Interface GmbH & Co. KG
 Klingenbergstraße 16
 D-32758 Detmold
 Germany
 Fon: +49 5231 14-0
 Fax: +49 5231 14-292083
 www.weidmueller.com

Technical data

Technical data cable

Cable length	15 m	Suitable for cable carriers	Yes
No. of poles	5	Wire cross section	16 x 0.34 mm ² + 3 x 1.0 mm ²
O.D.	9.7 mm	Shielded	No
Colour coding	white, green, yellow, grey, pink, red, brown, blue, Green/yellow, black, violet, grey / pink, red / blue, white / green, brown / green, white / yellow, Yellow / brown, white / grey, grey / brown	Sheath material	PUR
Sheathing colour	black	Halogen	No
Bending radius, min., moving	10 x cable diameter	Bending cycles	2 Mio

Classifications

ETIM 3.0	EC001856	ETIM 4.0	EC002585
ETIM 5.0	EC002585	ETIM 6.0	EC002585
UNSPSC	30-21-18-01	eClass 6.2	27-06-91-90
eClass 7.1	27-06-91-90	eClass 8.1	27-06-91-90
eClass 9.0	27-44-01-08	eClass 9.1	27-44-01-08

Approvals

Approvals



ROHS Conform

Downloads

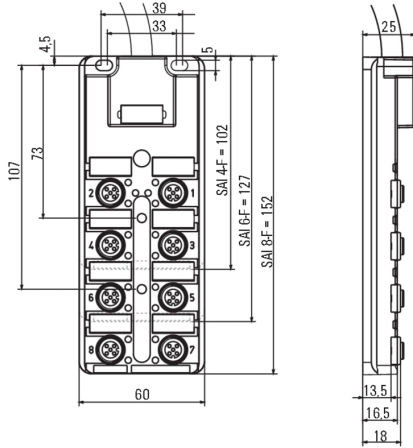
Brochure/Catalogue	CAT 8 SAI 15/16 EN FL FIELDWIRING EN
Engineering Data	WSCAD

SAI-8-F 5P PUR 15M

Weidmüller Interface GmbH & Co. KG
 Klingenbergstraße 16
 D-32758 Detmold
 Germany
 Fon: +49 5231 14-0
 Fax: +49 5231 14-292083
 www.weidmueller.com

Drawings

Dimensioned drawing



Wiring diagram

