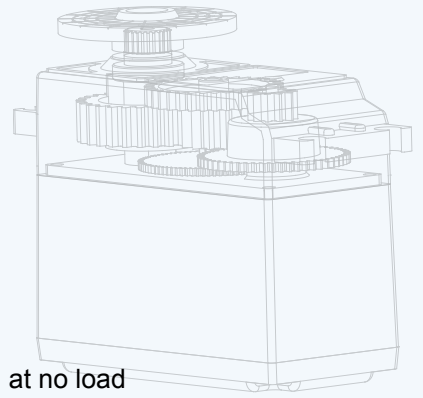


# VS-11AMB SERVO



## TECHNICAL DATA

Operating Voltage:	4.8V~6.0V (DC)	
Test Voltage:	at 4.8V	at 6.0V
Operating Speed:	0.22sec/60° at no load	0.19sec/60° at no load
Stall Torque:	≥22kgf.cm(305.5oz/in)	≥26kgf.cm(361.1oz/in)

## FEATURES

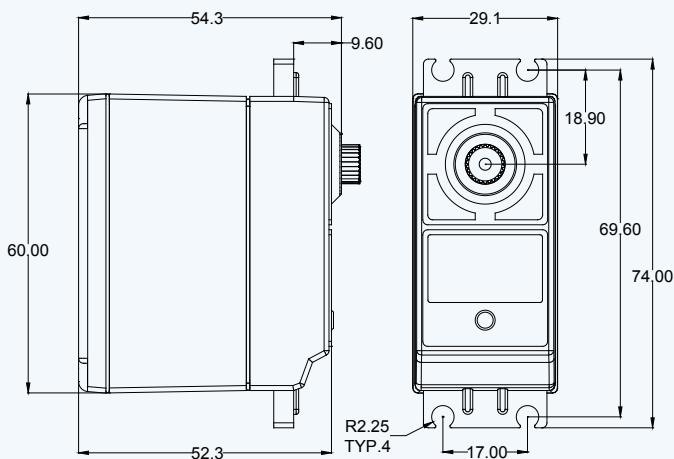
Bearing:	2pcs Ball bearing
Gear Material:	Metal gears
Other Features:	Water Resistance



## DIMENSIONS

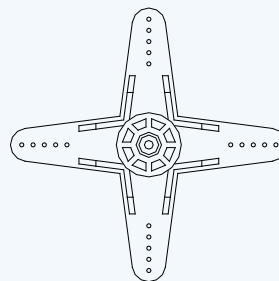
Size :	60.0×29.1×54.3mm(2.36×1.15×2.14in)
Weight:	150g(5.29oz)

## CASE AND HORN DRAWING

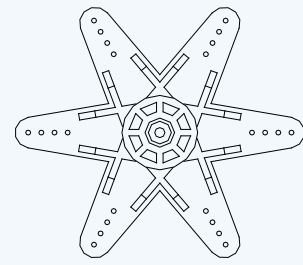


## STD ACCESSORIES:

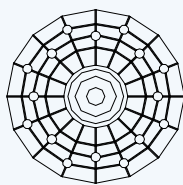
- Horn Screw × 1pc
- Cross Horn "D" × 1pc
- Star Horn "D" × 1pc
- Circular Horn "D" × 1pc



Cross Horn "D"



Star Horn "D"



Circular Horn "D"

## OPTION ACCESSORIES:

Servo Mounter "Set-A": Rubber Mounter × 4pcs and Metal Sleeve × 4pcs

