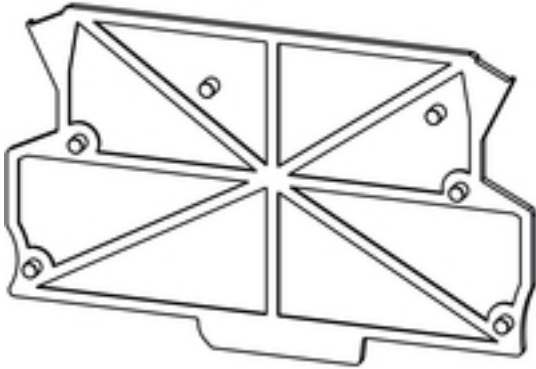


MCZ SERIES

AP MCZ1.5 SW 1683

Weidmüller Interface GmbH & Co. KG
 Klingenbergstraße 16
 D-32758 Detmold
 Germany
 Fon: +49 5231 14-0
 Fax: +49 5231 14-292083
 www.weidmueller.com



Color: Black

Open miniature housing in modular terminal format with five tension clamp connections. A transparent hinged top plate can be used for labelling and provides access to potentiometer and status displays. Plug-in cross-connectors can be used to interconnect the three top connections. A cover plate for closing off the housing is also available.

General ordering data

Type	AP MCZ1.5 SW 1683
Order No.	1046410000
Version	End plate, MCZ SERIES black, End plate, Width: 1.5 mm
GTIN (EAN)	4032248782246
Qty.	50 pc(s).

MCZ SERIES
AP MCZ1.5 SW 1683

Weidmüller Interface GmbH & Co. KG
 Klingenbergstraße 16
 D-32758 Detmold
 Germany
 Fon: +49 5231 14-0
 Fax: +49 5231 14-292083
 www.weidmueller.com

Technical data**Dimensions and weights**

Length	91 mm	Length (inches)	3.583 inch
Width	1.5 mm	Width (inches)	0.059 inch
Height	55.85 mm	Height (inches)	2.199 inch
Net weight	6.16 g		

System characteristics

Version	End plate	Protection degree	IP20
Max. power loss	0.8 W		

Material data

Insulating material	Wemid (PA)	Colour	black
Colour chart (similar)	RAL 9011	Insulating material group	IIIa
CTI	≥ 600	UL 94 flammability rating	V-0
Storage temperature, min.	-25 °C	Storage temperature, max.	55 °C
Max. relative humidity during storage	80 %	Operating temperature, min.	-50 °C
Operating temperature, max.	120 °C	Temperature range, installation, min.	-25 °C
Temperature range, installation, max.	120 °C		

Classifications

ETIM 3.0	EC000886	ETIM 5.0	EC000886
ETIM 6.0	EC000886	UNSPSC	30-21-18-27
eClass 5.1	27-14-11-33	eClass 6.2	27-14-92-14
eClass 7.1	27-14-11-33	eClass 8.1	27-14-11-33
eClass 9.1	27-14-11-33		

Notes

Notes

Approvals

ROHS	Conform
------	---------

Downloads

Brochure/Catalogue	FL ANALO.SIGN.CONV. EN MB DEVICE MANUF. EN FL MACHINE SAFETY EN FL 72H SAMPLE SER EN PO OMNIMATE EN
Engineering Data	WSCAD, Zuken E3.S
Engineering Data	STEP

Data sheet

**MCZ SERIES
AP MCZ1.5 SW 1683**

Weidmüller Interface GmbH & Co. KG
Klingenbergstraße 16
D-32758 Detmold
Germany
Fon: +49 5231 14-0
Fax: +49 5231 14-292083
www.weidmueller.com

Drawings

Similar to illustration

