

TERMSERIES TRS 24VDC 1CO

Weidmüller Interface GmbH & Co. KG
 Klingenbergstraße 16
 D-32758 Detmold
 Germany
 Fon: +49 5231 14-0
 Fax: +49 5231 14-292083
 www.weidmueller.com



TERMSERIES relay module 1 CO, complete modules consisting of a relay and a base with AC/DC/UC coils, available in different versions:

- With screw connection
- AgNi contact
- Optionally with multiple-voltage input: 24...230 V UC
- With various protective circuits in the input (free-wheel diode, RC element)
- Illuminated ejection lever

General ordering data

| | |
|------------|--|
| Type | TRS 24VDC 1CO |
| Order No. | 1122770000 |
| Version | TERMSERIES, Relays, No. of contacts: 1, CO contact, AgNi, Rated control voltage: 24 V DC \pm 20 %, Continuous current: 6 A, Screw connection |
| GTIN (EAN) | 4032248904808 |
| Qty. | 10 pc(s). |

TERMSERIES TRS 24VDC 1CO

Weidmüller Interface GmbH & Co. KG
 Klingenbergstraße 16
 D-32758 Detmold
 Germany
 Fon: +49 5231 14-0
 Fax: +49 5231 14-292083
 www.weidmueller.com

Technische Daten

Dimensions and weights

| | | | |
|-------|--------|------------|-------|
| Width | 6.4 mm | Height | 90 mm |
| Depth | 88 mm | Net weight | 33 g |

Temperatures

| | | | |
|---------------------|---|-----------------------|-----------------|
| Humidity | 5–95% rel. humidity, $T_u = 40^\circ\text{C}$, no condensation | Operating temperature | -40 °C...+60 °C |
| Storage temperature | -40 °C...+85 °C | | |

Input

| | | | |
|-------------------------------|----------------|-----------------------|--|
| Coil resistance | | Protective circuit | Integrated free-wheel diode, Reverse polarity protection |
| Pull-in/rop-out current, typ. | 7 mA / 2 mA DC | Rated control voltage | 24 V DC $\pm 20\%$ |
| Rated current DC | 10 mA | Power rating | 240 mW |
| Pull-in/rop-out typ. | 16 V / 4 V DC | Status indicator | Green LED |

Output

| | | | |
|----------------------------|---|--|---------|
| Rated switching voltage | 250 V AC | Max. switching voltage, AC | 250 V |
| Max. switching voltage, DC | 250 V | Continuous current | 6 A |
| Inrush current | 6 A | Max. switching power | 1500 VA |
| Switch-on delay | < 6 ms | Switch-off delay | < 7 ms |
| Min. switching power | 100 mA / 5 V, 10 V / 10 mA, 24 V / 1 mA | Max. switching frequency at rated load | 0.1 Hz |

Contact data

| | | | |
|------------------|------|-------------------------|----------------------------------|
| No. of contacts | 1 | Contact design | CO contact |
| Contact material | AgNi | Mechanical service life | 5×10^6 switching cycles |

General data

| | | | |
|---------------------------|------------------|----------|---|
| Wire connection method | Screw connection | Humidity | 5–95% rel. humidity, $T_u = 40^\circ\text{C}$, no condensation |
| UL 94 flammability rating | V-0 | | |

Insulation coordination

| | | | |
|--|------------------------------|---------------------------|------------------------------|
| Creepage and clearance distance input – output | ≥ 5.5 mm | Rated voltage | 300 V |
| Dielectric strength to mounting rail | 4 kV _{eff} / 1 min. | Impulse withstand voltage | 6 kV (1.2/50 μs) |
| Protection degree | IP 20 | Pollution severity | 2 |
| Surge voltage category | III | | |

Other technical data

| | | | |
|------------------|---------------|--------------------|--|
| Version | Relay coupler | Protective circuit | Integrated free-wheel diode, Reverse polarity protection |
| Status indicator | Green LED | | |

TERMSERIES TRS 24VDC 1CO

Weidmüller Interface GmbH & Co. KG
Klingenbergstraße 16
D-32758 Detmold
Germany
Fon: +49 5231 14-0
Fax: +49 5231 14-292083
www.weidmueller.com

Technische Daten

Further details of approvals / standards

Standards DIN EN 50178

Connection data

| | | | |
|--|----------------------|--|---------------------|
| Clamping range, rated connection | 1.5 mm ² | Clamping range, rated connection, max. | 1.5 mm ² |
| Clamping range, rated connection, min. | 0.14 mm ² | Stripping length, rated connection | 8 mm |
| Tightening torque, max. | 0.4 Nm | Wire connection method | Screw connection |

Classifications

eClass 6.2 27-37-16-01 eClass 7.1 27-37-16-01

Product information

| | |
|---------------------------------|---|
| Descriptive text ordering data | Spare relay Type: RSS113024 Orderno.: 4060120000 |
| Descriptive text technical data | Accessories and dimensional drawings: refer to the TERMSERIES Accessories page. |

Approvals

Approvals



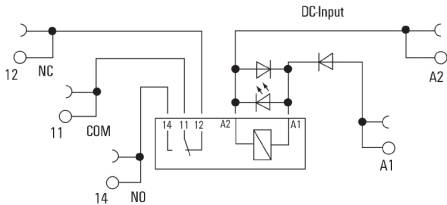
Downloads

| | |
|---------------------------|--|
| Declaration of Conformity | K438_10_12.pdf |
| PDF | Operating Instructions |
| | 3D Modell |

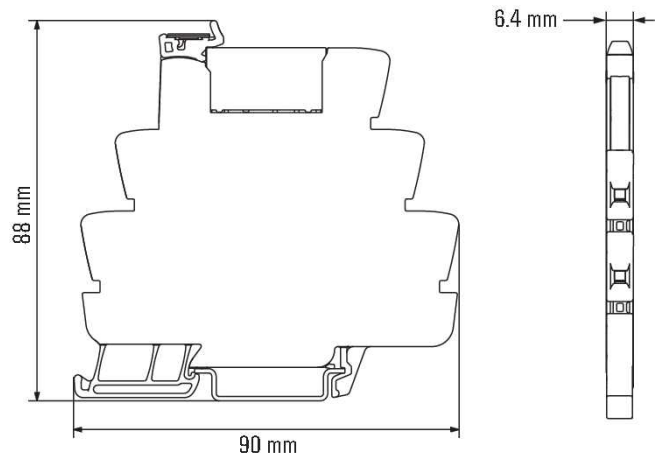
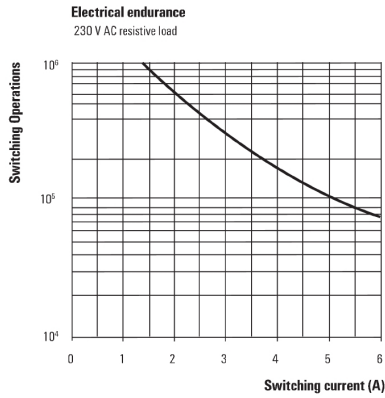
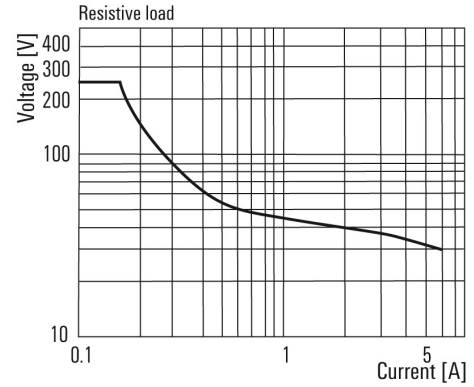
**TERMSERIES
TRS 24VDC 1CO**

Weidmüller Interface GmbH & Co. KG
 Klingenbergstraße 16
 D-32758 Detmold
 Germany
 Fon: +49 5231 14-0
 Fax: +49 5231 14-292083
 www.weidmueller.com

Zeichnungen



DC load breaking capacity



Datenblatt

**TERMSERIES
TRS 24VDC 1CO**

Weidmüller Interface GmbH & Co. KG
 Klingenbergstraße 16
 D-32758 Detmold
 Germany
 Fon: +49 5231 14-0
 Fax: +49 5231 14-292083
 www.weidmueller.com

Zeichnungen

