

TERMSERIES TRS 24VUC 1CO AU

Weidmüller Interface GmbH & Co. KG
 Klingenbergstraße 16
 D-32758 Detmold
 Germany
 Fon: +49 5231 14-0
 Fax: +49 5231 14-292083
 www.weidmueller.com



TERMSERIES relay module 1 CO, complete modules consisting of a relay and a base with AC/DC/UC coils, available in different versions:

- With screw connection
- AgNi contact with hard gold-plated contacts
- Optionally with multiple-voltage input: 24...230 V UC
- With various protective circuits in the input (free-wheel diode, RC element)
- Illuminated ejection lever

General ordering data

Type	TRS 24VUC 1CO AU
Order No.	1123010000
Version	TERMSERIES, Relays, No. of contacts: 1, CO contact, AgNi 5µm Au, Rated control voltage: 24 V UC ±10 %, Continuous current: 6 A, Screw connection
GTIN (EAN)	4032248905140
Qty.	10 pc(s).

TERMSERIES TRS 24VUC 1CO AU

Weidmüller Interface GmbH & Co. KG
 Klingenbergstraße 16
 D-32758 Detmold
 Germany
 Fon: +49 5231 14-0
 Fax: +49 5231 14-292083
 www.weidmueller.com

Technische Daten

Dimensions and weights

Width	6.4 mm	Height	90 mm
Depth	88 mm	Net weight	34 g

Temperatures

Humidity	5–95% rel. humidity, $T_u = 40^\circ\text{C}$, no condensation	Operating temperature	-40 °C...+60 °C
Storage temperature	-40 °C...+85 °C		

Input

Coil resistance		Protective circuit	Rectifier
Pull-inrop-out current, typ.	4 mA / 1.2 mA AC 4 mA / 1.2 mA DC	Rated control voltage	24 V UC $\pm 10\%$
Rated current AC	11.7 mA	Rated current DC	6.4 mA
Power rating	270 mVA / 154 mW	Pull-inrop-out typ.	16.5 V / 5.5 V AC 16.5 V / 5.5 V DC
Status indicator	Green LED		

Output

Rated switching voltage	250 V AC	Max. switching voltage, AC	250 V
Max. switching voltage, DC	250 V	Continuous current	6 A
Inrush current	6 A	Max. switching power	1500 VA
Switch-on delay	< 4 ms	Switch-off delay	< 1.2 ms
Min. switching power	1 V / 1 mA	Max. switching frequency at rated load	0.1 Hz

Contact data

No. of contacts	1	Contact design	CO contact
Contact material	AgNi 5 μm Au	Mechanical service life	5 x 10 ⁶ switching cycles

General data

Wire connection method	Screw connection	Humidity	5–95% rel. humidity, $T_u = 40^\circ\text{C}$, no condensation
UL 94 flammability rating	V-0		

Insulation coordination

Creepage and clearance distance input – output	≥ 5.5 mm	Rated voltage	300 V
Dielectric strength to mounting rail	4 kV _{eff} / 1 min.	Impulse withstand voltage	6 kV (1.2/50 μs)
Protection degree	IP 20	Pollution severity	2
Surge voltage category	III		

Other technical data

Version	Relay coupler	Protective circuit	Rectifier
Status indicator	Green LED		

Further details of approvals / standards

Standards	DIN EN 50178
-----------	--------------

Datenblatt

**TERMSERIES
TRS 24VUC 1CO AU**

Weidmüller Interface GmbH & Co. KG
Klingenbergstraße 16
D-32758 Detmold
Germany
Fon: +49 5231 14-0
Fax: +49 5231 14-292083
www.weidmueller.com

Technische Daten

Connection data

Clamping range, rated connection	1.5 mm ²	Clamping range, rated connection, max.	1.5 mm ²
Clamping range, rated connection, min.	0.14 mm ²	Stripping length, rated connection	8 mm
Tightening torque, max.	0.4 Nm	Wire connection method	Screw connection

Classifications

eClass 6.2	27-37-16-01	eClass 7.1	27-37-16-01
------------	-------------	------------	-------------

Product information

Descriptive text ordering data	Spare relay Type: RSS112024 Orderno.: 4061590000
Descriptive text technical data	Accessories and dimensional drawings: refer to the TERMSERIES Accessories page.

Approvals

Approvals



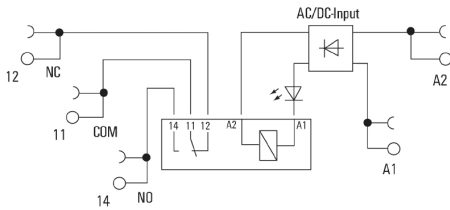
Downloads

Declaration of Conformity	K438_10_12.pdf
PDF	Operating Instructions
3D Modell	

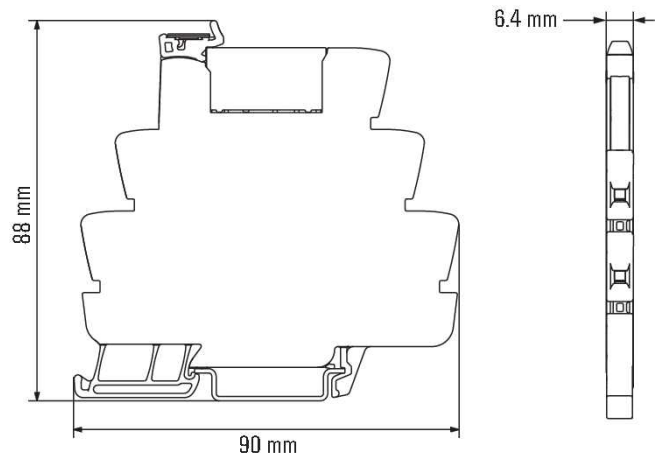
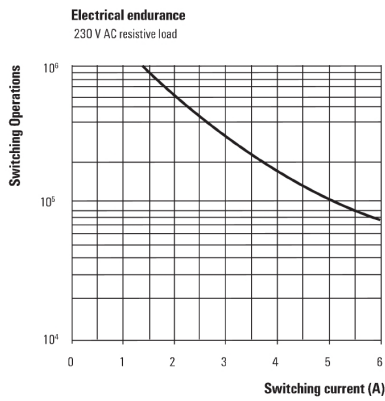
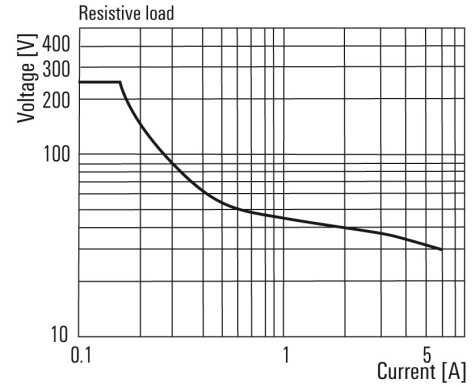
**TERMSERIES
TRS 24VUC 1CO AU**

Weidmüller Interface GmbH & Co. KG
 Klingenbergstraße 16
 D-32758 Detmold
 Germany
 Fon: +49 5231 14-0
 Fax: +49 5231 14-292083
 www.weidmueller.com

Zeichnungen



DC load breaking capacity



Datenblatt

**TERMSERIES
TRS 24VUC 1CO AU**

Weidmüller Interface GmbH & Co. KG
 Klingenbergstraße 16
 D-32758 Detmold
 Germany
 Fon: +49 5231 14-0
 Fax: +49 5231 14-292083
 www.weidmueller.com

Zeichnungen

