

## TERMSERIES TRZ 120VAC RC 1CO AU

**Weidmüller Interface GmbH & Co. KG**  
 Klingenbergstraße 16  
 D-32758 Detmold  
 Germany  
 Fon: +49 5231 14-0  
 Fax: +49 5231 14-292083  
 www.weidmueller.com



TERMSERIES relay module 1 CO, complete modules consisting of a relay and a base with AC/DC/UC coils, available in different versions:

- With tension-clamp connection
- AgNi contact with hard gold-plated contacts
- Optionally with multiple-voltage input: 24...230 V UC
- With various protective circuits in the input (free-wheel diode, RC element)
- Illuminated ejection lever

### General ordering data

Type	TRZ 120VAC RC 1CO AU
Order No.	<a href="#">1123190000</a>
Version	TERMSERIES, Relays, No. of contacts: 1, CO contact, AgNi 5µm Au, Rated control voltage: 120 V AC ±10 %, Continuous current: 6 A, Tension clamp connection
GTIN (EAN)	4032248905218
Qty.	10 pc(s).

## TERMSERIES TRZ 120VAC RC 1CO AU

**Weidmüller Interface GmbH & Co. KG**  
 Klingenbergstraße 16  
 D-32758 Detmold  
 Germany  
 Fon: +49 5231 14-0  
 Fax: +49 5231 14-292083  
 www.weidmueller.com

## Technische Daten

### Dimensions and weights

Width	6.4 mm	Height	90 mm
Depth	88 mm	Net weight	28.2 g

### Temperatures

Humidity	5–95% rel. humidity, T <sub>u</sub> = 40°C, no condensation	Operating temperature	-40 °C...+60 °C
Storage temperature	-40 °C...+85 °C		

### Input

Coil resistance		Protective circuit	Rectifier
Pull-inrop-out current, typ.	4 mA / 2.5 mA AC	Rated control voltage	120 V AC ± 10 %
Rated current AC	7 mA	Power rating	0.84 VA
Pull-inrop-out typ.	79 V / 60 V AC	Status indicator	Green LED
RC filter	94 Ω / 100 nF		

### Output

Rated switching voltage	250 V AC	Max. switching voltage, AC	250 V
Max. switching voltage, DC	250 V	Continuous current	6 A
Inrush current	6 A	Max. switching power	1500 VA
Switch-on delay	< 5.3 ms	Switch-off delay	< 4 ms
Min. switching power	1 V / 1 mA	Max. switching frequency at rated load	0.1 Hz

### Contact data

No. of contacts	1	Contact design	CO contact
Contact material	AgNi 5µm Au	Mechanical service life	5 x 10 <sup>6</sup> switching cycles

### General data

Wire connection method	Tension clamp connection	Humidity	5–95% rel. humidity, T <sub>u</sub> = 40°C, no condensation
UL 94 flammability rating	V-0		

### Insulation coordination

Creepage and clearance distance input – output	≥ 5.5 mm	Rated voltage	300 V
Dielectric strength to mounting rail	4 kV <sub>eff</sub> / 1 min.	Impulse withstand voltage	6 kV (1.2/50 µs)
Protection degree	IP 20	Pollution severity	2
Surge voltage category	III		

### Other technical data

Version	Relay coupler	Protective circuit	Rectifier
Status indicator	Green LED		

### Further details of approvals / standards

Standards	DIN EN 50178
-----------	--------------

**Datenblatt**

**TERMSERIES  
TRZ 120VAC RC 1CO AU**

**Weidmüller Interface GmbH & Co. KG**  
Klingenbergstraße 16  
D-32758 Detmold  
Germany  
Fon: +49 5231 14-0  
Fax: +49 5231 14-292083  
www.weidmueller.com

**Technische Daten**

**Connection data**

Clamping range, rated connection	1.5 mm <sup>2</sup>	Clamping range, rated connection, max.	1.5 mm <sup>2</sup>
Clamping range, rated connection, min.	0.14 mm <sup>2</sup>	Stripping length, rated connection	8 mm
Wire connection method	Tension clamp connection		

**Classifications**

eClass 6.2	27-37-16-01	eClass 7.1	27-37-16-01
------------	-------------	------------	-------------

**Product information**

Descriptive text ordering data	Spare relay Type: RSS112060 Orderno.: 4061600000
Descriptive text technical data	Accessories and dimensional drawings: refer to the TERMSERIES Accessories page.

**Approvals**

Approvals



**Downloads**

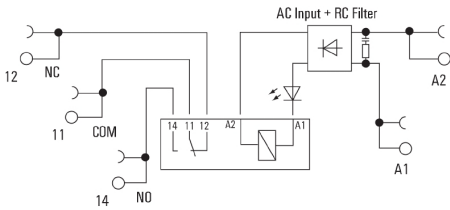
Declaration of Conformity	<a href="#">K438_10_12.pdf</a>
PDF	<a href="#">Operating Instructions</a>
<a href="#">3D Modell</a>	

Datenblatt

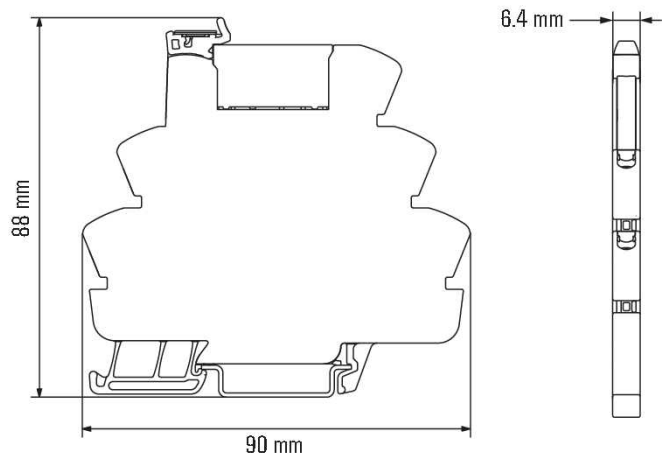
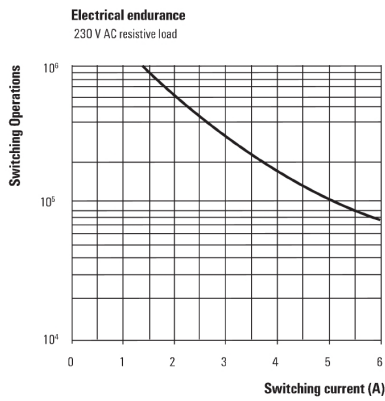
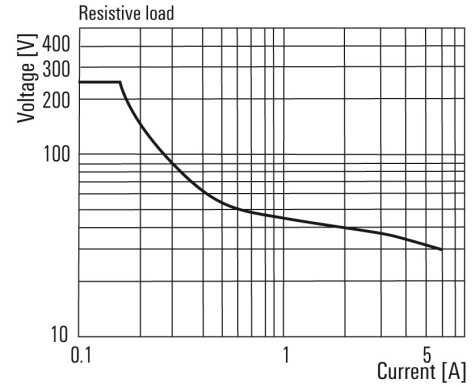
TERMSERIES  
TRZ 120VAC RC 1CO AU

Weidmüller Interface GmbH & Co. KG  
Klingenbergstraße 16  
D-32758 Detmold  
Germany  
Fon: +49 5231 14-0  
Fax: +49 5231 14-292083  
www.weidmueller.com

Zeichnungen



DC load breaking capacity



**Datenblatt**

**TERMSERIES  
TRZ 120VAC RC 1CO AU**

**Weidmüller Interface GmbH & Co. KG**  
 Klingenbergstraße 16  
 D-32758 Detmold  
 Germany  
 Fon: +49 5231 14-0  
 Fax: +49 5231 14-292083  
 www.weidmueller.com

**Zeichnungen**

