

**TERMSERIES**  
**TRS 48VUC 1CO EMPTY**

**Weidmüller Interface GmbH & Co. KG**  
Klingenbergstraße 16  
D-32758 Detmold  
Germany  
Fon: +49 5231 14-0  
Fax: +49 5231 14-292083  
www.weidmueller.com



TERMSERIES accessories include:

- Spare relay
- Base
- Partition plates
- Cross-connections
- Power-feed modules

**General ordering data**

Type	TRS 48VUC 1CO EMPTY
Order No.	<a href="#">1123270000</a>
Version	TERMSERIES, Relay base, Rated control voltage: 48 V UC ±10 %, Continuous current: 10 A, Screw connection
GTIN (EAN)	4032248905423
Qty.	10 pc(s).

## TERMSERIES TRS 48VUC 1CO EMPTY

**Weidmüller Interface GmbH & Co. KG**  
 Klingenbergstraße 16  
 D-32758 Detmold  
 Germany  
 Fon: +49 5231 14-0  
 Fax: +49 5231 14-292083  
 www.weidmueller.com

## Technische Daten

### Dimensions and weights

Width	6.4 mm	Height	90 mm
Depth	88 mm	Net weight	34 g

### Temperatures

Operating temperature	-40 °C...+60 °C	Storage temperature	-40 °C...+85 °C
-----------------------	-----------------	---------------------	-----------------

### Input

Coil resistance	Protective circuit	Rectifier
Pull-inrop-out current, typ.	Rated control voltage	48 V UC ±10 %
Pull-inrop-out typ.	Status indicator	Green LED

### Output

Rated switching voltage	250 V AC	Continuous current	10 A
-------------------------	----------	--------------------	------

### General data

Wire connection method	Screw connection	UL 94 flammability rating	V-0
Wire cross-section, solid, max.	2.5 mm <sup>2</sup>		

### Insulation coordination

Protection degree	IP 20
-------------------	-------

### Other technical data

Protective circuit	Rectifier	Status indicator	Green LED
--------------------	-----------	------------------	-----------

### Further details of approvals / standards

Standards	DIN EN 50178
-----------	--------------

### Connection data

Clamping range, rated connection	1.5 mm <sup>2</sup>	Clamping range, rated connection, max.	1.5 mm <sup>2</sup>
Clamping range, rated connection, min.	0.14 mm <sup>2</sup>	Conductor cross-section, flexible, AEH (DIN 46228-1), max.	1.5 mm <sup>2</sup>
Conductor cross-section, flexible, AEH (DIN 46228-1), min.	0.25 mm <sup>2</sup>	Stripping length, rated connection	8 mm
Tightening torque, max.	0.4 Nm	Wire connection cross section AWG, max.	AWG 14
Wire connection cross section AWG, min.	AWG 26	Wire connection cross section, finely stranded, max.	1.5 mm <sup>2</sup>
Wire connection cross section, finely stranded, two clampable wires, min.	0.5 mm <sup>2</sup>	Wire connection method	Screw connection
Wire cross-section, finely stranded, max. (AWG)	AWG 14	Wire cross-section, finely stranded, min. (AWG)	AWG 26
Wire cross-section, finely stranded, two clampable wires, max.	1 mm <sup>2</sup>	Wire cross-section, solid, max.	2.5 mm <sup>2</sup>
Wire cross-section, solid, min.	0.14 mm <sup>2</sup>		

**Datenblatt****TERMSERIES  
TRS 48VUC 1CO EMPTY****Weidmüller Interface GmbH & Co. KG**  
Klingenbergstraße 16  
D-32758 Detmold  
Germany  
Fon: +49 5231 14-0  
Fax: +49 5231 14-292083  
www.weidmueller.com**Technische Daten****Classifications**

eClass 6.2	27-37-16-01	eClass 7.1	27-37-16-01
------------	-------------	------------	-------------

**Approvals**

Approvals

**Downloads**

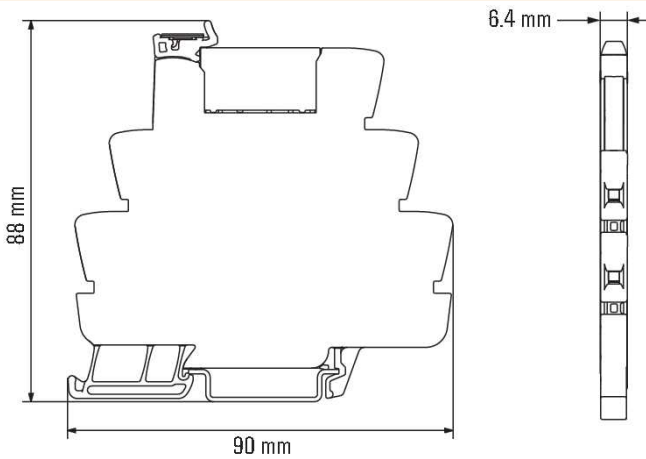
Declaration of Conformity	<a href="#">K438_10_12.pdf</a>
PDF	<a href="#">Operating Instructions</a>
<a href="#">3D Modell</a>	

**Datenblatt**

**TERMSERIES  
TRS 48VUC 1CO EMPTY**

**Weidmüller Interface GmbH & Co. KG**  
Klingenbergstraße 16  
D-32758 Detmold  
Germany  
Fon: +49 5231 14-0  
Fax: +49 5231 14-292083  
www.weidmueller.com

**Zeichnungen**



**Datenblatt**

**TERMSERIES  
TRS 48VUC 1CO EMPTY**

**Weidmüller Interface GmbH & Co. KG**  
 Klingenbergstraße 16  
 D-32758 Detmold  
 Germany  
 Fon: +49 5231 14-0  
 Fax: +49 5231 14-292083  
 www.weidmueller.com

**Zeichnungen**

