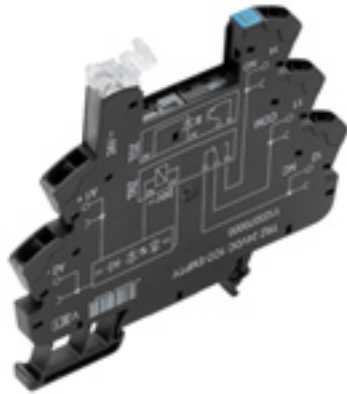


TERMSERIES TRZ 120VAC RC 1CO EMPTY

Weidmüller Interface GmbH & Co. KG
 Klingenbergstraße 16
 D-32758 Detmold
 Germany
 Fon: +49 5231 14-0
 Fax: +49 5231 14-292083
 www.weidmueller.com



TERMSERIES accessories include:

- Spare relay
- Base
- Partition plates
- Cross-connections
- Power-feed modules

General ordering data

| | |
|------------|---|
| Type | TRZ 120VAC RC 1CO EMPTY |
| Order No. | 1123430000 |
| Version | TERMSERIES, Relay base, Rated control voltage: 120 V AC $\pm 10\%$, Continuous current: 10 A, Tension clamp connection |
| GTIN (EAN) | 4032248905188 |
| Qty. | 10 pc(s). |

TERMSERIES TRZ 120VAC RC 1CO EMPTY

Weidmüller Interface GmbH & Co. KG
 Klingenbergstraße 16
 D-32758 Detmold
 Germany
 Fon: +49 5231 14-0
 Fax: +49 5231 14-292083
 www.weidmueller.com

Technische Daten

Dimensions and weights

| | | | |
|-------|--------|------------|--------|
| Width | 6.4 mm | Height | 90 mm |
| Depth | 88 mm | Net weight | 23.6 g |

Temperatures

| | | | |
|-----------------------|-----------------|---------------------|-----------------|
| Operating temperature | -40 °C...+60 °C | Storage temperature | -40 °C...+85 °C |
|-----------------------|-----------------|---------------------|-----------------|

Input

| | | | |
|------------------------------|---------------|-----------------------|----------------|
| Coil resistance | | Protective circuit | Rectifier |
| Pull-inrop-out current, typ. | | Rated control voltage | 120 V AC ±10 % |
| Pull-inrop-out typ. | | Status indicator | Green LED |
| RC filter | 94 Ω / 100 nF | | |

Output

| | | | |
|-------------------------|----------|--------------------|------|
| Rated switching voltage | 250 V AC | Continuous current | 10 A |
|-------------------------|----------|--------------------|------|

General data

| | | | |
|---------------------------------|--------------------------|---------------------------|-----|
| Wire connection method | Tension clamp connection | UL 94 flammability rating | V-0 |
| Wire cross-section, solid, max. | 1.5 mm ² | | |

Insulation coordination

| | |
|-------------------|-------|
| Protection degree | IP 20 |
|-------------------|-------|

Other technical data

| | | | |
|--------------------|-----------|------------------|-----------|
| Protective circuit | Rectifier | Status indicator | Green LED |
|--------------------|-----------|------------------|-----------|

Further details of approvals / standards

| | |
|-----------|--------------|
| Standards | DIN EN 50178 |
|-----------|--------------|

Connection data

| | | | |
|--|--------------------------|---|----------------------|
| Clamping range, rated connection | 1.5 mm ² | Clamping range, rated connection, max. | 1.5 mm ² |
| Clamping range, rated connection, min. | 0.14 mm ² | Conductor cross-section, flexible, AEH (DIN 46228-1), max. | 1.5 mm ² |
| Conductor cross-section, flexible, AEH (DIN 46228-1), min. | 0.14 mm ² | Stripping length, rated connection | 8 mm |
| Wire connection cross section AWG, max. | AWG 14 | Wire connection cross section AWG, min. | AWG 26 |
| Wire connection cross section, finely stranded, max. | 1.5 mm ² | Wire connection cross section, finely stranded, two clampable wires, min. | 0.5 mm ² |
| Wire connection method | Tension clamp connection | Wire cross-section, finely stranded, max. (AWG) | AWG 14 |
| Wire cross-section, finely stranded, min. (AWG) | AWG 26 | Wire cross-section, finely stranded, two clampable wires, max. | 1 mm ² |
| Wire cross-section, solid, max. | 1.5 mm ² | Wire cross-section, solid, min. | 0.14 mm ² |

Classifications

| | | | |
|------------|-------------|------------|-------------|
| eClass 6.2 | 27-37-16-01 | eClass 7.1 | 27-37-16-01 |
|------------|-------------|------------|-------------|

Erstellungs-Datum December 17, 2013 10:24:08 AM CET

Datenblatt**TERMSERIES
TRZ 120VAC RC 1CO EMPTY****Weidmüller Interface GmbH & Co. KG**
Klingenbergstraße 16
D-32758 Detmold
Germany
Fon: +49 5231 14-0
Fax: +49 5231 14-292083
www.weidmueller.com**Technische Daten****Approvals**

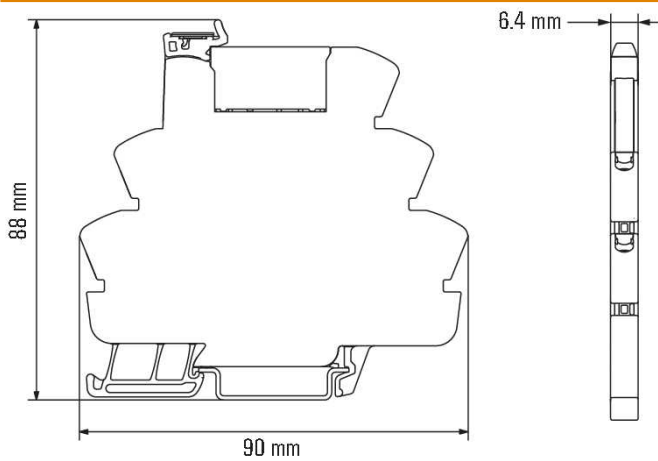
Approvals

**Downloads**

| | |
|---------------------------|--|
| Declaration of Conformity | K438_10_12.pdf |
| PDF | Operating Instructions |
| 3D Modell | |

Datenblatt**TERMSERIES
TRZ 120VAC RC 1CO EMPTY**

Weidmüller Interface GmbH & Co. KG
Klingenbergstraße 16
D-32758 Detmold
Germany
Fon: +49 5231 14-0
Fax: +49 5231 14-292083
www.weidmueller.com

Zeichnungen

**TERMSERIES
TRZ 120VAC RC 1CO EMPTY**

Weidmüller Interface GmbH & Co. KG
 Klingenbergstraße 16
 D-32758 Detmold
 Germany
 Fon: +49 5231 14-0
 Fax: +49 5231 14-292083
 www.weidmueller.com

Zeichnungen

