

## TERMSERIES TRZ 24VDC 2CO EMPTY

**Weidmüller Interface GmbH & Co. KG**  
 Klingenbergstraße 16  
 D-32758 Detmold  
 Germany  
 Fon: +49 5231 14-0  
 Fax: +49 5231 14-292083  
 www.weidmueller.com



TERMSERIES accessories include:

- Spare relay
- Base
- Partition plates
- Cross-connections
- Power-feed modules

### General ordering data

|            |  |
|------------|--|
| Type       | TRZ 24VDC 2CO EMPTY  |
| Order No.  | <a href="#">1124100000</a>   |
| Version    | TERMSERIES, Relay base, Rated control voltage: 24 V DC $\pm 20\%$ , Continuous current: 10 A, Tension clamp connection |
| GTIN (EAN) | 4032248906048  |
| Qty.       | 10 pc(s).  |

## TERMSERIES TRZ 24VDC 2CO EMPTY

**Weidmüller Interface GmbH & Co. KG**  
 Klingenbergstraße 16  
 D-32758 Detmold  
 Germany  
 Fon: +49 5231 14-0  
 Fax: +49 5231 14-292083  
 www.weidmueller.com

## Technische Daten

### Dimensions and weights

|       |         |            |       |
|-------|---------|------------|-------|
| Width | 12.8 mm | Height     | 90 mm |
| Depth | 88 mm   | Net weight | 46 g  |

### Temperatures

|                       |                 |                     |                 |
|-----------------------|-----------------|---------------------|-----------------|
| Operating temperature | -40 °C...+60 °C | Storage temperature | -40 °C...+85 °C |
|-----------------------|-----------------|---------------------|-----------------|

### Input

|                              |                       |  |
|------------------------------|-----------------------|--|
| Coil resistance              | Protective circuit    | Integrated free-wheel diode, Reverse polarity protection |
| Pull-inrop-out current, typ. | Rated control voltage | 24 V DC ±20 %  |
| Pull-inrop-out typ.          | Status indicator      | Green LED  |

### Output

|                         |          |                    |      |
|-------------------------|----------|--------------------|------|
| Rated switching voltage | 250 V AC | Continuous current | 10 A |
|-------------------------|----------|--------------------|------|

### General data

|                                 |                          |                           |     |
|---------------------------------|--------------------------|---------------------------|-----|
| Wire connection method          | Tension clamp connection | UL 94 flammability rating | V-0 |
| Wire cross-section, solid, max. | 1.5 mm <sup>2</sup>      |                           |     |

### Insulation coordination

|                   |       |
|-------------------|-------|
| Protection degree | IP 20 |
|-------------------|-------|

### Other technical data

|                    |  |                  |           |
|--------------------|--|------------------|-----------|
| Protective circuit | Integrated free-wheel diode, Reverse polarity protection | Status indicator | Green LED |
|--------------------|--|------------------|-----------|

### Further details of approvals / standards

|           |              |
|-----------|--------------|
| Standards | DIN EN 50178 |
|-----------|--------------|

### Connection data

|   |                      |  |                          |
|---|----------------------|--|--------------------------|
| Clamping range, rated connection  | 1.5 mm <sup>2</sup>  | Clamping range, rated connection, max.                     | 1.5 mm <sup>2</sup>      |
| Clamping range, rated connection, min.                                    | 0.14 mm <sup>2</sup> | Conductor cross-section, flexible, AEH (DIN 46228-1), max. | 1.5 mm <sup>2</sup>      |
| Conductor cross-section, flexible, AEH (DIN 46228-1), min.                | 0.14 mm <sup>2</sup> | Pitch in mm (P)  | 5 mm                     |
| Stripping length, rated connection  | 8 mm                 | Wire connection cross section AWG, max.                    | AWG 14                   |
| Wire connection cross section AWG, min.                                   | AWG 26               | Wire connection cross section, finely stranded, max.       | 1.5 mm <sup>2</sup>      |
| Wire connection cross section, finely stranded, two clampable wires, min. | 0.5 mm <sup>2</sup>  | Wire connection method                                     | Tension clamp connection |
| Wire cross-section, finely stranded, two clampable wires, max.            | 1 mm <sup>2</sup>    | Wire cross-section, solid, max.                            | 1.5 mm <sup>2</sup>      |
| Wire cross-section, solid, min.   | 0.14 mm <sup>2</sup> |  |                          |

**Datenblatt****TERMSERIES  
TRZ 24VDC 2CO EMPTY****Weidmüller Interface GmbH & Co. KG**  
Klingenbergstraße 16  
D-32758 Detmold  
Germany  
Fon: +49 5231 14-0  
Fax: +49 5231 14-292083  
www.weidmueller.com**Technische Daten****Classifications**

|            |             |            |             |
|------------|-------------|------------|-------------|
| eClass 6.2 | 27-37-16-01 | eClass 7.1 | 27-37-16-01 |
|------------|-------------|------------|-------------|

**Approvals**

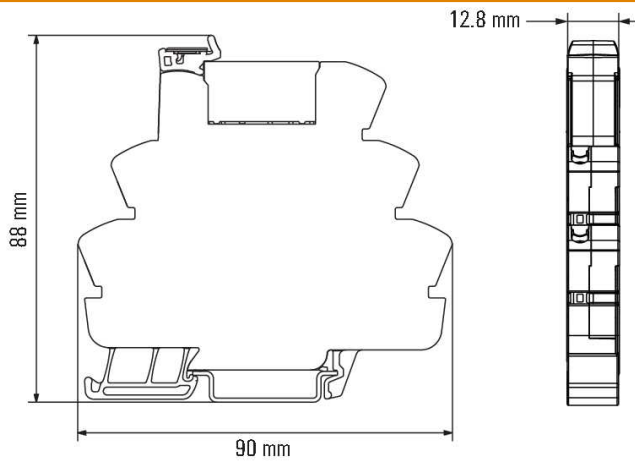
Approvals

**Downloads**

|                           |  |
|---------------------------|--|
| Declaration of Conformity | <a href="#">K474_08_12.pdf</a>         |
| PDF                       | <a href="#">Operating Instructions</a> |
| <a href="#">3D Modell</a> |  |

**TERMSERIES  
TRZ 24VDC 2CO EMPTY**

**Weidmüller Interface GmbH & Co. KG**  
Klingenbergstraße 16  
D-32758 Detmold  
Germany  
Fon: +49 5231 14-0  
Fax: +49 5231 14-292083  
[www.weidmueller.com](http://www.weidmueller.com)

**Zeichnungen**

**Datenblatt**

**TERMSERIES  
TRZ 24VDC 2CO EMPTY**

**Weidmüller Interface GmbH & Co. KG**  
 Klingenbergstraße 16  
 D-32758 Detmold  
 Germany  
 Fon: +49 5231 14-0  
 Fax: +49 5231 14-292083  
 www.weidmueller.com

**Zeichnungen**

