

**TERMSERIES**  
**TOS 24-230VUC EMPTY**

**Weidmüller Interface GmbH & Co. KG**  
Klingenbergstraße 16  
D-32758 Detmold  
Germany  
Fon: +49 5231 14-0  
Fax: +49 5231 14-292083  
www.weidmueller.com



TERMSERIES accessories include:

- Spare relay
- Base
- Partition plates
- Cross-connections
- Power-feed modules

**General ordering data**

Type	TOS 24-230VUC EMPTY
Order No.	<a href="#">1127730000</a>
Version	TERMSERIES, Relay base, Rated control voltage: 24...230 V UC ±10 % , Rated switching voltage: 250 V AC, Screw connection
GTIN (EAN)	4032248909254
Qty.	10 pc(s).

## TERMSERIES TOS 24-230VUC EMPTY

**Weidmüller Interface GmbH & Co. KG**  
 Klingenbergstraße 16  
 D-32758 Detmold  
 Germany  
 Fon: +49 5231 14-0  
 Fax: +49 5231 14-292083  
 www.weidmueller.com

## Technische Daten

### Dimensions and weights

Width	12.8 mm	Height	90 mm
Depth	88 mm	Net weight	48 g

### Temperatures

Operating temperature	-40 °C...+60 °C	Storage temperature	-40 °C...+85 °C
-----------------------	-----------------	---------------------	-----------------

### control side

Cut-in dropout voltage		Rated control voltage	24...230 V UC ±10 %
------------------------	--	-----------------------	---------------------

### Load side

Rated switching voltage	250 V AC	Continuous current	16 A
-------------------------	----------	--------------------	------

### General data

Wire connection method	Screw connection	UL 94 flammability rating	V-0
Standards	DIN EN 50178	Wire cross-section, solid, max.	2.5 mm <sup>2</sup>
Wire connection cross section, finely stranded, max.	1.5 mm <sup>2</sup>		

### Further details of approvals

Standards	DIN EN 50178
-----------	--------------

### Connection data

Clamping range, rated connection	1.5 mm <sup>2</sup>	Clamping range, rated connection, max.	1.5 mm <sup>2</sup>
Clamping range, rated connection, min.	0.14 mm <sup>2</sup>	Conductor cross-section, flexible, AEH (DIN 46228-1), max.	1.5 mm <sup>2</sup>
Conductor cross-section, flexible, AEH (DIN 46228-1), min.	0.25 mm <sup>2</sup>	Pitch in mm (P)	5 mm
Stripping length, rated connection	8 mm	Tightening torque, max.	0.4 Nm
Wire connection cross section AWG, max.	AWG 14	Wire connection cross section AWG, min.	AWG 26
Wire connection cross section, finely stranded, max.	1.5 mm <sup>2</sup>	Wire connection cross section, finely stranded, two clampable wires, min.	0.5 mm <sup>2</sup>
Wire connection method	Screw connection	Wire cross-section, finely stranded, two clampable wires, max.	1 mm <sup>2</sup>
Wire cross-section, solid, max.	2.5 mm <sup>2</sup>	Wire cross-section, solid, min.	0.14 mm <sup>2</sup>

### Classifications

eClass 6.2	27-27-09-90	eClass 7.1	27-27-09-90
------------	-------------	------------	-------------

### Approvals

Approvals



**Datenblatt****TERMSERIES  
TOS 24-230VUC EMPTY****Weidmüller Interface GmbH & Co. KG**  
Klingenbergstraße 16  
D-32758 Detmold  
Germany  
Fon: +49 5231 14-0  
Fax: +49 5231 14-292083  
www.weidmueller.com**Technische Daten****Downloads**

---

Declaration of Conformity	<a href="#">K474_08_12.pdf</a>
PDF	<a href="#">Operating Instructions</a>
<a href="#">3D Modell</a>	

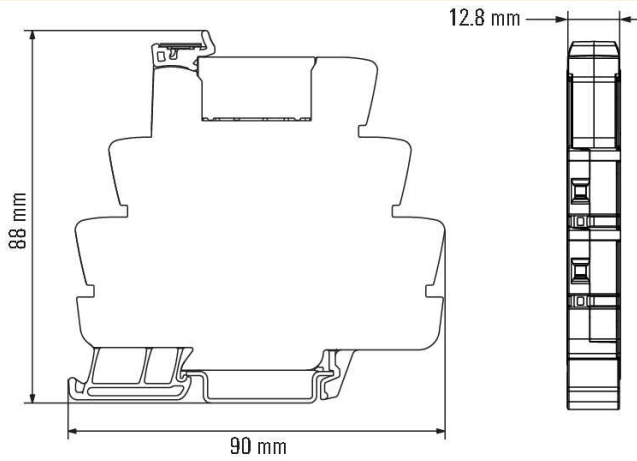
---

**Datenblatt**

**TERMSERIES  
TOS 24-230VUC EMPTY**

**Weidmüller Interface GmbH & Co. KG**  
Klingenbergstraße 16  
D-32758 Detmold  
Germany  
Fon: +49 5231 14-0  
Fax: +49 5231 14-292083  
www.weidmueller.com

**Zeichnungen**



**TERMSERIES  
TOS 24-230VUC EMPTY**

**Weidmüller Interface GmbH & Co. KG**  
 Klingenbergstraße 16  
 D-32758 Detmold  
 Germany  
 Fon: +49 5231 14-0  
 Fax: +49 5231 14-292083  
 www.weidmueller.com

**Zeichnungen**

