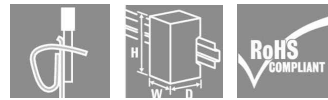


TERMSERIES TOZ 24VDC EMPTY

Weidmüller Interface GmbH & Co. KG
 Klingenbergstraße 16
 D-32758 Detmold
 Germany
 Fon: +49 5231 14-0
 Fax: +49 5231 14-292083
 www.weidmueller.com



TERMSERIES accessories include:

- Spare relay
- Base
- Partition plates
- Cross-connections
- Power-feed modules

General ordering data

Type	TOZ 24VDC EMPTY
Order No.	1127740000
Version	TERMSERIES, Relay base, Rated control voltage: 24 V DC $\pm 20\%$, Rated switching voltage: 250 V AC, Tension clamp connection
GTIN (EAN)	4032248909421
Qty.	10 pc(s).

Datenblatt

**TERMSERIES
TOZ 24VDC EMPTY**

Weidmüller Interface GmbH & Co. KG
 Klingenbergstraße 16
 D-32758 Detmold
 Germany
 Fon: +49 5231 14-0
 Fax: +49 5231 14-292083
 www.weidmueller.com

Technische Daten

Dimensions and weights

Width	12.8 mm	Height	90 mm
Depth	88 mm	Net weight	28 g

Temperatures

Operating temperature	-40 °C...+60 °C	Storage temperature	-40 °C...+85 °C
-----------------------	-----------------	---------------------	-----------------

control side

Cut-in dropout voltage	Rated control voltage	24 V DC ±20 %
------------------------	-----------------------	---------------

Load side

Rated switching voltage	250 V AC	Continuous current	16 A
-------------------------	----------	--------------------	------

General data

Wire connection method	Tension clamp connection	UL 94 flammability rating	V-0
Standards	DIN EN 50178	Wire cross-section, solid, max.	1.5 mm ²
Wire connection cross section, finely stranded, max.	1.5 mm ²		

Further details of approvals

Standards	DIN EN 50178
-----------	--------------

Connection data

Clamping range, rated connection	1.5 mm ²	Clamping range, rated connection, max.	1.5 mm ²
Clamping range, rated connection, min.	0.14 mm ²	Conductor cross-section, flexible, AEH (DIN 46228-1), max.	1.5 mm ²
Conductor cross-section, flexible, AEH (DIN 46228-1), min.	0.25 mm ²	Pitch in mm (P)	5 mm
Stripping length, rated connection	8 mm	Wire connection cross section AWG, max.	AWG 14
Wire connection cross section AWG, min.	AWG 26	Wire connection cross section, finely stranded, max.	1.5 mm ²
Wire connection cross section, finely stranded, two clampable wires, min.	0.5 mm ²	Wire connection method	Tension clamp connection
Wire cross-section, finely stranded, two clampable wires, max.	1 mm ²	Wire cross-section, solid, max.	1.5 mm ²
Wire cross-section, solid, min.	0.14 mm ²		

Classifications

eClass 6.2	27-27-09-90	eClass 7.1	27-27-09-90
------------	-------------	------------	-------------

Approvals

Approvals



Datenblatt**TERMSERIES
TOZ 24VDC EMPTY****Weidmüller Interface GmbH & Co. KG**
Klingenbergstraße 16
D-32758 Detmold
Germany
Fon: +49 5231 14-0
Fax: +49 5231 14-292083
www.weidmueller.com**Technische Daten****Downloads**

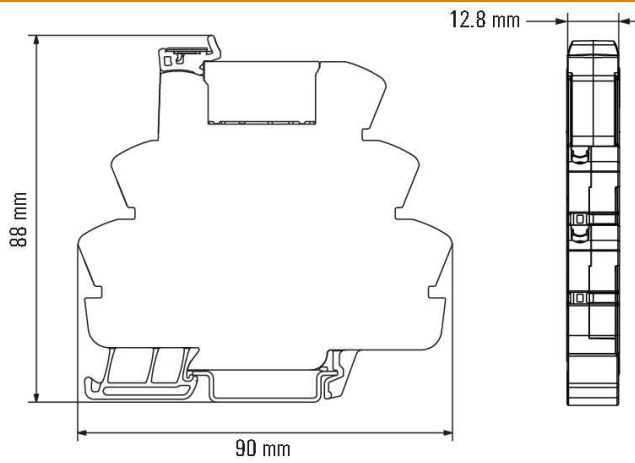
Declaration of Conformity	K474_08_12.pdf
PDF	Operating Instructions
3D Modell	

Datenblatt

**TERMSERIES
TOZ 24VDC EMPTY**

Weidmüller Interface GmbH & Co. KG
Klingenbergstraße 16
D-32758 Detmold
Germany
Fon: +49 5231 14-0
Fax: +49 5231 14-292083
www.weidmueller.com

Zeichnungen



Datenblatt

**TERMSERIES
TOZ 24VDC EMPTY**

Weidmüller Interface GmbH & Co. KG
 Klingenbergstraße 16
 D-32758 Detmold
 Germany
 Fon: +49 5231 14-0
 Fax: +49 5231 14-292083
 www.weidmueller.com

Zeichnungen

