

**TERMSERIES
TOZ 24-230VUC EMPTY**

Weidmüller Interface GmbH & Co. KG
 Klingenbergstraße 16
 D-32758 Detmold
 Germany
 Fon: +49 5231 14-0
 Fax: +49 5231 14-292083
 www.weidmueller.com



TERMSERIES accessories include:

- Spare relay
- Base
- Partition plates
- Cross-connections
- Power-feed modules

General ordering data

| | |
|------------|--|
| Type | TOZ 24-230VUC EMPTY |
| Order No. | 1127750000 |
| Version | TERMSERIES, Relay base, Rated control voltage: 24...230 V UC ±10 % , Rated switching voltage: 250 V AC, Tension clamp connection |
| GTIN (EAN) | 4032248909223 |
| Qty. | 10 pc(s). |

Datenblatt

**TERMSERIES
TOZ 24-230VUC EMPTY**

Weidmüller Interface GmbH & Co. KG
 Klingenbergstraße 16
 D-32758 Detmold
 Germany
 Fon: +49 5231 14-0
 Fax: +49 5231 14-292083
 www.weidmueller.com

Technische Daten

Dimensions and weights

| | | | |
|-------|---------|------------|-------|
| Width | 12.8 mm | Height | 90 mm |
| Depth | 88 mm | Net weight | 28 g |

Temperatures

| | | | |
|-----------------------|-----------------|---------------------|-----------------|
| Operating temperature | -40 °C...+60 °C | Storage temperature | -40 °C...+85 °C |
|-----------------------|-----------------|---------------------|-----------------|

control side

| | | |
|------------------------|-----------------------|---------------------|
| Cut-in dropout voltage | Rated control voltage | 24...230 V UC ±10 % |
|------------------------|-----------------------|---------------------|

Load side

| | | | |
|-------------------------|----------|--------------------|------|
| Rated switching voltage | 250 V AC | Continuous current | 16 A |
|-------------------------|----------|--------------------|------|

General data

| | | | |
|--|--------------------------|---------------------------------|---------------------|
| Wire connection method | Tension clamp connection | UL 94 flammability rating | V-0 |
| Standards | DIN EN 50178 | Wire cross-section, solid, max. | 1.5 mm ² |
| Wire connection cross section, finely stranded, max. | 1.5 mm ² | | |

Further details of approvals

| | |
|-----------|--------------|
| Standards | DIN EN 50178 |
|-----------|--------------|

Connection data

| | | | |
|---|----------------------|--|--------------------------|
| Clamping range, rated connection | 1.5 mm ² | Clamping range, rated connection, max. | 1.5 mm ² |
| Clamping range, rated connection, min. | 0.14 mm ² | Conductor cross-section, flexible, AEH (DIN 46228-1), max. | 1.5 mm ² |
| Conductor cross-section, flexible, AEH (DIN 46228-1), min. | 0.25 mm ² | Pitch in mm (P) | 5 mm |
| Stripping length, rated connection | 8 mm | Wire connection cross section AWG, max. | AWG 14 |
| Wire connection cross section AWG, min. | AWG 26 | Wire connection cross section, finely stranded, max. | 1.5 mm ² |
| Wire connection cross section, finely stranded, two clampable wires, min. | 0.5 mm ² | Wire connection method | Tension clamp connection |
| Wire cross-section, finely stranded, two clampable wires, max. | 1 mm ² | Wire cross-section, solid, max. | 1.5 mm ² |
| Wire cross-section, solid, min. | 0.14 mm ² | | |

Classifications

| | | | |
|------------|-------------|------------|-------------|
| eClass 6.2 | 27-27-09-90 | eClass 7.1 | 27-27-09-90 |
|------------|-------------|------------|-------------|

Approvals

Approvals

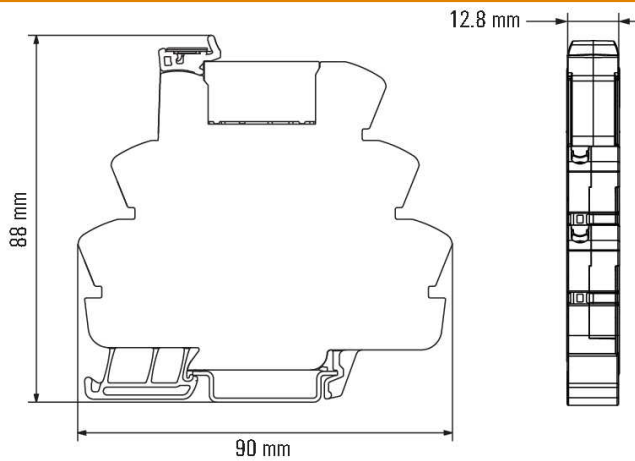


Datenblatt**TERMSERIES
TOZ 24-230VUC EMPTY****Weidmüller Interface GmbH & Co. KG**
Klingenbergstraße 16
D-32758 Detmold
Germany
Fon: +49 5231 14-0
Fax: +49 5231 14-292083
www.weidmueller.com**Technische Daten****Downloads**

| | |
|---------------------------|--|
| Declaration of Conformity | K474_08_12.pdf |
| PDF | Operating Instructions |
| 3D Modell | |

Datenblatt**TERMSERIES
TOZ 24-230VUC EMPTY**

Weidmüller Interface GmbH & Co. KG
Klingenbergstraße 16
D-32758 Detmold
Germany
Fon: +49 5231 14-0
Fax: +49 5231 14-292083
www.weidmueller.com

Zeichnungen

Datenblatt

**TERMSERIES
TOZ 24-230VUC EMPTY**

Weidmüller Interface GmbH & Co. KG
 Klingenbergstraße 16
 D-32758 Detmold
 Germany
 Fon: +49 5231 14-0
 Fax: +49 5231 14-292083
 www.weidmueller.com

Zeichnungen

