

# Technical Manual



# JBL PRX418S

## SPECIFICATIONS

### ACOUSTIC & ELECTRICAL SPECIFICATIONS:

- Nominal Impedance: 8 Ohms
- System Power Rating, Pink Noise: 800W / 1600W / 3200W, 2hrs (Continuous/Program/Peak)
- Frequency Response ( $\pm 3$  dB): 52 Hz – 120 Hz
- Frequency Range ( $-10$  dB): 35 Hz – 250 Hz
- Maximum SPL: 124 dB SPL continuous (130 dB SPL peak)
- System Sensitivity: 95 dB SPL, 100 dB SPL 1 watt @ 1 meter
- Crossover Frequency: 80 Hz 24 - 48 dB / octave 35 Hz 24 dB / octave subsonic high pass

### SYSTEM COMPONENTS:

- Cabinet: Enclosure (Not For Sale)
- Grille: 444737-002
- Low Frequency Transducer: Selenium 18SWS1000 457 mm (18 in) woofer
- D.C. Resistance: 5.8 ohm
- Input Cup Assembly: 5011409

### AURAL SWEEP TEST SPECIFICATIONS:

- A. System. Aural Sweep Test: 7V Input, 30 Hz to 300 Hz
- B. L.F. Aural Sweep Test: 7V Input, 30 Hz to 300 Hz (?)

### PHYSICAL SPECIFICATIONS:

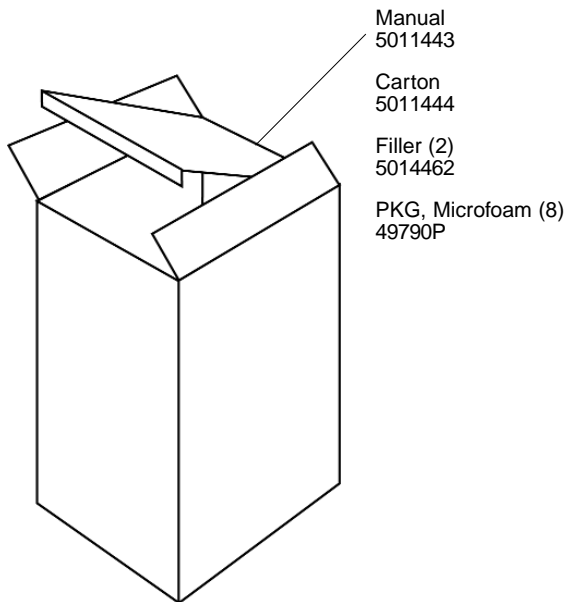
- Enclosure Dimensions: 678 x 536 x 615 mm D (26.7 x 21.1 x 24.2 in. D)
- Net Weight: 79 lb (36 kg.)

### WARRANTY INFORMATION:

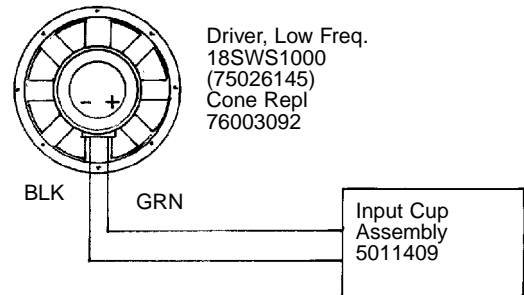
- Refer to Warranty Statement packed with each product.

## PACKAGE

Warranty Card 59660

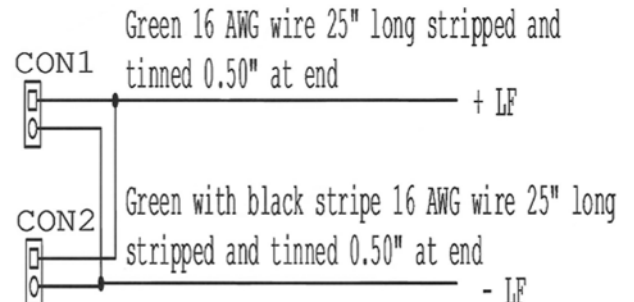


## WIRING DIAGRAM



Input Cup Assembly Schematic - 5011409

Neutrik Connector (2) NLJ2MD-V



NOTE: INDIVIDUAL PARTS FOR THE ABOVE CROSSOVER ARE NOT AVAILABLE. A COMPLETE REPLACEMENT ASSEMBLY SHOULD BE ORDERED.

# JBL PRX418S

## COMPONENT EXPLODED VIEW

