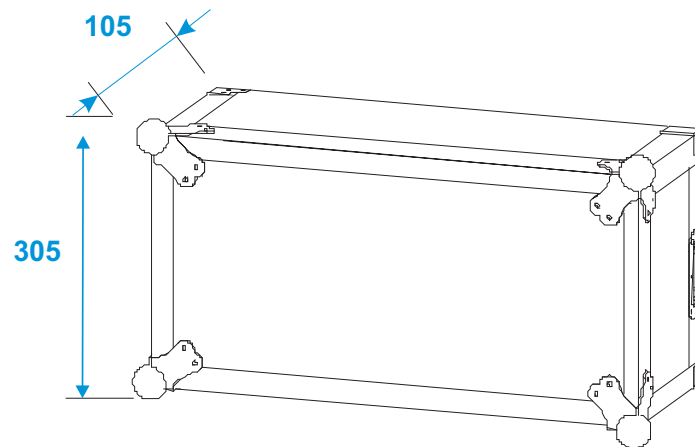
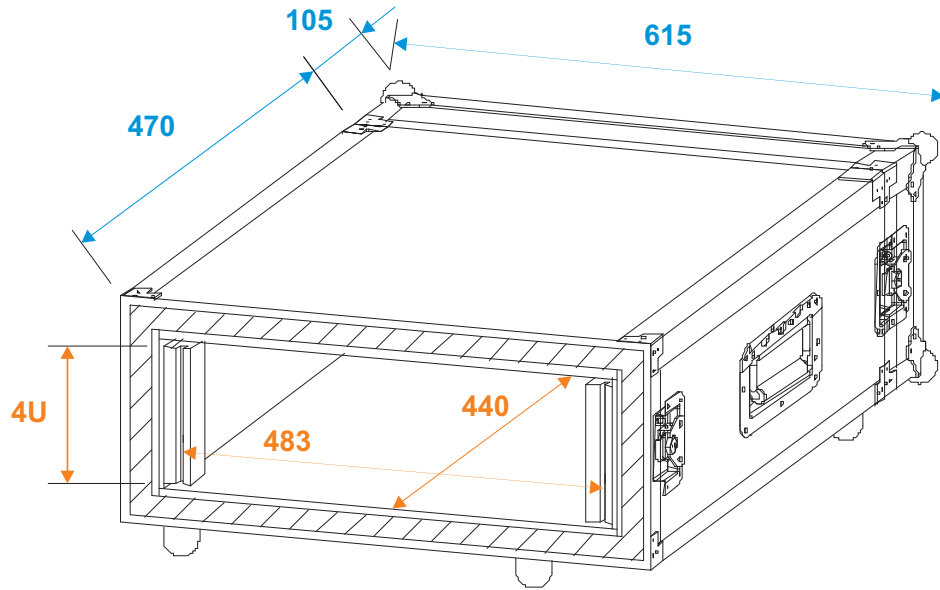




# Flightcase

## 30109710 AMPLIFIER RACK SP-2 4U



\*all dimensions in millimeters