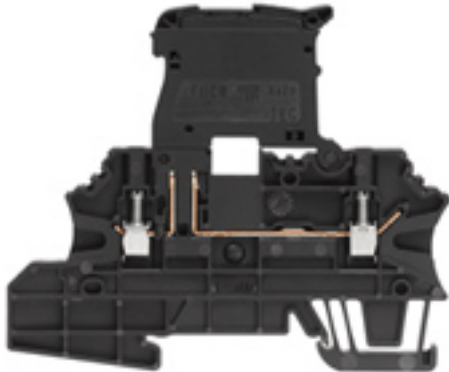


**W-Series, WMF  
WMF 2.5 FU SW**

**Weidmüller Interface GmbH & Co. KG**  
Klingenbergstraße 16  
D-32758 Detmold  
Germany  
Fon: +49 5231 14-0  
Fax: +49 5231 14-292083  
www.weidmueller.com



Weidmüller's new WMF (Weidmüller Multi-Functional) line of terminal blocks provide a multi-functional solution for routing and distributing signals. This space-saving terminal combines all the necessary functionality into a single solution. It features an integrated shield connection and can be used with feed-through, fuse and disconnect functionality. The three cross-connection channels and wide variety of labelling options offer additional flexibility.

**General ordering data**

Type	WMF 2.5 FU SW
Order No.	<a href="#">1162920000</a>
Version	W-Series, WMF, Fuse terminal, Rated cross-section: 2.5 mm <sup>2</sup> , Screw connection
GTIN (EAN)	4032248992126
Qty.	50 pc(s).

## W-Series, WMF WMF 2.5 FU SW

**Weidmüller Interface GmbH & Co. KG**  
 Klingenbergstraße 16  
 D-32758 Detmold  
 Germany  
 Fon: +49 5231 14-0  
 Fax: +49 5231 14-292083  
 www.weidmueller.com

## Technische Daten

### Dimensions and weights

Length	88 mm	Width	5.08 mm
Height	74 mm	Height of lowest version	74.5 mm
Net weight	16.8 g		

### Temperatures

Operating temperature		Storage temperature	
Continuous operating temp., min.	-50 °C	Continuous operating temp., max.	120 °C

### Additional technical data

Open sides	right	Type of mounting	TS 35
Version	Screw connection, Fuse isolator, for plug-in cross-connector, One end without connector		

### CSA ratings data

Certificate No. (CSA)	200039-1057876	Voltage size B (CSA)	600 V
Voltage size C (CSA)	600 V	Voltage size D (CSA)	600 V
Current size B (CSA)	17 A	Current size C (CSA)	17 A
Current size D (CSA)	5 A	Wire cross section max. (CSA)	12 AWG
Wire cross section min. (CSA)	26 AWG		

### Clampable wires (rated connection)

Type of connection	Screw connection	Stripping length	10 mm
Blade size	0.6 x 3.5 mm	Connection direction	on side
Number of connections	2	Clamping range, rated connection, min.	0.5 mm <sup>2</sup>
Clamping range, rated connection, max.	4 mm <sup>2</sup>	Clamping screw	M 3
Tightening torque, min.	0.5 Nm	Tightening torque, max.	0.6 Nm
Gauge to IEC 60947-1	A3	Wire connection cross section, solid core, max. rated connection	0.5 mm <sup>2</sup>
Wire connection cross section, solid core max. rated connection	4 mm <sup>2</sup>	Wire connection cross section, stranded, rated connection, min.	1.5 mm <sup>2</sup>
Wire connection cross section, stranded, rated connection, max.	4 mm <sup>2</sup>	Wire connection cross section, finely stranded, max.	4 mm <sup>2</sup>
Wire connection cross-section, finely stranded, min.	0.5 mm <sup>2</sup>	Wire connection cross section, finely stranded with wire-end ferrules DIN 46228/1, rated connection, min.	0.5 mm <sup>2</sup>
Wire connection cross section, finely stranded with wire-end ferrules DIN 46228/1, rated connection, max.	2.5 mm <sup>2</sup>	Cross-section for connected conductor, finely stranded with wire-end ferrules and plastic collars DIN 46228/4, rated connection, min.	0.5 mm <sup>2</sup>
Wire connection cross-section, finely stranded with wire-end ferrules and plastic collars DIN 46228/4, rated connection, max.	2.5 mm <sup>2</sup>	Wire connection cross section AWG, min.	AWG 26
Wire connection cross section AWG, max.	AWG 12		

## W-Series, WMF WMF 2.5 FU SW

**Weidmüller Interface GmbH & Co. KG**  
 Klingenbergstraße 16  
 D-32758 Detmold  
 Germany  
 Fon: +49 5231 14-0  
 Fax: +49 5231 14-292083  
 www.weidmueller.com

## Technische Daten

### Rated data

Rated cross-section	2.5 mm <sup>2</sup>	Rated voltage	500 V
Rated impulse withstand voltage	8 kV	Rated current	6.3 A
Current at maximum wires	6.3 A	Pollution severity	3
Surge voltage category	III		

### UL ratings data

Certificate No. (cURus)	E60693VOL1SEC95	Conductor size Factory wiring max. (cURus)	12 AWG
Conductor size Factory wiring min. (cURus)	26 AWG	Conductor size Field wiring max. (cURus)	12 AWG
Conductor size Field wiring min. (cURus)	26 AWG	Current size B (cURus)	17 A
Current size C (cURus)	17 A	Current size D (cURus)	5 A
Voltage size B (cURus)	600 V	Voltage size C (cURus)	600 V
Voltage size D (cURus)	600 V	Wire cross section max. (cURus)	12 AWG

### Material data

Material	Wemid	Colour	Black
UL 94 flammability rating	V-0		

### System specifications

Product family	W-Series, WMF	Type of connection	Screw connection
Connection direction	on side	Number of levels	1
Number of connections	2	No. of clamping points per level	2
Mounting rail	TS 35	End cover plate required	Yes

### Fuse terminals

Cartridge fuse	G-Si. 5 x 20	Fuse holder (cartridge holder)	Pivoting
----------------	--------------	--------------------------------	----------

### Classifications

ETIM 3.0	EC000902	eClass 6.2	27-14-11-16
eClass 7.1	27-14-11-16		

### Product information

Descriptive text ordering data	The WMF FU terminals may not be aligned directly under one another.
--------------------------------	---

### Approvals

Approvals



ROHS	Conform
------	---------

**Datenblatt**

**W-Series, WMF  
WMF 2.5 FU SW**

**Weidmüller Interface GmbH & Co. KG**  
Klingenbergstraße 16  
D-32758 Detmold  
Germany  
Fon: +49 5231 14-0  
Fax: +49 5231 14-292083  
[www.weidmueller.com](http://www.weidmueller.com)

**Zeichnungen**

**Circuit diagram**

