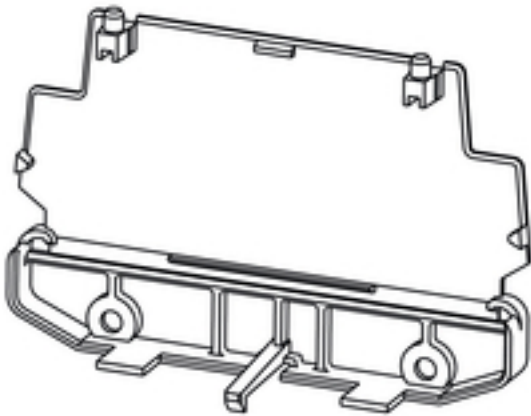


**RS 100
AP 110 BK**

Weidmüller Interface GmbH & Co. KG
Klingenbergstraße 16
D-32758 Detmold
Germany
Fon: +49 5231 14-0
Fax: +49 5231 14-292083
www.weidmueller.com



Flexible - More flexible - Profilform

Modular housings in profile form - the flexible modular system comprising coloured and transparent plastic profiles and carrier modules

The combination of standard pitches mounted side by side in any arrangement and metre goods cut accurate to the millimetre creates the perfect balance between flexibility and economic efficiency:

- Pitch profiles with standard widths ranging from 5mm to 45mm allow the mounting of all standard PCB formats.
- Variable heights ensure maximum component density, even with larger electronics components.
- The different installation variations mean that mounting the enclosure directly is as easy as clipping components onto the terminal rail
- Solid hoods protect the module reliably from external influences

The recipe for success: variable profile + modular form components = flexible enclosure concept that offers a large surface area for the PCBs.

The modular concept is designed for modules with high space requirements and suitable for small component quantities and different widths.

General ordering data

Type	AP 110 BK
Order No.	1189890000
Version	Electronics housings, RS 100 black, End plate, Width: 27.2 mm
GTIN (EAN)	4032248984374
Qty.	10 pc(s).

RS 100
AP 110 BK

Weidmüller Interface GmbH & Co. KG
Klingenbergstraße 16
D-32758 Detmold
Germany
Fon: +49 5231 14-0
Fax: +49 5231 14-292083
www.weidmueller.com

Technical data

Dimensions and weights

Length	108.2 mm	Length (inches)	4.26 inch
Width	27.2 mm	Width (inches)	1.071 inch
Height	73.6 mm	Height (inches)	2.898 inch
Net weight	15.3 g		

System characteristics

Version	End plate	Cross-connection	No
Contact to terminal rail	No	Protection degree	IP20
Encapsulation option	No		

Material data

Insulating material	PA 66	Colour	black
Colour chart (similar)	RAL 9011	CTI	≥ 600
UL 94 flammability rating	V-2	Storage temperature, min.	-25 °C
Storage temperature, max.	55 °C	Max. relative humidity during storage	80 %
Operating temperature, min.	-50 °C	Operating temperature, max.	100 °C
Temperature range, installation, min.	-25 °C	Temperature range, installation, max.	100 °C

Classifications

ETIM 5.0	EC000886	ETIM 6.0	EC001031
eClass 6.2	27-14-11-33	eClass 7.1	27-14-11-33
eClass 8.1	27-14-11-33	eClass 9.0	27-18-27-90
eClass 9.1	27-18-27-90		

Notes

Notes

Descriptive text technical data

3 heights are available for the cover profile and the end plates:

TS mounting without cover: TS 32 = 45 mm, TS35x7.5 = 40.5 mm

TS mounting with low cover: TS 32 = 89 mm, TS 35x7.5 = 84.5 mm

TS mounting with high cover: TS 32 = 121 mm, TS 35x7.5 = 116.5 mm

Direct mounting, without/low/high cover: 24 / 69 / 99 mm

Dimensions of the PCB

Thickness: 1.6 (±0.2) mm, width: 100 (+0.5) mm

Dimension of the RS section = length of the printed circuit board - 4.5 mm

Dimension of ADP section = PCB length - 1 mm

Example:

PCB length 160 mm, RS = 155.5 mm, ADP = 159 mm

Approvals

ROHS	Conform
------	---------

Data sheet**RS 100**
AP 110 BK**Weidmüller Interface GmbH & Co. KG**
Klingenbergstraße 16
D-32758 Detmold
Germany
Fon: +49 5231 14-0
Fax: +49 5231 14-292083
www.weidmueller.com**Technical data****Downloads**

Brochure/Catalogue	FL ANALO.SIGN.CONV. EN MB DEVICE MANUF. EN FL MACHINE SAFETY EN FL 72H SAMPLE SER EN PO OMNIMATE EN
Engineering Data	EPLAN

**RS 100
AP 110 BK**

Weidmüller Interface GmbH & Co. KG
 Klingenbergstraße 16
 D-32758 Detmold
 Germany
 Fon: +49 5231 14-0
 Fax: +49 5231 14-292083
 www.weidmueller.com

Drawings

RAIL MOUNTING
FOR BOTH SIDES (RIGHT AND LEFT)

