

**TERMSERIES
TXS SUPPLY**

Weidmüller Interface GmbH & Co. KG
 Klingenbergstraße 16
 D-32758 Detmold
 Germany
 Fon: +49 5231 14-0
 Fax: +49 5231 14-292083
 www.weidmueller.com



TERMSERIES accessories include:

- Spare relay
- Base
- Partition plates
- Cross-connections
- Power-feed modules

General ordering data

Type	TXS SUPPLY
Order No.	1240780000
Version	TERMSERIES, Supply module, No. of contacts: 5, AgNi, Continuous current: 10 A, Screw connection
GTIN (EAN)	4050118028140
Qty.	10 pc(s).

**TERMSERIES
TXS SUPPLY**

Weidmüller Interface GmbH & Co. KG
 Klingenbergstraße 16
 D-32758 Detmold
 Germany
 Fon: +49 5231 14-0
 Fax: +49 5231 14-292083
 www.weidmueller.com

Technische Daten

Dimensions and weights

Width	6.4 mm	Height	90 mm
Depth	88 mm	Net weight	24 g

Temperatures

Humidity	5–95% rel. humidity, T _u = 40°C, no condensation	Operating temperature	-40 °C...+60 °C
Storage temperature	-40 °C...+85 °C		

Input

Coil resistance		Pull-inrop-out current, typ.	
Pull-inrop-out typ.			

Output

Max. switching voltage, AC	250 V	Max. switching voltage, DC	250 V
Continuous current	10 A		

Contact data

No. of contacts	5	Contact material	AgNi
-----------------	---	------------------	------

General data

Wire connection method	Screw connection	Humidity	5–95% rel. humidity, T _u = 40°C, no condensation
UL 94 flammability rating	V-0		

Insulation coordination

Dielectric strength input – output	4 kV _{eff}	Rated voltage	300 V
Impulse withstand voltage	6 kV (1.2/50 µs)	Protection degree	IP 20
Pollution severity	2	Surge voltage category	III

Connection data

Clamping range, rated connection	1.5 mm ²	Clamping range, rated connection, max.	1.5 mm ²
Clamping range, rated connection, min.	0.14 mm ²	Wire connection method	Screw connection

Classifications

eClass 6.2	27-37-16-90	eClass 7.1	27-37-16-01
------------	-------------	------------	-------------

Approvals

Approvals



Datenblatt

**TERMSERIES
TXS SUPPLY**

Weidmüller Interface GmbH & Co. KG
Klingenbergstraße 16
D-32758 Detmold
Germany
Fon: +49 5231 14-0
Fax: +49 5231 14-292083
www.weidmueller.com

Technische Daten

Downloads

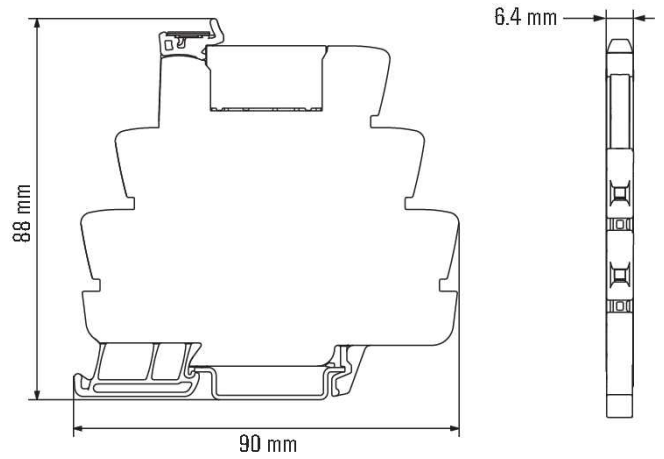
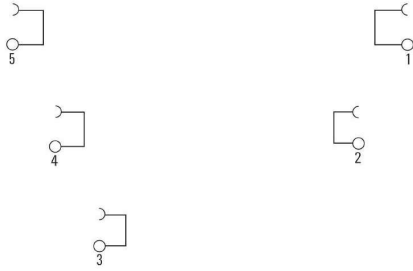
PDF [Operating Instructions](#)
[3D Modell](#)

Datenblatt

**TERMSERIES
TXS SUPPLY**

Weidmüller Interface GmbH & Co. KG
Klingenbergstraße 16
D-32758 Detmold
Germany
Fon: +49 5231 14-0
Fax: +49 5231 14-292083
www.weidmueller.com

Zeichnungen



**TERMSERIES
TXS SUPPLY**

Weidmüller Interface GmbH & Co. KG
 Klingenbergstraße 16
 D-32758 Detmold
 Germany
 Fon: +49 5231 14-0
 Fax: +49 5231 14-292083
 www.weidmueller.com

Zeichnungen

