

## TERMSERIES TXZ SUPPLY

**Weidmüller Interface GmbH & Co. KG**  
 Klingenbergstraße 16  
 D-32758 Detmold  
 Germany  
 Fon: +49 5231 14-0  
 Fax: +49 5231 14-292083  
 www.weidmueller.com



TERMSERIES accessories include:

- Spare relay
- Base
- Partition plates
- Cross-connections
- Power-feed modules

### General ordering data

Type	TXZ SUPPLY
Order No.	<a href="#">1240790000</a>
Version	TERMSERIES, Supply module, No. of contacts: 5, AgNi, Continuous current: 10 A, Tension clamp connection
GTIN (EAN)	4050118028164
Qty.	10 pc(s).

**Technische Daten**
**Dimensions and weights**

Width	6.4 mm	Height	90 mm
Depth	88 mm	Net weight	21 g

**Temperatures**

Humidity	5–95% rel. humidity, T <sub>u</sub> = 40°C, no condensation	Operating temperature	-40 °C...+60 °C
Storage temperature	-40 °C...+85 °C		

**Input**

Coil resistance	Pull-inrop-out current, typ.
Pull-inrop-out typ.	

**Output**

Max. switching voltage, AC	250 V	Max. switching voltage, DC	250 V
Continuous current	10 A		

**Contact data**

No. of contacts	5	Contact material	AgNi
-----------------	---	------------------	------

**General data**

Wire connection method	Tension clamp connection	Humidity	5–95% rel. humidity, T <sub>u</sub> = 40°C, no condensation
UL 94 flammability rating	V-0		

**Insulation coordination**

Dielectric strength input – output	4 kV <sub>eff</sub>	Rated voltage	300 V
Impulse withstand voltage	6 kV (1.2/50 µs)	Protection degree	IP 20
Pollution severity	2	Surge voltage category	III

**Connection data**

Clamping range, rated connection	1.5 mm <sup>2</sup>	Clamping range, rated connection, max.	1.5 mm <sup>2</sup>
Clamping range, rated connection, min.	0.14 mm <sup>2</sup>	Wire connection method	Tension clamp connection

**Classifications**

eClass 6.2	27-37-16-90	eClass 7.1	27-37-16-01
------------	-------------	------------	-------------

**Approvals**

Approvals



**Datenblatt**

**TERMSERIES  
TXZ SUPPLY**

**Weidmüller Interface GmbH & Co. KG**  
Klingenbergstraße 16  
D-32758 Detmold  
Germany  
Fon: +49 5231 14-0  
Fax: +49 5231 14-292083  
www.weidmueller.com

**Technische Daten**

**Downloads**

---

PDF [Operating Instructions](#)  
[3D Modell](#)

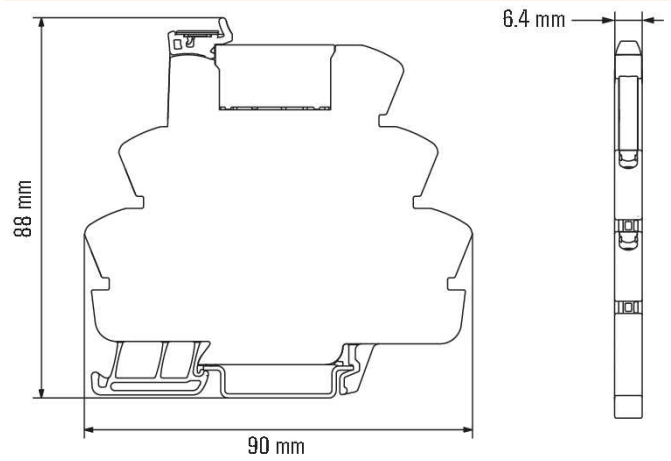
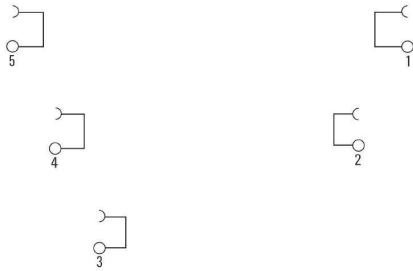
---

**Datenblatt**

**TERMSERIES  
TXZ SUPPLY**

**Weidmüller Interface GmbH & Co. KG**  
Klingenbergstraße 16  
D-32758 Detmold  
Germany  
Fon: +49 5231 14-0  
Fax: +49 5231 14-292083  
www.weidmueller.com

**Zeichnungen**



**TERMSERIES  
TXZ SUPPLY**

**Weidmüller Interface GmbH & Co. KG**  
 Klingenbergstraße 16  
 D-32758 Detmold  
 Germany  
 Fon: +49 5231 14-0  
 Fax: +49 5231 14-292083  
 www.weidmueller.com

**Zeichnungen**

