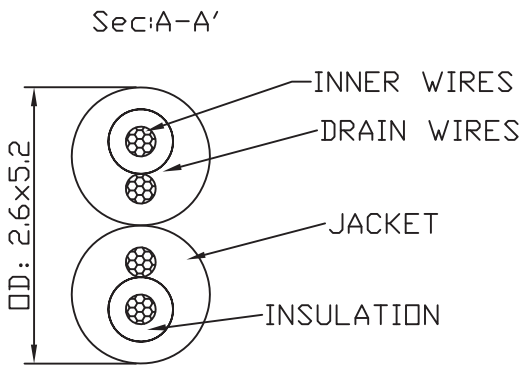
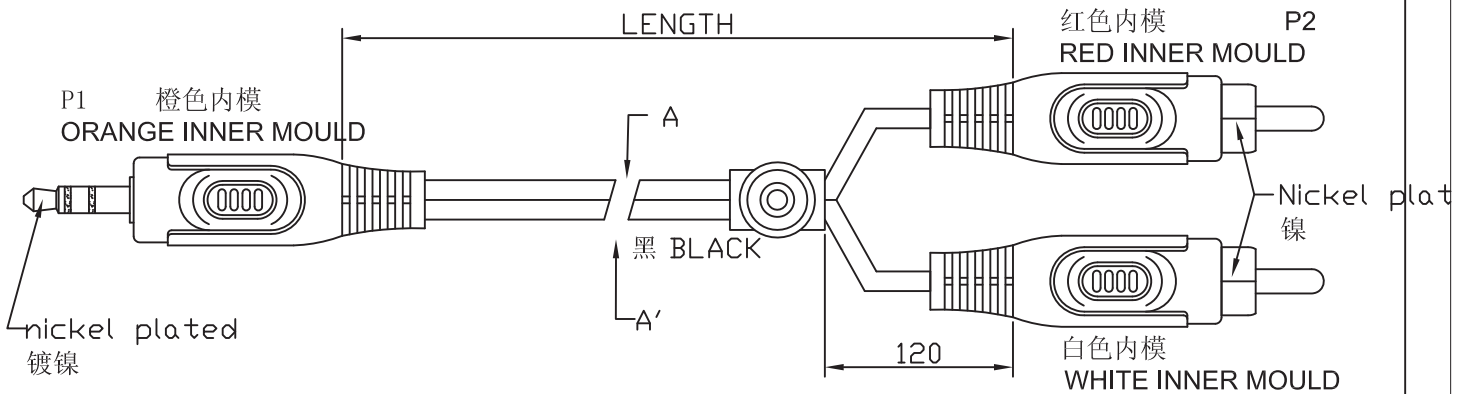
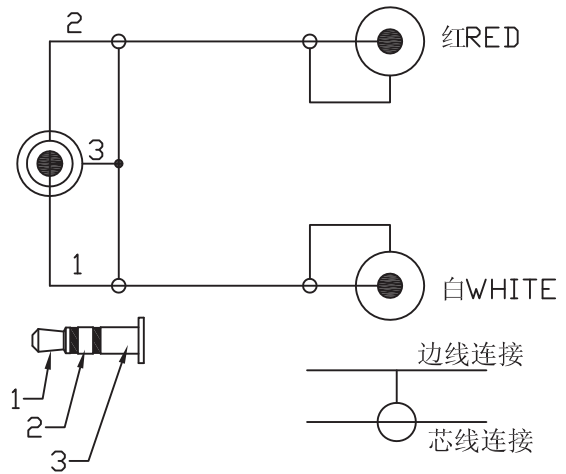


ITEM		PC	1	STRAIN RELIEF ,MOLDING PVC BLACK		
M		pc	2	RCA PLUG,NICKEL PLATED,MOLDING PVC OUTER/BLACK,INNER/RED,WHITE	P2	
		pc	1	3.5STERED PLUG,NICKEL PLATED,MOLDING PVC OUTER/BLACK,INNER/ORANGE	P1	
		mm	LENG TH	$(10/0.1CCS+10/0.1CCS)$*2F,OD:2.6*5.2, BLACK	CABLE	
		UNIT	Q'TY	DESCRIPTION	NAME	NO

$(10/0.1CCS+10/0.1CCS)$*2F,OD:2.6*5.2, BLACK



CONNECTION:



VV EDP	LENGTH	PACKAGE
50320	300±1%	NT12
50321	3000±1%	NT13
50322	5000±1%	NT13

部件编号PART NO.		DESCRIPTION	3.5STERED PLUG TO 2RCA PLUG						
DWG编号DWG. NO.		描述							
制图DRAW	审核CHECK	批准APP.	日期DATE	单位UNIT	比例SCALE	版本VER	尺寸SIZE	页数SHEET	
			2009/07/24	mm	NONE	1	A4		