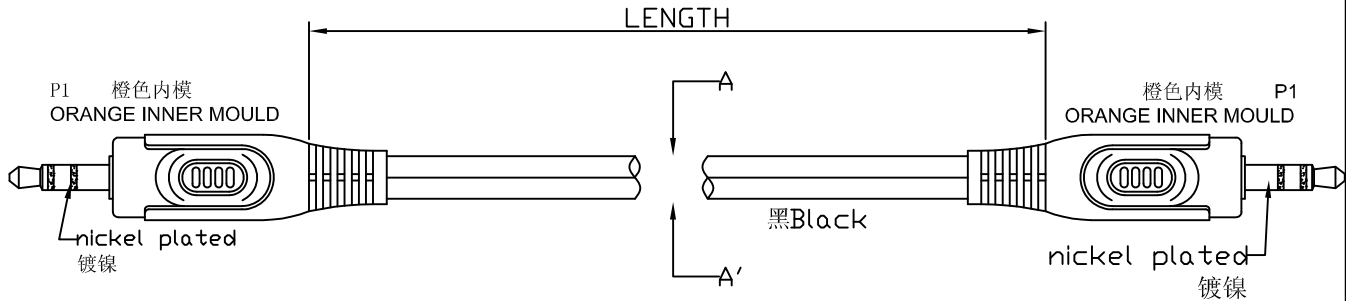
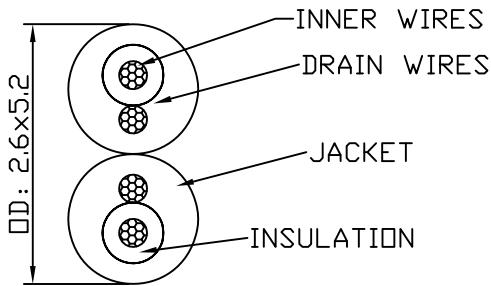


ITEM		pc	2	3.5STERED PLUG,NICKEL PLATED,MOLDING PVC OUTER/BLACK,INNER/ORANGE	P1	
		mm	LENGTH	(10/0.1CCS+10/0.1CCS)*2F,OD:2.6*5.2, BLACK	CABLE	
		UNIT	Q'TY	DESCRIPTION	NAME	NO

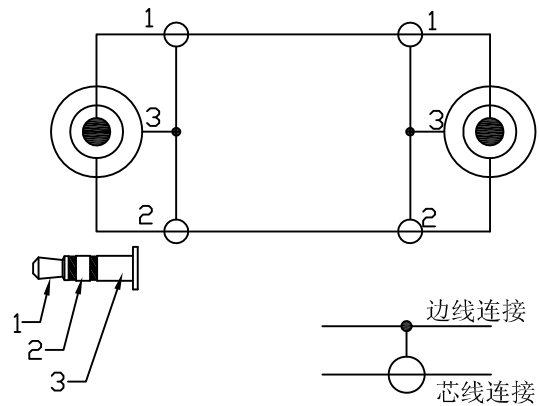
(10/0.1CCS+10/0.1CCS)*2F,OD:2.6*5.2, BLACK



SEC:A-A'



connection:



VV EDP	LENGTH	PACKAGE
50324	5000±1%	NT13
50323	300±1%	NT12

部件编号PART NO.		DESCRIPTION	3.5STERED PLUG TO 3.5STERED PLUG					
DWG 编号DWG. NO.		描述						
制图DRAW	审核CHECK	批准APP.	日期DATE	单位UNIT	比例SCALE	版本VER	尺寸SIZE	页数SHEET
			2010/06/11	mm	NONE	1	A4	