

LSM-50A (Artikel-Nr. 335401-07)

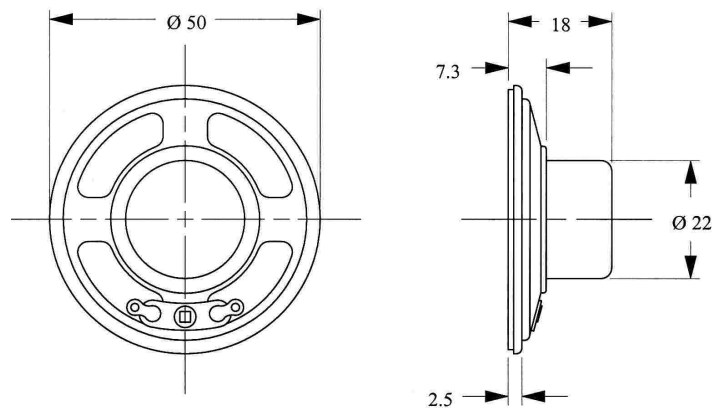
EKULIT

SPECIFICATIONS:

TYPE	UNIT	LSM-50A
Impedance	Ω	$8 \pm 15\%$
Power (Nominal)	W	0.2
Power (Maximum)	W	0.3
Resonant Frequency	Hz	$450 \pm 20\%$
Sound Pressure Level	dB	84 ± 3
Frequency Range	Hz	Fo~4.500
Operating Temperature	$^{\circ}\text{C}$	-10~+50
Storage Temperature	$^{\circ}\text{C}$	-20~+60

DIMENSIONS :

(Unit: mm)



Frequency response:

