

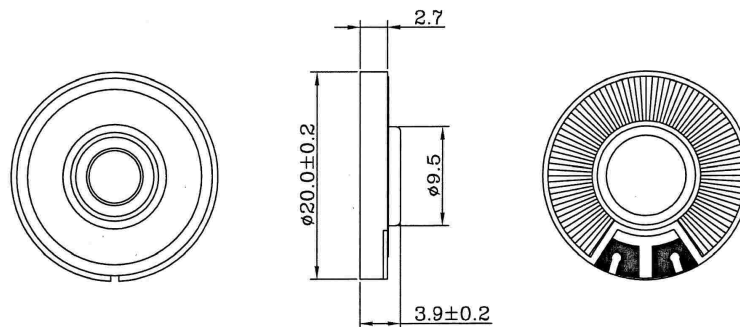
**LSF-20M/N** (Artikel-Nr. 335413-07)

**EKULIT**

SPECIFICATIONS:

TYPE	UNIT	LSF-20M/N
Impedance	$\Omega$	$8 \pm 15\%$
Power (Nominal)	W	0.1
Power (Maximum)	W	0.2
Resonant Frequency	Hz	$700 \pm 20\%$
Sound Pressure Level	dB	$88 \pm 3$
Frequency Range	Hz	450~5.000
Operating Temperature	$^{\circ}\text{C}$	-25~+50
Storage Temperature	$^{\circ}\text{C}$	-25~+60

DIMENSIONS :  
(Unit: mm)



Frequency response:

