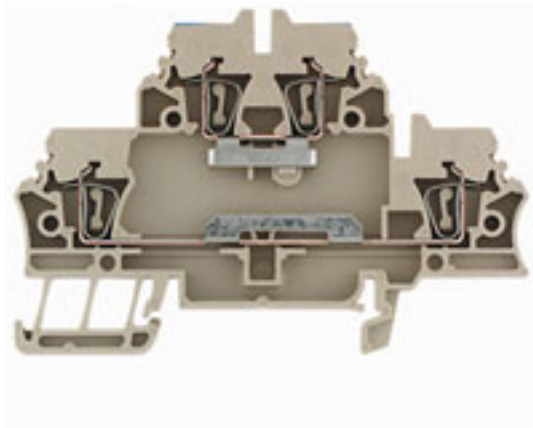


**Z terminal with tension spring connection
ZDK 2.5N-DU**

Weidmüller Interface GmbH & Co. KG
Klingenbergstraße 16
D-32758 Detmold
Germany
Fon: +49 5231 14-0
Fax: +49 5231 14-292083
www.weidmueller.com



Terminal blocks in tension clamp system and the Z Series are specially customised to the customers' requirements. Less space, spacious labelling area, integrated test point, cross-connection functionality within the Z Series and another family of terminals by Weidmüller. Z-Series terminals have a large clamping range and one or two cross-connection slots. Plug-in standard cross-connections enable potentials to be distributed over any number of terminals.

General ordering data

Type	ZDK 2.5N-DU
Order No.	1689960000
Version	Z terminal with tension spring connection, Feed-through terminal, Double-tier terminal, Rated cross-section: 2.5 mm ² , Tension clamp connection, Wemid, Dark Beige, Busbar
GTIN (EAN)	4008190875497
Qty.	50 pc(s).

Z terminal with tension spring connection ZDK 2.5N-DU

Weidmüller Interface GmbH & Co. KG
Klingenbergstraße 16
D-32758 Detmold
Germany
Fon: +49 5231 14-0
Fax: +49 5231 14-292083
www.weidmueller.com

Technische Daten

Dimensions and weights

Length	79.5 mm	Width	5.1 mm
Height	53 mm	Height of lowest version	54 mm
Net weight	10.14 g		

Temperatures

Operating temperature		Storage temperature	
Continuous operating temp., min.	-50 °C	Continuous operating temp., max.	120 °C

Rated data IECEx/ATEX

Certificate No. (ATEX)	KEMA97ATEX4677U	ATEX certificate	KEMA97ATEX4677U_d.pdf
ATEX certificate	KEMA97ATEX4677U_e.pdf	Max. voltage (ATEX)	275 V
Current (ATEX)	20 A	Wire cross section max. (ATEX)	2.5 mm ²
Voltage, cross-connection		Operating temperature range	For operating temperature range see EC Design Test Certificate / IEC Ex-Certificate of Conformity
	CrossConnectionGuide.pdf		
Marking EN 60079-7	Ex e II	Marking ATEX Directive 94/9/EC	II 2 G D

Additional technical data

Explosion-tested version	Yes	Installation advice	Busbar
Number of similar terminals	1	Open sides	right
Type of mounting		Version	Tension-clamp connection, for plug-in cross-connector, One end without connector
	Snap-on		

CSA ratings data

Certificate No. (CSA)	12400-367	Voltage size B (CSA)	300 V
Voltage size D (CSA)	300 V	Current size B (CSA)	10 A
Current size D (CSA)	10 A	Wire cross section max. (CSA)	12 AWG
Wire cross section min. (CSA)	26 AWG		

Clampable wires (additional connection)

Conductor cross-section, flexible plus plastic collar DIN 46228/1, further connection, min.	0.5 mm ²	Conductor cross-section, flexible plus plastic collar DIN 46228/1, further connection, max.	2.5 mm ²
---	---------------------	---	---------------------

Z terminal with tension spring connection ZDK 2.5N-DU

Weidmüller Interface GmbH & Co. KG
Klingenbergstraße 16
D-32758 Detmold
Germany
Fon: +49 5231 14-0
Fax: +49 5231 14-292083
www.weidmueller.com

Technische Daten

Clampable wires (rated connection)

Type of connection	Tension clamp connection	Stripping length	10 mm
Blade size	0.6 x 3.5 mm	Connection direction	top
Number of connections	2	Clamping range, rated connection, min.	0.05 mm ²
Clamping range, rated connection, max.	2.5 mm ²	Gauge to IEC 60947-1	A2
Wire connection cross section, solid core, max. rated connection	0.5 mm ²	Wire connection cross section, solid core max. rated connection	2.5 mm ²
Wire connection cross section, finely stranded, max.	2.5 mm ²	Wire connection cross-section, finely stranded, min.	0.5 mm ²
Wire connection cross section, finely stranded with wire-end ferrules DIN 46228/1, rated connection, min.	0.5 mm ²	Wire connection cross section, finely stranded with wire-end ferrules DIN 46228/1, rated connection, max.	2.5 mm ²
Cross-section for connected conductor, finely stranded with wire-end ferrules and plastic collars DIN 46228/4, rated connection, min.	0.5 mm ²	Wire connection cross-section, finely stranded with wire-end ferrules and plastic collars DIN 46228/4, rated connection, max.	2.5 mm ²
Wire connection cross section AWG, min.	AWG 26	Wire connection cross section AWG, max.	AWG 12

Rated data

Rated cross-section	2.5 mm ²	Rated voltage	500 V
Rated impulse withstand voltage	6 kV	Rated current	20 A
Current at maximum wires	23 A	Standards	IEC 60947-7-1
Pollution severity	3		

UL ratings data

Certificate No. (UR)	E60693	Voltage size C (UR)	300 V
Current size C (UR)	15 A	Conductor size Factory wiring max. (UR)	14 AWG
Conductor size Factory wiring min. (UR)	26 AWG	Conductor size Field wiring max. (UR)	14 AWG

Material data

Insulating material	Wemid	Material	Wemid
Colour	Beige	UL 94 flammability rating	V-0

System specifications

Product family	Z terminal with tension spring connection	Type of connection	Tension clamp connection
Connection direction	top	Number of levels	2
Number of connections	2	No. of clamping points per level	2
Levels cross-connected internally	No	End cover plate required	Yes

Classifications

ETIM 3.0	EC000897	UNSPSC	30-21-18-01
eClass 5.1	27-14-11-18	eClass 6.2	27-14-11-27
eClass 7.1	27-14-11-27		

Product information

Descriptive text technical data 2.5 mm² flexible wires with wire-end ferrules are crimped with the Weidmüller PZ 6/5 crimping tool.

Datenblatt

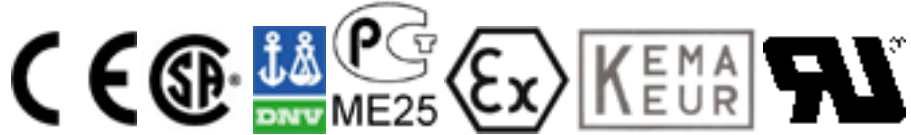
**Z terminal with tension spring connection
ZDK 2.5N-DU**

Weidmüller Interface GmbH & Co. KG
Klingenbergstraße 16
D-32758 Detmold
Germany
Fon: +49 5231 14-0
Fax: +49 5231 14-292083
www.weidmueller.com

Technische Daten

Approvals

Approvals



ROHS

Conform