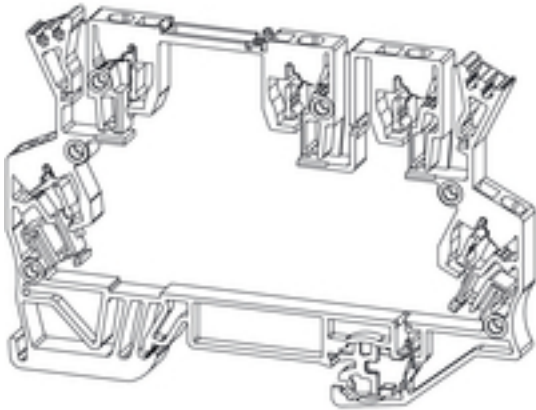


## OMNIMATE Housing - TERMINALBOX GH MCZUE1.5/UE 1674

**Weidmüller Interface GmbH & Co. KG**  
Klingenbergstraße 16  
D-32758 Detmold  
Germany  
Fon: +49 5231 14-0  
Fax: +49 5231 14-292083  
www.weidmueller.com



Open miniature housing in modular terminal format with five tension clamp connections. A transparent hinged top plate can be used for labelling and provides access to potentiometer and status displays. Plug-in cross-connectors can be used to interconnect the three top connections. A cover plate for closing off the housing is also available.

### General ordering data

Type	GH MCZUE1.5/UE 1674
Order No.	<a href="#">2312290000</a>
Version	Electronics housings, OMNIMATE Housing - TERMINALBOX grey-beige, only enclosures, without metal accessories, Width: 6 mm
GTIN (EAN)	4032248726738
Qty.	100 pc(s).

## OMNIMATE Housing - TERMINALBOX GH MCZUE1.5/UE 1674

**Weidmüller Interface GmbH & Co. KG**  
Klingenbergstraße 16  
D-32758 Detmold  
Germany  
Fon: +49 5231 14-0  
Fax: +49 5231 14-292083  
www.weidmueller.com

### Technical data

#### Dimensions and weights

Length	91 mm	Length (inches)	3.583 inch
Width	6 mm	Width (inches)	0.236 inch
Height	63 mm	Height (inches)	2.48 inch
Net weight	12.76 g		

#### System characteristics

Version	only enclosures, without metal accessories	Protection degree	IP20
---------	--	-------------------	------

#### Material data

Colour	grey-beige	UL 94 flammability rating	V-0
Storage temperature, min.	-25 °C	Storage temperature, max.	55 °C
Max. relative humidity during storage	80 %	Operating temperature, min.	-50 °C
Operating temperature, max.	120 °C	Temperature range, installation, min.	-25 °C
Temperature range, installation, max.	120 °C		

#### Classifications

ETIM 5.0	EC001031	ETIM 6.0	EC002848
UNSPSC	30-21-18-01	eClass 6.2	27-18-08-02
eClass 7.1	27-18-27-02	eClass 8.1	27-18-27-02
eClass 9.0	27-14-11-92	eClass 9.1	27-14-11-92

#### Notes

Notes

#### Approvals

ROHS	Conform
------	---------

#### Downloads

Brochure/Catalogue	<a href="#">FL ANALO.SIGN.CONV.EN</a> <a href="#">MB DEVICE MANUF.EN</a> <a href="#">CAT 2 PORTFOLIOGUIDE.EN</a> <a href="#">FL MACHINE SAFETY EN</a> <a href="#">FL 72H SAMPLE SER EN</a> <a href="#">PO OMNIMATE EN</a>
Engineering Data	<a href="#">PCB contour with soldering pads</a>

**Data sheet**

**OMNIMATE Housing - TERMINALBOX  
GH MCZUE1.5/UE 1674**

**Weidmüller Interface GmbH & Co. KG**  
Klingenbergstraße 16  
D-32758 Detmold  
Germany  
Fon: +49 5231 14-0  
Fax: +49 5231 14-292083  
www.weidmueller.com

**Drawings**

