

D-SERIES DRM
DRM270220L

Weidmüller Interface GmbH & Co. KG
 Klingenbergstraße 16
 D-32758 Detmold
 Germany
 Fon: +49 5231 14-0
 Fax: +49 5231 14-292083
 www.weidmueller.com

Product image


Similar to illustration

Relay from the D-SERIES DRM.

- 2 or 4 CO contacts
- Compact design
- Wide range of coil voltages
- Optional test button (AC red, DC blue)
- Optional with integrated status display (AC red, DC green)
and/or free-wheel diode

General ordering data

| | |
|------------|---|
| Type | DRM270220L |
| Order No. | 7760056063 |
| Version | D-SERIES DRM, Relay, No. of contacts: 2, CO contact, AgNi 0,15 µm Au, Rated control voltage: 220 V DC, Continuous current: 10 A, Plug-in connection |
| GTIN (EAN) | 4032248855926 |
| Qty. | 20 pc(s). |

D-SERIES DRM
DRM270220L

Weidmüller Interface GmbH & Co. KG
 Klingenbergstraße 16
 D-32758 Detmold
 Germany
 Fon: +49 5231 14-0
 Fax: +49 5231 14-292083
 www.weidmueller.com

Technical data**Dimensions and weights**

| | | | |
|------------|---------|-----------------|------------|
| Width | 21 mm | Width (inches) | 0.827 inch |
| Height | 27.4 mm | Height (inches) | 1.079 inch |
| Depth | 35.7 mm | Depth (inches) | 1.406 inch |
| Net weight | 35 g | | |

Temperatures

| | | | |
|-----------------------------|--|-----------------------------|----------------|
| Humidity | 35...85 % rel. humidity, no condensation | Operating temperature, max. | 60 °C |
| Operating temperature, min. | -40 °C | Storage temperature, max. | 70 °C |
| Storage temperature, min. | -40 °C | Operating temperature | -40 °C...60 °C |
| Storage temperature | -40 °C...70 °C | | |

Environmental Product Compliance

| | |
|------------|----------------|
| REACH SVHC | Lead 7439-92-1 |
|------------|----------------|

Rated data UL

| | |
|-------------------------|---------|
| Certificate No. (cURus) | E312083 |
|-------------------------|---------|

Input

| | | | |
|-----------------------|----------------|--------------------------------|-----------------|
| Rated control voltage | 220 V DC | Rated current DC | 5.2 mA |
| Power rating | 1.2 W | Pull-in/drop-out voltage, typ. | 165 V / 22 V DC |
| Coil resistance | 44000 Ω ± 10 % | Status indicator | Green LED |

Output

| | | | |
|-------------------------|----------------------------|--|--------------|
| Rated switching voltage | 250 V AC | Max. switching voltage, AC | 250 V |
| Continuous current | 10 A | Inrush current | 20 A / 50 ms |
| Switch-on delay | < 20 ms | Switch-off delay | < 20 ms |
| Min. switching power | 10 mA @ 12 V, 100 mA @ 5 V | Max. switching frequency at rated load | 0.1 Hz |

Contact data

| | | | |
|-------------------------|---------------------------------------|--------------------|---------|
| Contact type | 2 CO contact (AgNi 0,15 μm Au) | Contact resistance | ≤ 50 mΩ |
| Mechanical service life | 20 x 10 ⁶ switching cycles | | |

General data

| | | | |
|-------------|-------------|--------------------------------------|-----|
| Test button | No | Mechanical switch position indicator | Yes |
| Colour | Transparent | UL 94 flammability rating | V-0 |

Insulation coordination

| | | | |
|--|--------------------------------|--|-----------------------------|
| Rated voltage | 250 V | Surge voltage category | III |
| Pollution severity | 2 | Protection degree | IP20 |
| Dielectric strength, Input/Output | 1.8 kV _{eff} / 1 min. | Creepage and clearance distance input – output | ≥ 5.5 mm |
| Dielectric strength of neighbouring contacts | 1 kV _{eff} / 1 min | Dielectric strength of open contact | 1 kV _{eff} / 1 min |
| Impulse withstand voltage | 6 kV (1.2/50 μs) | | |

Creation date May 28, 2019 2:28:11 PM CEST

Data sheet

**D-SERIES DRM
DRM270220L**

Weidmüller Interface GmbH & Co. KG
 Klingenbergstraße 16
 D-32758 Detmold
 Germany
 Fon: +49 5231 14-0
 Fax: +49 5231 14-292083
 www.weidmueller.com

Technical data

Further details of approvals / standards

| | | | |
|-----------|--|-------------------------|---------|
| Standards | IEC 61810-1, EN 60664-1:2007, EN 61000-6-2:2005, EN 61000-6-4:2007 + A1:2011, UL 508 | Certificate No. (cURus) | E312083 |
|-----------|--|-------------------------|---------|

Connection data

| | |
|------------------------|--------------------|
| Wire connection method | Plug-in connection |
|------------------------|--------------------|

Classifications

| | | | |
|------------|-------------|------------|-------------|
| ETIM 3.0 | EC001437 | ETIM 5.0 | EC001437 |
| ETIM 6.0 | EC001437 | eClass 6.2 | 27-37-16-01 |
| eClass 7.1 | 27-37-16-01 | eClass 8.1 | 27-37-16-01 |
| eClass 9.0 | 27-37-16-01 | eClass 9.1 | 27-37-16-01 |

Approvals

| | |
|-----------|---|
| Approvals |  |
|-----------|---|

| | |
|------|---------|
| ROHS | Conform |
|------|---------|

Downloads

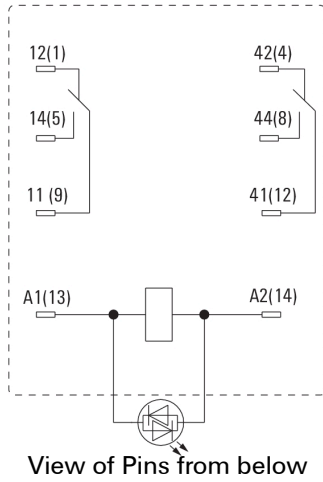
| | |
|---|---|
| Approval/Certificate/Document of Conformity | DE_PA_5600_160310_001.pdf |
| Brochure/Catalogue | CAT 4.2 ELECTR 18/19 EN |
| Engineering Data | EPLAN, WSCAD |
| Engineering Data | STEP |

**D-SERIES DRM
DRM270220L**

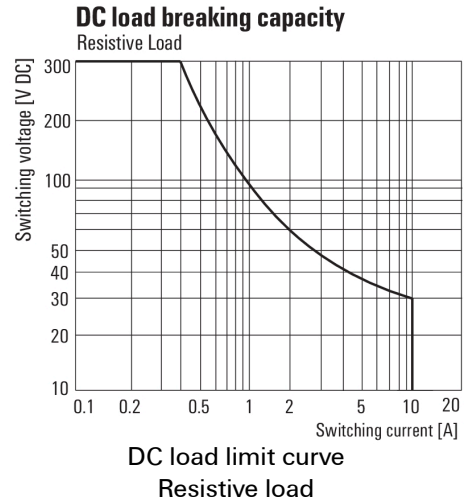
Weidmüller Interface GmbH & Co. KG
 Klingenbergstraße 16
 D-32758 Detmold
 Germany
 Fon: +49 5231 14-0
 Fax: +49 5231 14-292083
 www.weidmueller.com

Drawings

Wiring diagram



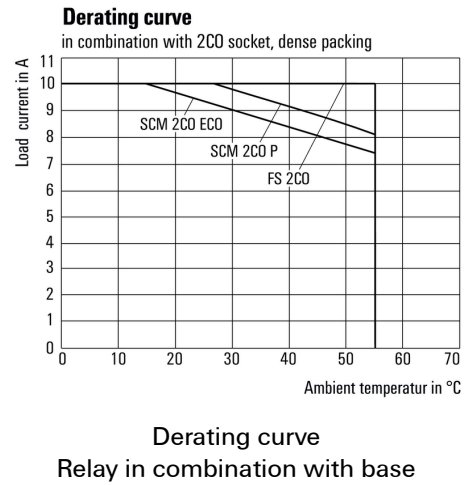
Graph



Graph



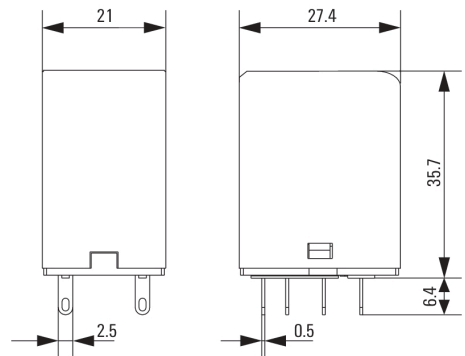
Graph



Graph



Dimensional drawing



Data sheet

**D-SERIES DRM
DRM270220L**

Weidmüller Interface GmbH & Co. KG
 Klingenbergstraße 16
 D-32758 Detmold
 Germany
 Fon: +49 5231 14-0
 Fax: +49 5231 14-292083
 www.weidmueller.com

Drawings

Miscellaneous



Type codes