

RIDERSERIES RCM RCM270730

Weidmüller Interface GmbH & Co. KG
Klingenbergstraße 16
D-32758 Detmold
Germany
Fon: +49 5231 14-0
Fax: +49 5231 14-292083
www.weidmueller.com

Product image



Similar to illustration

Standard relays in the RIDERSERIES RCM

- 2 CO contacts
- Optionally AC or DC coils
- with test button
- Comes optionally with integrated status display and/or free-wheel diode

General ordering data

| | |
|------------|---|
| Type | RCM270730 |
| Order No. | 8689820000 |
| Version | RIDERSERIES RCM, Relay, No. of contacts: 2 CO contact with test button AgNi 90/10, Rated control voltage: 230 V AC, Continuous current: 12 A, Plug-in connection |
| GTIN (EAN) | 4032248360499 |
| Qty. | 10 pc(s). |

**RIDERSERIES RCM
RCM270730**

Weidmüller Interface GmbH & Co. KG
 Klingenbergstraße 16
 D-32758 Detmold
 Germany
 Fon: +49 5231 14-0
 Fax: +49 5231 14-292083
 www.weidmueller.com

Technical data
Dimensions and weights

| | | | |
|------------|----------|-----------------|------------|
| Width | 22.5 mm | Width (inches) | 0.886 inch |
| Height | 28 mm | Height (inches) | 1.102 inch |
| Depth | 29 mm | Depth (inches) | 1.142 inch |
| Net weight | 28.376 g | | |

Temperatures

| | | | |
|-----------------------------|--|-----------------------------|----------------|
| Humidity | 40 °C / 93 % rel. humidity, no condensation | Operating temperature, max. | 70 °C |
| Operating temperature, min. | -40 °C | Storage temperature, max. | 85 °C |
| Storage temperature, min. | -40 °C | Operating temperature | -40 °C...70 °C |
| Storage temperature | -40 °C...85 °C | | |

Environmental Product Compliance

REACH SVHC Lead 7439-92-1

Rated data UL

Certificate No. (cURus) E224238

Input

| | | | |
|-----------------------|----------------|--------------------------------|-----------------|
| Rated control voltage | 230 V AC | Rated current AC | 4.3 mA |
| Power rating | 1.0 VA | Pull-in/drop-out voltage, typ. | 184 V / 69 V AC |
| Coil resistance | 19465 Ω ± 15 % | | |

Output

| | | | |
|-------------------------|---|--|--------------|
| Rated switching voltage | 240 V AC | Max. switching voltage, AC | 400 V |
| Continuous current | 12 A | Inrush current | 24 A / 20 ms |
| Switch-on delay | ≤ 15 ms | Switch-off delay | ≤ 10 ms |
| Min. switching power | 1 mA @ 24 V, 10 mA @ 12 V, 100 mA @ 5 V | Max. switching frequency at rated load | 0.1 Hz |

Contact data

| | | |
|--|-------------------------|--|
| Contact type | Mechanical service life | AC coil 20 x 10 ⁶ switching cycles, DC coil 30 x 10 ⁶ switching cycles |
| 2 CO contact with test button (AgNi 90/10) | | |

General data

| | | | |
|-------------|----------------|--------------------------------------|-----|
| Test button | yes (lockable) | Mechanical switch position indicator | Yes |
| Colour | Transparent | UL 94 flammability rating | V-2 |

Insulation coordination

| | | | |
|--|--------------------------------|--|--------------------------------|
| Rated voltage | 250 V | Surge voltage category | III |
| Pollution severity | 2 | Insulating material group | IIIa |
| Protection degree | IP20 | Dielectric strength, Input/Output | 2.5 kV _{eff} / 1 Min. |
| Creepage and clearance distance input – output | ≥ 4 mm | Dielectric strength of neighbouring contacts | 2.5 kV _{eff} / 1 Min. |
| Dielectric strength of open contact | 1.2 kV _{eff} / 1 min. | Impulse withstand voltage | 5 kV (1.2/50 μs) |

Creation date May 28, 2019 2:38:18 PM CEST

Data sheet

**RIDERSERIES RCM
RCM270730**

Weidmüller Interface GmbH & Co. KG
Klingenbergstraße 16
D-32758 Detmold
Germany
Fon: +49 5231 14-0
Fax: +49 5231 14-292083
www.weidmueller.com

Technical data

Further details of approvals / standards

| | | | |
|-------------------------|--------------------|-----------------------|----------------|
| Standards | IEC 61810-1, UL508 | Certificate No. (CSA) | 249409-2426937 |
| Certificate No. (cURus) | E224238 | | |

Connection data

| | |
|------------------------|--------------------|
| Wire connection method | Plug-in connection |
|------------------------|--------------------|

Classifications

| | | | |
|------------|-------------|------------|-------------|
| ETIM 3.0 | EC001437 | ETIM 4.0 | EC001437 |
| ETIM 5.0 | EC001437 | ETIM 6.0 | EC001437 |
| UNSPSC | 30-21-19-17 | eClass 5.1 | 27-37-16-01 |
| eClass 6.2 | 27-37-16-01 | eClass 7.1 | 27-37-16-01 |
| eClass 8.1 | 27-37-16-01 | eClass 9.0 | 27-37-16-01 |
| eClass 9.1 | 27-37-16-01 | | |

Approvals

Approvals



| | |
|------|---------|
| ROHS | Conform |
|------|---------|

Downloads

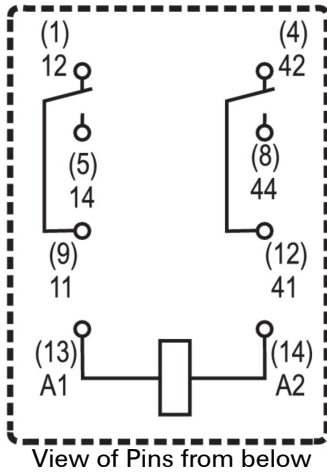
| | |
|---|--|
| Approval/Certificate/Document of Conformity | DE_PA5600_160401_001.pdf |
| Brochure/Catalogue | CAT 4.2 ELECTR 18/19 EN |
| Engineering Data | EPLAN_WSCAD |
| Engineering Data | STEP |

**RIDERSERIES RCM
RCM270730**

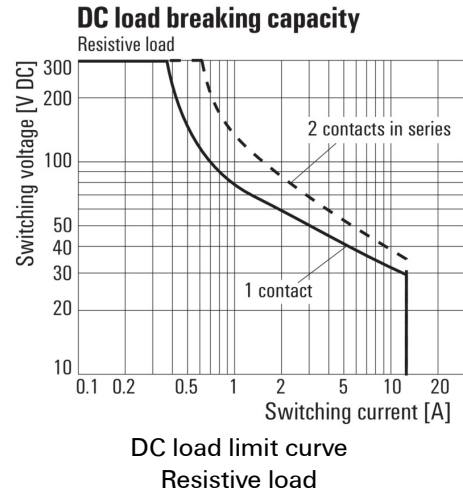
Weidmüller Interface GmbH & Co. KG
Klingenbergstraße 16
D-32758 Detmold
Germany
Fon: +49 5231 14-0
Fax: +49 5231 14-292083
www.weidmueller.com

Drawings

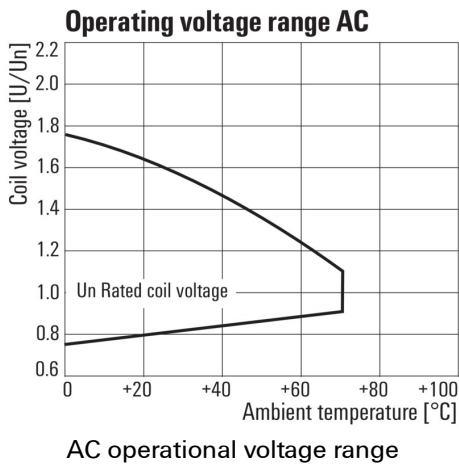
Wiring diagram



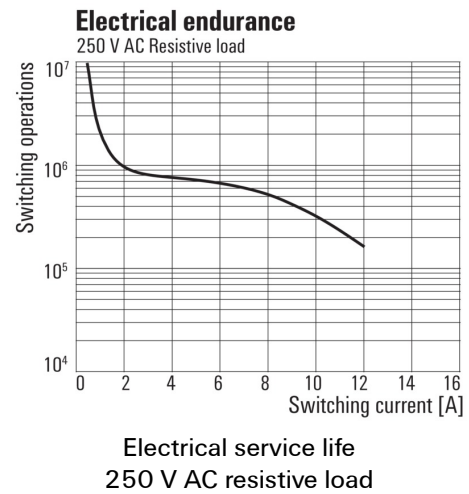
Graph



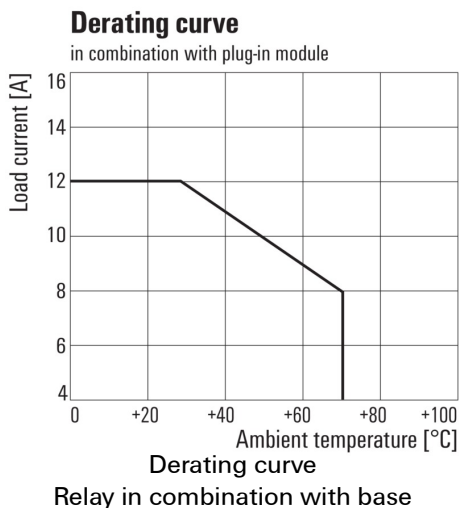
Graph



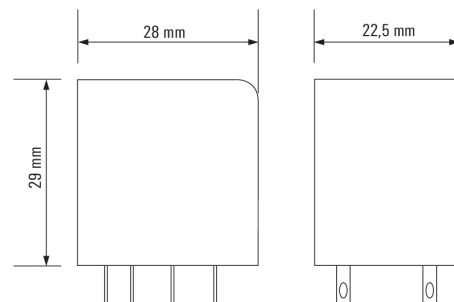
Graph



Graph



Dimensional drawing

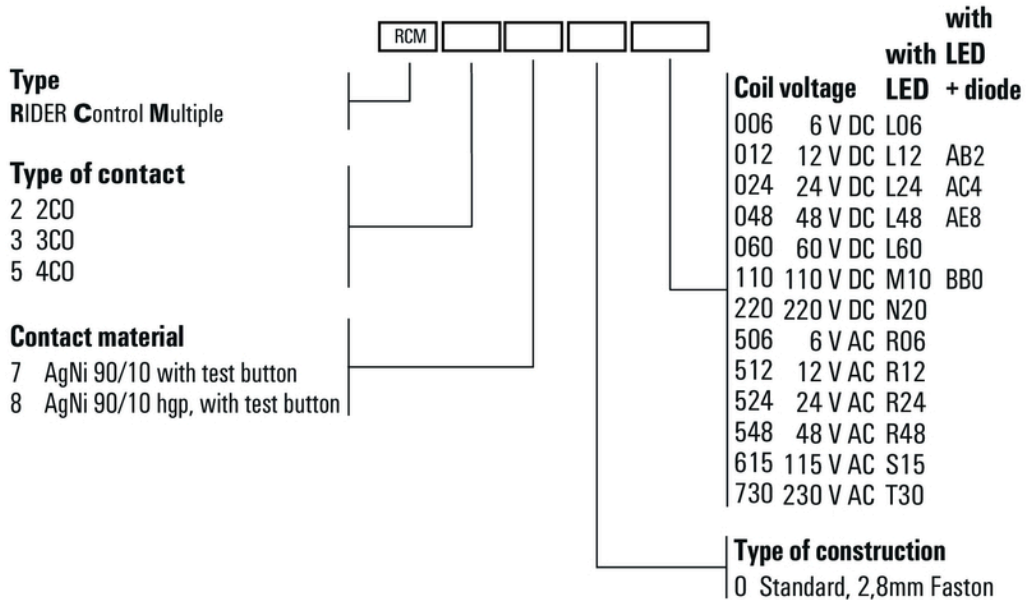


**RIDERSERIES RCM
RCM270730**

Weidmüller Interface GmbH & Co. KG
 Klingenbergstraße 16
 D-32758 Detmold
 Germany
 Fon: +49 5231 14-0
 Fax: +49 5231 14-292083
 www.weidmueller.com

Drawings

Miscellaneous



Type codes