

**RIDERSERIES RCL  
RCL214012**

**Weidmüller Interface GmbH & Co. KG**  
Klingenbergstraße 16  
D-32758 Detmold  
Germany  
Fon: +49 5231 14-0  
Fax: +49 5231 14-292083  
www.weidmueller.com

**Product image**

Similar to illustration

Standard relay within the RIDERSERIES RCL

- 1 CO contact
- optionally: AC or DC coils

**General ordering data**

|            |  |
|------------|--|
| Type       | RCL214012  |
| Order No.  | <a href="#">8693170000</a>   |
| Version    | RIDERSERIES RCL, Relay, No. of contacts: 1 CO contact AgNi 90/10, Rated control voltage: 12 V DC, Continuous current: 12 A, Plug-in connection |
| GTIN (EAN) | 4032248364633  |
| Qty.       | 20 pc(s).  |

**RIDERSERIES RCL**  
**RCL214012**

**Weidmüller Interface GmbH & Co. KG**  
 Klingenbergstraße 16  
 D-32758 Detmold  
 Germany  
 Fon: +49 5231 14-0  
 Fax: +49 5231 14-292083  
 www.weidmueller.com

**Technical data**
**Dimensions and weights**

|            |         |                 |            |
|------------|---------|-----------------|------------|
| Width      | 12.7 mm | Width (inches)  | 0.5 inch   |
| Height     | 29 mm   | Height (inches) | 1.142 inch |
| Depth      | 15.7 mm | Depth (inches)  | 0.618 inch |
| Net weight | 14.5 g  |                 |            |

**Temperatures**

|                             |  |                             |                |
|-----------------------------|--|-----------------------------|----------------|
| Humidity                    | 40 °C / 93 % rel. humidity,<br>no condensation | Operating temperature, max. | 70 °C          |
| Operating temperature, min. | -40 °C   | Storage temperature, max.   | 85 °C          |
| Storage temperature, min.   | -40 °C   | Operating temperature       | -40 °C...70 °C |
| Storage temperature         | -40 °C...85 °C                                 |                             |                |

**Environmental Product Compliance**

|            |                |
|------------|----------------|
| REACH SVHC | Lead 7439-92-1 |
|------------|----------------|

**Rated data UL**

|                         |         |
|-------------------------|---------|
| Certificate No. (cURus) | E224238 |
|-------------------------|---------|

**Input**

|                       |              |                                |                  |
|-----------------------|--------------|--------------------------------|------------------|
| Rated control voltage | 12 V DC      | Rated current DC               | 33.3 mA          |
| Power rating          | 400 mW       | Pull-in/drop-out voltage, typ. | 8.4 V / 1.2 V DC |
| Coil resistance       | 360 Ω ± 10 % |                                |                  |

**Output**

|                         |  |  |            |
|-------------------------|--|--|------------|
| Rated switching voltage | 250 V AC                                   | Max. switching voltage, AC             | 400 V      |
| Continuous current      | 12 A                                       | Inrush current                         | 25 A / 4 s |
| Switch-on delay         | ≤ 8 ms                                     | Switch-off delay                       | ≤ 6 ms     |
| Min. switching power    | 1 mA @ 24 V, 10 mA @ 12 V,<br>100 mA @ 5 V | Max. switching frequency at rated load | 0.1 Hz     |

**Contact data**

|              |                              |                         |  |
|--------------|------------------------------|-------------------------|--|
| Contact type | 1 CO contact (AgNi<br>90/10) | Mechanical service life | AC coil 10 x 10 <sup>6</sup> switching<br>cycles, DC coil 30 x 10 <sup>6</sup><br>switching cycles |
|--------------|------------------------------|-------------------------|--|

**General data**

|             |             |                                      |     |
|-------------|-------------|--------------------------------------|-----|
| Test button | No          | Mechanical switch position indicator | No  |
| Colour      | Transparent | UL 94 flammability rating            | V-2 |

**Insulation coordination**

|   |         |                                     |                             |
|---|---------|-------------------------------------|-----------------------------|
| Rated voltage                                     | 250 V   | Surge voltage category              | III                         |
| Pollution severity                                | 2       | Insulating material group           | IIIa                        |
| Protection degree                                 | IP20    | Dielectric strength, Input/Output   | 5 kV <sub>eff</sub> / 1 min |
| Creepage and clearance distance input -<br>output | ≥ 10 mm | Dielectric strength of open contact | 1 kV <sub>eff</sub> / 1 min |

**Data sheet**

**RIDERSERIES RCL  
RCL214012**

**Weidmüller Interface GmbH & Co. KG**  
 Klingenbergstraße 16  
 D-32758 Detmold  
 Germany  
 Fon: +49 5231 14-0  
 Fax: +49 5231 14-292083  
 www.weidmueller.com

**Technical data**

**Further details of approvals / standards**

|                         |                    |                       |                |
|-------------------------|--------------------|-----------------------|----------------|
| Standards               | IEC 61810-1, UL508 | Certificate No. (CSA) | 249409-2426937 |
| Certificate No. (cURus) | E224238            |                       |                |

**Connection data**

|                        |                    |                 |      |
|------------------------|--------------------|-----------------|------|
| Wire connection method | Plug-in connection | Pitch in mm (P) | 5 mm |
|------------------------|--------------------|-----------------|------|

**Classifications**

|            |             |            |             |
|------------|-------------|------------|-------------|
| ETIM 3.0   | EC001437    | ETIM 4.0   | EC001437    |
| ETIM 5.0   | EC001437    | ETIM 6.0   | EC001437    |
| UNSPSC     | 30-21-19-17 | eClass 5.1 | 27-37-16-01 |
| eClass 6.2 | 27-37-16-01 | eClass 7.1 | 27-37-16-01 |
| eClass 8.1 | 27-37-16-01 | eClass 9.0 | 27-37-16-01 |
| eClass 9.1 | 27-37-16-01 |            |             |

**Approvals**

Approvals



ROHS Conform

**Downloads**

Engineering Data [EPLAN, WSCAD](#)

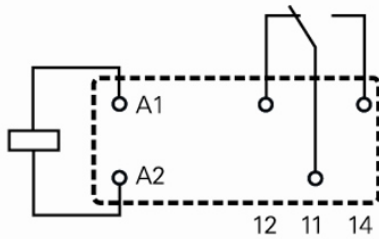
**RIDERSERIES RCL  
RCL214012**

**Weidmüller Interface GmbH & Co. KG**  
Klingenbergstraße 16  
D-32758 Detmold  
Germany  
Fon: +49 5231 14-0  
Fax: +49 5231 14-292083  
www.weidmueller.com

**Drawings****Wiring diagram****Circuit diagram**

View on pins

1 C/O changeover contacts



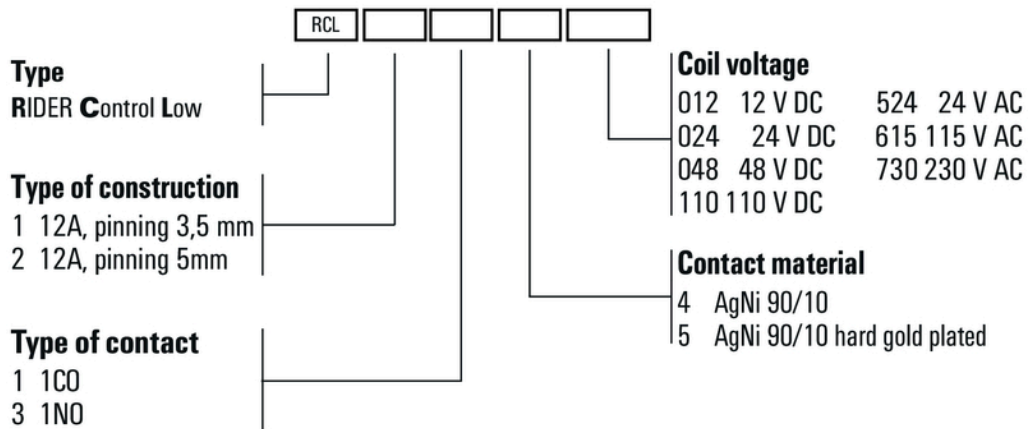
**Data sheet**

**RIDERSERIES RCL  
RCL214012**

**Weidmüller Interface GmbH & Co. KG**  
 Klingenbergstraße 16  
 D-32758 Detmold  
 Germany  
 Fon: +49 5231 14-0  
 Fax: +49 5231 14-292083  
 www.weidmueller.com

**Drawings**

**Miscellaneous**



Type codes