

RIDERSERIES RCM SCM-I 2CO P

Weidmüller Interface GmbH & Co. KG
 Klingenbergstraße 16
 D-32758 Detmold
 Germany
 Fon: +49 5231 14-0
 Fax: +49 5231 14-292083
 www.weidmueller.com

Product image



Similar to illustration

Relay base for RIDERSERIES RCM relays

- 2, 3 and 4 CO contacts
- Screw and PUSH IN wire connection
- Standard and low heights

General ordering data

Type	SCM-I 2CO P
Order No.	8876220000
Version	RIDERSERIES RCM, Relay bases, No. of contacts: 2 CO contact, Continuous current: 12 A, PUSH IN
GTIN (EAN)	4032248609031
Qty.	10 pc(s).

**RIDERSERIES RCM
SCM-I 2CO P**

Weidmüller Interface GmbH & Co. KG
 Klingenbergstraße 16
 D-32758 Detmold
 Germany
 Fon: +49 5231 14-0
 Fax: +49 5231 14-292083
 www.weidmueller.com

Technical data**Dimensions and weights**

Width	28 mm	Width (inches)	1.102 inch
Height	98 mm	Height (inches)	3.858 inch
Depth	48.3 mm	Depth (inches)	1.902 inch
Net weight	51.87 g		

Temperatures

Humidity	40 °C / 93 % rel. humidity, no condensation	Operating temperature, max.	70 °C
Operating temperature, min.	-40 °C	Storage temperature, max.	70 °C
Storage temperature, min.	-40 °C	Operating temperature	-40 °C...70 °C
Storage temperature	-40 °C...70 °C		

Environmental Product Compliance

REACH SVHC	Lead 7439-92-1
------------	----------------

Rated data UL

Certificate No. (cURus)	E223759
-------------------------	---------

Output

Rated switching voltage	250 V AC	Max. switching voltage, AC	400 V
Continuous current	12 A		

Contact data

Contact type	2 CO contact
--------------	--------------

General data

Rail	TS 35	Colour	black
UL 94 flammability rating	V-0		

Insulation coordination

Rated voltage	250 V	Surge voltage category	III
Pollution severity	2	Insulating material group	IIIa
Protection degree	IP20	Type of isolation at input and output	Basic insulation
Dielectric strength, Input/Output	2.5 kV _{eff} / 1 Min.	Creepage and clearance distance input – output	≥ 4 mm
Type of isolation at neighbouring contacts	Basic insulation	Dielectric strength of neighbouring contacts	2.5 kV _{eff} / 1 Min.
Dielectric strength of open contact	1.2 kV _{eff} / 1 min.		

Further details of approvals / standards

Standards	IEC 61810-1, UL508	Certificate No. (CSA)	249409-2295474
Certificate No. (cURus)	E223759		

**RIDERSERIES RCM
SCM-I 2CO P**

Weidmüller Interface GmbH & Co. KG
 Klingenbergstraße 16
 D-32758 Detmold
 Germany
 Fon: +49 5231 14-0
 Fax: +49 5231 14-292083
 www.weidmueller.com

Technical data**Connection data**

Wire connection method	PUSH IN	Stripping length, rated connection	12 mm
Clamping range, rated connection	1.5 mm ²	Clamping range, min.	0.75 mm ²
Clamping range, max.	1.5 mm ²	Wire cross-section, solid, min.	0.75 mm ²
Wire cross-section, solid, max.	1.5 mm ²	Wire connection cross-section, finely stranded, min.	0.75 mm ²
Wire connection cross section, finely stranded, max.	1.5 mm ²	Wire cross-section, finely stranded, max. (AWG)	AWG 16
Wire connection cross-section, finely stranded with wire-end ferrules DIN 46228/4, min.	0.75 mm ²	Wire connection cross-section, finely stranded with wire-end ferrules DIN 46228/4, max.	0.75 mm ²
Conductor cross-section, flexible, AEH (DIN 46228-1), min.	0.75 mm ²	Conductor cross-section, flexible, AEH (DIN 46228-1), max.	1 mm ²
Blade size	0.6 x 3.5 mm		

Classifications

ETIM 3.0	EC001456	ETIM 4.0	EC001456
ETIM 5.0	EC001456	ETIM 6.0	EC001456
UNSPSC	30-21-19-17	eClass 5.1	27-37-16-03
eClass 6.2	27-37-16-03	eClass 7.1	27-37-16-03
eClass 8.1	27-37-16-03	eClass 9.0	27-37-16-03
eClass 9.1	27-37-16-03		

Approvals

Approvals



ROHS

Conform

Downloads

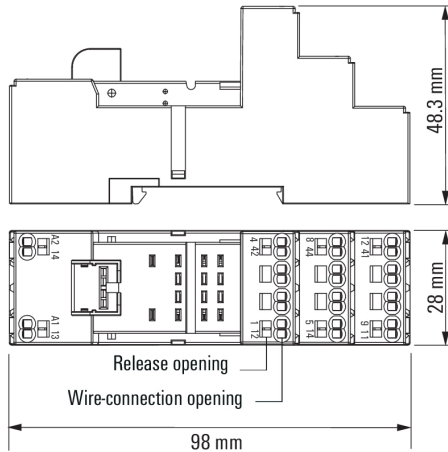
Approval/Certificate/Document of Conformity	DE_PA5600_160401_001.pdf
Brochure/Catalogue	CAT 4.2 ELECTR 18/19 EN
Engineering Data	EPLAN, WSCAD
Engineering Data	STEP

**RIDERSERIES RCM
SCM-I 2CO P**

Weidmüller Interface GmbH & Co. KG
 Klingenbergstraße 16
 D-32758 Detmold
 Germany
 Fon: +49 5231 14-0
 Fax: +49 5231 14-292083
 www.weidmueller.com

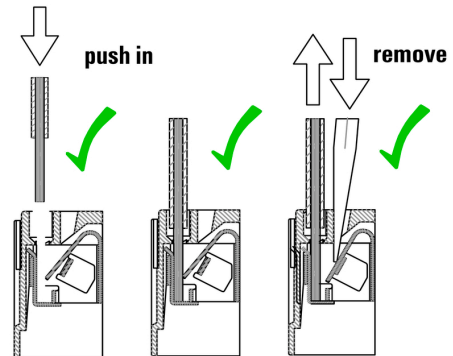
Drawings

Dimensional drawing

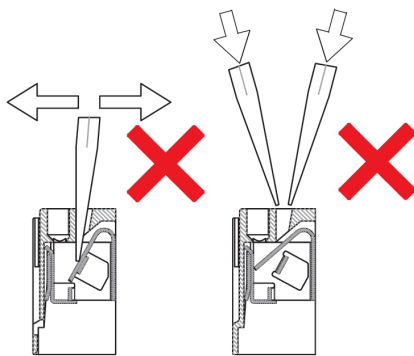


Miscellaneous

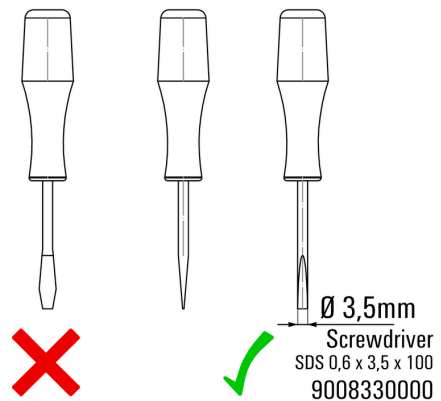
Correct handling PUSH IN connection



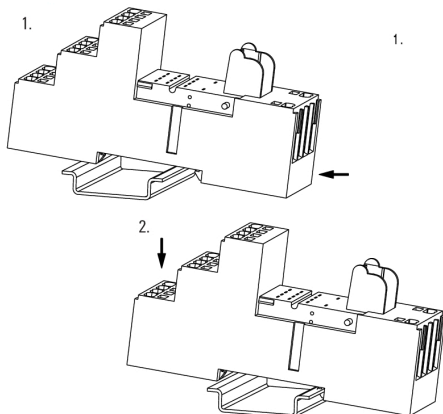
Wrong handling PUSH IN connection



Recommended screwdriver



Snap on socket



Unlatching socket

