

**Industrial Ethernet
IE-TO-LCD-MM**

Weidmüller Interface GmbH & Co. KG
Klingenbergstraße 16
D-32758 Detmold
Germany
Fon: +49 5231 14-0
Fax: +49 5231 14-292083
www.weidmueller.com



Mounting rail outlet, LC duplex junction design according to IEC 61754-20

General ordering data

Type	IE-TO-LCD-MM
Order No.	8947010000
Version	Mounting rail outlet, fibre-optic, LC Duplex, Multimode, IP20
GTIN (EAN)	4032248735020
Qty.	10 pc(s).

**Industrial Ethernet
IE-TO-LCD-MM**

Weidmüller Interface GmbH & Co. KG
Klingenbergstraße 16
D-32758 Detmold
Germany
Fon: +49 5231 14-0
Fax: +49 5231 14-292083
www.weidmueller.com

Technical data

Dimensions and weights

Net weight 32.5 g

Temperatures

Operating temperature, max.	70 °C	Operating temperature, min.	-40 °C
Operating temperature	-40 °C...70 °C	Storage temperature	
Temperature range, installation, min.	-25 °C	Installation temperature	
Temperature range, installation, max.	70 °C		

General data

Colour	Light Grey	Connection 1	LC Duplex
Connection 2	LC Duplex	Fibre type	Multimode
Housing main material	PA UL 94 V0	Insertion loss	≤ 0.4 dB
Plugging cycles	1000	Protection degree	IP20
Type of mounting	TS 35		

Standards

Connector standard IEC 61754-20

Classifications

ETIM 3.0	EC000018	ETIM 4.0	EC000018
ETIM 5.0	EC000018	ETIM 6.0	EC000313
UNSPSC	30-21-18-01	eClass 6.2	27-25-05-04
eClass 7.1	27-25-05-04	eClass 8.1	19-17-01-25
eClass 9.0	27-44-03-20	eClass 9.1	19-17-01-25

Approvals

Approvals



ROHS Conform

Downloads

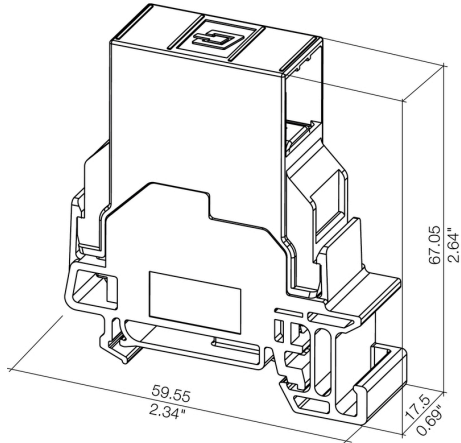
Brochure/Catalogue	CAT 9 IETH 15/16 EN FL FIELDWIRING EN PI PROFINET CABLING EN
User Documentation	MAN IE GUIDE DE MAN IE GUIDE EN

**Industrial Ethernet
IE-TO-LCD-MM**

Weidmüller Interface GmbH & Co. KG
Klingenbergstraße 16
D-32758 Detmold
Germany
Fon: +49 5231 14-0
Fax: +49 5231 14-292083
www.weidmueller.com

Drawings

Dimensioned drawing



Drawing

