

## RIDERSERIES RCM RCM570AC4

**Weidmüller Interface GmbH & Co. KG**  
Klingenbergstraße 16  
D-32758 Detmold  
Germany  
Fon: +49 5231 14-0  
Fax: +49 5231 14-292083  
www.weidmueller.com

### Product image



Similar to illustration

Standard relays in the RIDERSERIES RCM

- 4 CO contacts
- Relay with DC coil
- with test button
- With integrated status display and free-wheel diode

### General ordering data

|            |   |
|------------|---|
| Type       | RCM570AC4   |
| Order No.  | <a href="#">8957170000</a>  |
| Version    | RIDERSERIES RCM, Relay, No. of contacts: 4<br>CO contact with test button AgNi 90/10, Rated<br>control voltage: 24 V DC, Continuous current: 6 A,<br>Plug-in connection |
| GTIN (EAN) | 4032248755448   |
| Qty.       | 10 pc(s).   |

**RIDERSERIES RCM  
RCM570AC4**

**Weidmüller Interface GmbH & Co. KG**  
 Klingenbergstraße 16  
 D-32758 Detmold  
 Germany  
 Fon: +49 5231 14-0  
 Fax: +49 5231 14-292083  
 www.weidmueller.com

**Technical data**
**Dimensions and weights**

|            |         |                 |            |
|------------|---------|-----------------|------------|
| Width      | 22.5 mm | Width (inches)  | 0.886 inch |
| Height     | 28 mm   | Height (inches) | 1.102 inch |
| Depth      | 29 mm   | Depth (inches)  | 1.142 inch |
| Net weight | 28.5 g  |                 |            |

**Temperatures**

|                             |  |                             |                |
|-----------------------------|--|-----------------------------|----------------|
| Humidity                    | 40 °C / 93 % rel. humidity,<br>no condensation | Operating temperature, max. | 70 °C          |
| Operating temperature, min. | -40 °C   | Storage temperature, max.   | 85 °C          |
| Storage temperature, min.   | -40 °C   | Operating temperature       | -40 °C...70 °C |
| Storage temperature         | -40 °C...85 °C                                 |                             |                |

**Environmental Product Compliance**

REACH SVHC Lead 7439-92-1

**Rated data UL**

Certificate No. (cURus) E224238

**Input**

|                       |                     |                                |                 |
|-----------------------|---------------------|--------------------------------|-----------------|
| Rated control voltage | 24 V DC             | Rated current DC               | 31.3 mA         |
| Power rating          | 750 mW              | Pull-in/drop-out voltage, typ. | 18 V / 2.4 V DC |
| Coil resistance       | 777 Ω ± 10 %        | Status indicator               | Green LED       |
| Protective circuit    | Free-wheeling diode |                                |                 |

**Output**

|                         |  |  |              |
|-------------------------|--|--|--------------|
| Rated switching voltage | 240 V AC                                   | Max. switching voltage, AC             | 240 V        |
| Continuous current      | 6 A  | Inrush current                         | 12 A / 20 ms |
| Switch-on delay         | ≤ 15 ms                                    | Switch-off delay                       | < 20 ms      |
| Min. switching power    | 1 mA @ 24 V, 10 mA @ 12 V,<br>100 mA @ 5 V | Max. switching frequency at rated load | 0.1 Hz       |

**Contact data**

|  |   |  |
|--|---|--|
| Contact type                               | Mechanical service life   |  |
| 4 CO contact with test button (AgNi 90/10) | AC coil 20 x 10 <sup>6</sup> switching cycles,<br>DC coil 30 x 10 <sup>6</sup> switching cycles |  |

**General data**

|             |                |                                      |     |
|-------------|----------------|--------------------------------------|-----|
| Test button | yes (lockable) | Mechanical switch position indicator | Yes |
| Colour      | Transparent    | UL 94 flammability rating            | V-2 |

**RIDERSERIES RCM  
RCM570AC4**

**Weidmüller Interface GmbH & Co. KG**  
 Klingenbergstraße 16  
 D-32758 Detmold  
 Germany  
 Fon: +49 5231 14-0  
 Fax: +49 5231 14-292083  
 www.weidmueller.com

**Technical data**
**Insulation coordination**

|  |                                |  |                                |
|--|--------------------------------|--|--------------------------------|
| Rated voltage                                  | 250 V                          | Surge voltage category                       | III                            |
| Pollution severity                             | 2                              | Insulating material group                    | IIIa                           |
| Protection degree                              | IP20                           | Dielectric strength, Input/Output            | 2.5 kV <sub>eff</sub> / 1 Min. |
| Creepage and clearance distance input – output | ≥ 4 mm                         | Dielectric strength of neighbouring contacts | 2 kV <sub>eff</sub> / 1 min    |
| Dielectric strength of open contact            | 1.2 kV <sub>eff</sub> / 1 min. | Impulse withstand voltage                    | 5 kV (1.2/50 µs)               |

**Further details of approvals / standards**

|                         |                    |                       |                |
|-------------------------|--------------------|-----------------------|----------------|
| Standards               | IEC 61810-1, UL508 | Certificate No. (CSA) | 249409-2426937 |
| Certificate No. (cURus) | E224238            |                       |                |

**Connection data**

|                        |                    |
|------------------------|--------------------|
| Wire connection method | Plug-in connection |
|------------------------|--------------------|

**Classifications**

|            |             |            |             |
|------------|-------------|------------|-------------|
| ETIM 3.0   | EC001437    | ETIM 4.0   | EC001437    |
| ETIM 5.0   | EC001437    | ETIM 6.0   | EC001437    |
| UNSPSC     | 30-21-18-01 | eClass 6.2 | 27-37-16-01 |
| eClass 7.1 | 27-37-16-01 | eClass 8.1 | 27-37-16-01 |
| eClass 9.0 | 27-37-16-01 | eClass 9.1 | 27-37-16-01 |

**Approvals**

Approvals



|      |         |
|------|---------|
| ROHS | Conform |
|------|---------|

**Downloads**

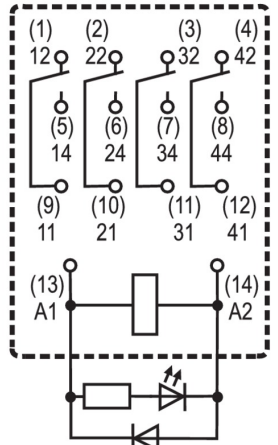
|   |  |
|---|--|
| Approval/Certificate/Document of Conformity | <a href="#">DE_PA5600_160401_001.pdf</a> |
| Brochure/Catalogue                          | <a href="#">CAT 4.2 ELECTR 18/19 EN</a>  |
| Engineering Data                            | <a href="#">EPLAN, WSCAD</a>             |
| Engineering Data                            | <a href="#">STEP</a>                     |

**RIDERSERIES RCM  
RCM570AC4**

**Weidmüller Interface GmbH & Co. KG**  
Klingenbergstraße 16  
D-32758 Detmold  
Germany  
Fon: +49 5231 14-0  
Fax: +49 5231 14-292083  
www.weidmueller.com

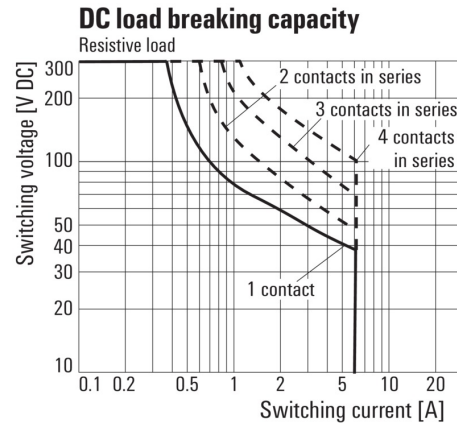
**Drawings**

**Wiring diagram**



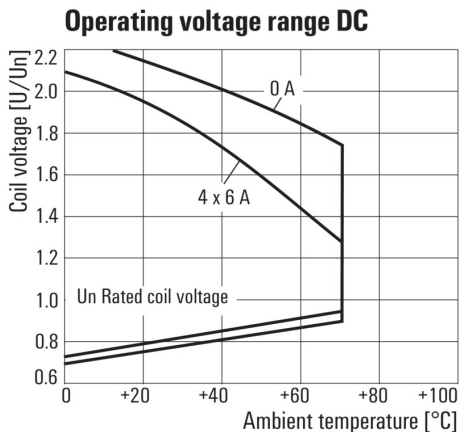
View of Pins from below

**Graph**



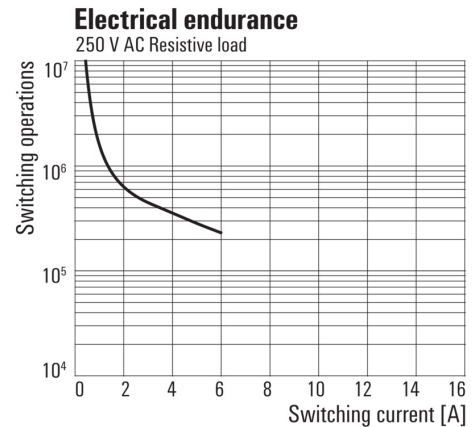
DC load limit curve  
Resistive load

**Graph**



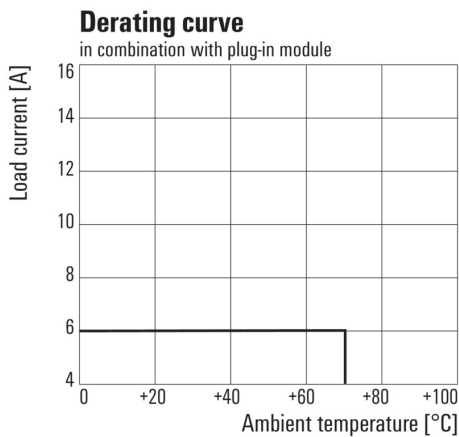
DC operational voltage range

**Graph**



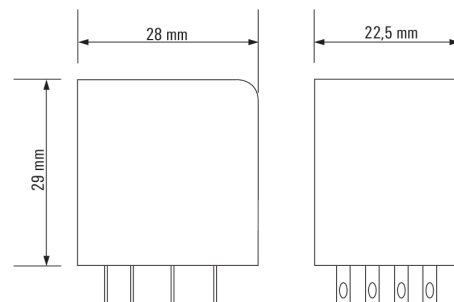
Electrical service life  
250 V AC resistive load

**Graph**



Derating curve  
Relay in combination with base

**Dimensional drawing**



**RIDERSERIES RCM  
RCM570AC4**

**Weidmüller Interface GmbH & Co. KG**  
 Klingenbergstraße 16  
 D-32758 Detmold  
 Germany  
 Fon: +49 5231 14-0  
 Fax: +49 5231 14-292083  
 www.weidmueller.com

**Drawings**

**Miscellaneous**



Type codes