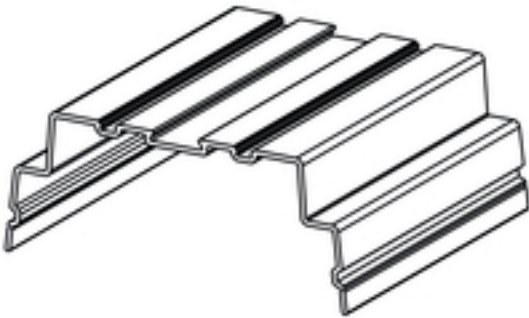


**RS 100**  
**ADP 10**

**Weidmüller Interface GmbH & Co. KG**  
 Klingenbergstraße 16  
 D-32758 Detmold  
 Germany  
 Fon: +49 5231 14-0  
 Fax: +49 5231 14-292083  
 www.weidmueller.com


**Flexible - More flexible - Profilform**

Modular housings in profile form - the flexible modular system comprising coloured and transparent plastic profiles and carrier modules

The combination of standard pitches mounted side by side in any arrangement and metre goods cut accurate to the millimetre creates the perfect balance between flexibility and economic efficiency:

- Pitch profiles with standard widths ranging from 5mm to 45mm allow the mounting of all standard PCB formats.
- Variable heights ensure maximum component density, even with larger electronics components.
- The different installation variations mean that mounting the enclosure directly is as easy as clipping components onto the terminal rail
- Solid hoods protect the module reliably from external influences

The recipe for success: variable profile + modular form components = flexible enclosure concept that offers a large surface area for the PCBs.

The modular concept is designed for modules with high space requirements and suitable for small component quantities and different widths.

**General ordering data**

Type	ADP 10
Order No.	<a href="#">4169320000</a>
Version	Hood, RS 100 Transparent, Cover profile, Width: 108 mm
GTIN (EAN)	4008190243517
Qty.	2 m

**RS 100  
ADP 10**

**Weidmüller Interface GmbH & Co. KG**  
 Klingenbergstraße 16  
 D-32758 Detmold  
 Germany  
 Fon: +49 5231 14-0  
 Fax: +49 5231 14-292083  
 www.weidmueller.com

**Technical data****Dimensions and weights**

Length	2,000 mm	Length (inches)	78.74 inch
Width	108 mm	Width (inches)	4.252 inch
Height	44 mm	Height (inches)	1.732 inch
Net weight	433 g		

**System characteristics**

Version	Cover profile	Cross-connection	No
Contact to terminal rail	No	Protection degree	IP20
Encapsulation option	No		

**Material data**

Insulating material	PA 66	Colour	Transparent
CTI	≥ 600	UL 94 flammability rating	V-2
Storage temperature, min.	-25 °C	Storage temperature, max.	55 °C
Max. relative humidity during storage	80 %	Operating temperature, min.	-50 °C
Operating temperature, max.	100 °C	Temperature range, installation, min.	-25 °C
Temperature range, installation, max.	100 °C		

**Classifications**

ETIM 3.0	EC000886	ETIM 5.0	EC000886
ETIM 6.0	EC002848	UNSPSC	30-21-18-27
eClass 5.1	27-14-11-33	eClass 6.2	27-40-08-13
eClass 7.1	27-14-11-33	eClass 8.1	27-14-11-33
eClass 9.0	27-14-11-92	eClass 9.1	27-14-11-92

**Notes**

## Notes

Descriptive text technical data

**3 heights are available for the cover profile and the end plates:****TS mounting without cover: TS 32 = 45 mm, TS35x7.5 = 40.5 mm****TS mounting with low cover: TS 32 = 89 mm, TS 35x7.5 = 84.5 mm****TS mounting with high cover: TS 32 = 121 mm, TS 35x7.5 = 116.5 mm****Direct mounting, without/low/high cover: 24 / 69 / 99 mm****Dimensions of the PCB****Thickness: 1.6 (±0.2) mm, width: 100 (+0.5) mm****Dimension of the RS section = length of the printed circuit board - 4.5 mm****Dimension of ADP section = PCB length - 1 mm****Example:****PCB length 160 mm, RS = 155.5 mm, ADP = 159 mm****Approvals**

ROHS	Conform
------	---------

**Data sheet****RS 100**  
**ADP 10****Weidmüller Interface GmbH & Co. KG**  
Klingenbergstraße 16  
D-32758 Detmold  
Germany  
Fon: +49 5231 14-0  
Fax: +49 5231 14-292083  
www.weidmueller.com**Technical data****Downloads**

Brochure/Catalogue

[FL ANALO.SIGN.CONV. EN](#)  
[MB DEVICE MANUF. EN](#)  
[CAT 2 PORTFOLIOGUIDE EN](#)  
[FL MACHINE SAFETY EN](#)  
[FL 72H SAMPLE SER EN](#)  
[PO OMNIMATE EN](#)

**Data sheet**

**RS 100  
ADP 10**

**Weidmüller Interface GmbH & Co. KG**  
 Klingenbergstraße 16  
 D-32758 Detmold  
 Germany  
 Fon: +49 5231 14-0  
 Fax: +49 5231 14-292083  
 www.weidmueller.com

**Drawings**

