
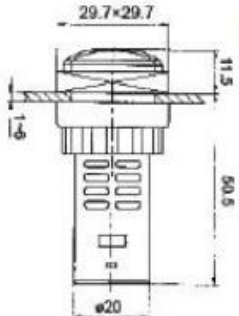


Datasheet



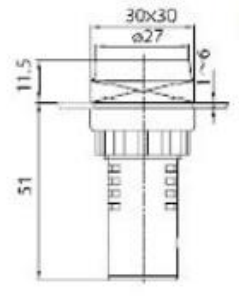
Item no. TC-1578848

Waterproof Buzzer


LA42FM	Sound	/ Rating	color
F - Disconnected		DC6V	R - Red
LF-Consecutive		DC12V	B - Black
		DC24V	
		AC230V	

Withstand voltage	2.5KV per min. (AC)
Working current	<35mA
Insulation resistance	>2MΩ
Frequency	AC50-60Hz
Sound intensity (volume)	>70dB (10cm)
Working Temperature	-20 - 60°C
Working Humidity	<98%
Protection class	IP65
Safety Approval	CE


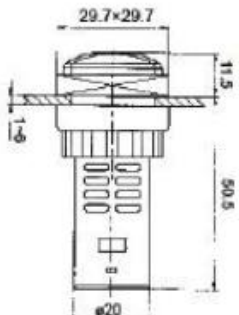




LA42FM	Sound	/ Rating	color
FA-Disconnected		DC6V	R - Red
LFA-Consecutive		DC12V	B - Black
		DC24V	
		AC230V	

Withstand voltage	2.5KV per min. (AC)
Working current	<35mA
Insulation resistance	>2MΩ
Frequency	AC50-60Hz
Sound intensity (volume)	>70dB (10cm)
Working Temperature	-20 - 60°C
Working Humidity	<98%
Protection class	IP65
Safety Approval	CE



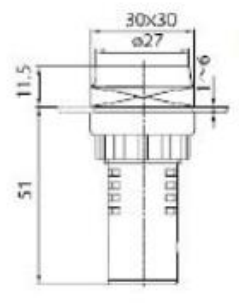


Waterproof Flashing Buzzer

LA42SM	Sound	/ Rating	color
F - Disconnected		DC6V	R - Red
LF-Consecutive		DC12V	B - Black
		DC24V	
		AC230V	

Withstand voltage	2.5KV per min. (AC)
Working current	<35mA
Insulation resistance	>2MΩ
Frequency	AC50-60Hz
Sound intensity (volume)	>70dB (10cm)
Working Temperature	-20 - 60°C
Working Humidity	<98%
Protection class	IP65
Safety Approval	CE

LA42SM	Sound	/ Rating	color
FA-Disconnected		DC6V	R - Red
LFA-Consecutive		DC12V	B - Black
		DC24V	
		AC230V	

Withstand voltage	2.5KV per min. (AC)
Working current	<35mA
Insulation resistance	>2MΩ
Frequency	AC50-60Hz
Sound intensity (volume)	>70dB (10cm)
Working Temperature	-20 - 60°C
Working Humidity	<98%
Protection class	IP65
Safety Approval	CE

