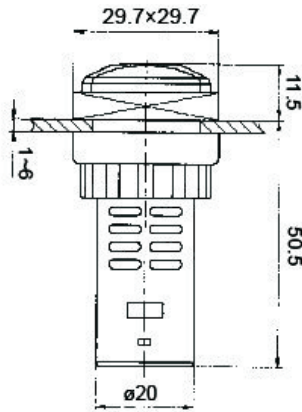


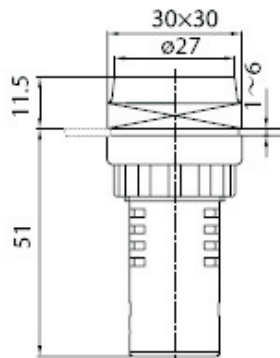
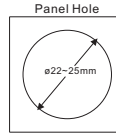
Waterproof Buzzer



LA42FM Sound / Rating color

F - Disconnected	DC6V	R - Red
LF- Consecutive	DC12V	B - Black
	DC24V	
	AC230V	

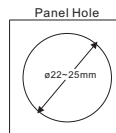
Withstand voltage	2.5KV per min. (AC)
Working current	≤35mA
Insulation resistance	≥2MΩ
Frequency	AC50~60Hz
Sound intensity(volume)	≥70dB (10cm)
Working Temperature	-20 ~ 60°C
Working Humidity	<98%
Protection class	IP65
Safety Approval	CE



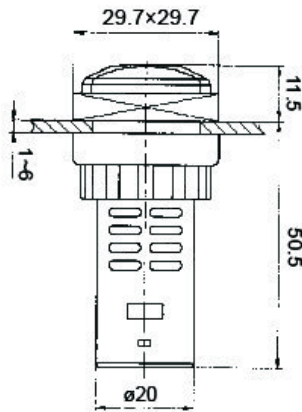
LA42FM Sound / Rating color

FA -Disconnected	DC6V	R - Red
LFA-Consecutive	DC12V	B - Black
	DC24V	
	AC230V	

Withstand voltage	2.5KV per min. (AC)
Working current	≤35mA
Insulation resistance	≥2MΩ
Frequency	AC50~60Hz
Sound intensity(volume)	≥70dB (10cm)
Working Temperature	-20 ~ 60°C
Working Humidity	<98%
Protection class	IP65
Safety Approval	CE



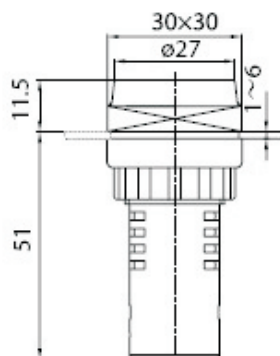
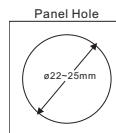
Waterproof Flashing Buzzer



LA42SM Sound / Rating color

F - Disconnected	DC6V	R - Red
LF- Consecutive	DC12V	B - Black
	DC24V	
	AC230V	

Withstand voltage	2.5KV per min. (AC)
Working current	≤35mA
Insulation resistance	≥2MΩ
Frequency	AC50~60Hz
Sound intensity(volume)	≥70dB (10cm)
Working Temperature	-20 ~ 60°C
Working Humidity	<98%
Protection class	IP65
Safety Approval	CE



LA42SM Sound / Rating color

FA -Disconnected	DC6V	R - Red
LFA-Consecutive	DC12V	B - Black
	DC24V	
	AC230V	

Withstand voltage	2.5KV per min. (AC)
Working current	≤35mA
Insulation resistance	≥2MΩ
Frequency	AC50~60Hz
Sound intensity(volume)	≥70dB (10cm)
Working Temperature	-20 ~ 60°C
Working Humidity	<98%
Protection class	IP65
Safety Approval	CE

