



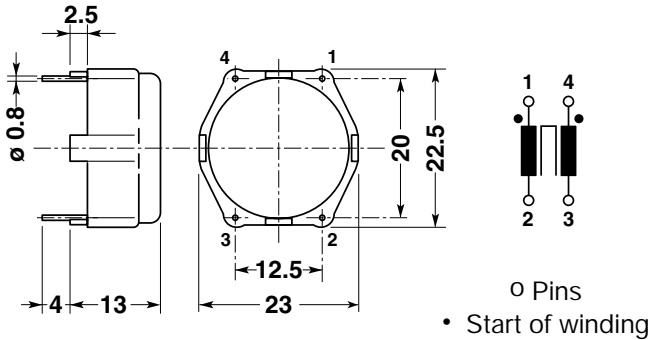
Current-compensated Noise Suppression Chokes

TYPES
42H22
42V25

CASE VERSION

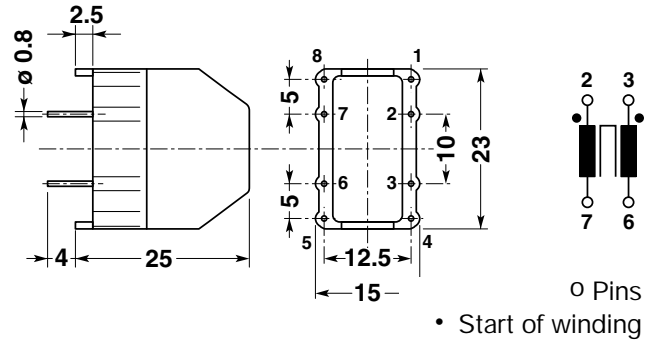
Voltage 250 Vac
Current 0.3 to 3 A

These chokes are fitted with high-permeability toroid core (ferrite). They are mainly used in devices equipped with switched-mode power supplies, and in filters designed to prevent both the spread of parasitic noise within the device, and the effects of line noise on the device itself.



42H22
Horizontal mounting

0 Pins
• Start of winding
Dimensions in mm
Pins are tinned



42V25
Vertical mounting

0 Pins
• Start of winding
Optional pins: 1-8/4-5

TYPES

Horizontal	Vertical	Rated current per winding A	Rated inductance per winding mH	DC resistance per winding (typical) m Ω
Code	Code			
42H22 03 00	42V25 03 00	0.3	47	1400
42H22 05 00	42V25 05 00	0.5	27	900
	42V25 05 01	0.5	39	1100
	42V25 05 02	0.5	47	1200
	42V25 06 00	0.6	18	480
	42V25 08 00	0.8	15	360
	42V25 08 01	0.8	27	500
	42V25 08 02	0.8	18	400
42H22 10 00	42V25 10 00	1	10	450
	42V25 10 01	1	15	540
	42V25 10 02	1	5	300
	42V25 12 00	1.2	10	400
	42V25 15 00	1.5	6.8	260
42H22 20 00	42V25 20 00	2	2.2	70
	42V25 25 00	2.5	3.3	120
42H22 30 00	42V25 30 00	3	1.2	70

Technical Data

Rated current: referred to 250 V-50 Hz and +60°C ambient temperature.
 Inductance tolerance: +50 -30%
 Climatic category: DIN GKC (-40 to +125°C; humidity cat. C)
 Overtemperature of windings: < 55°C
 Approx. weight: 12 g

Approval: VDE

More technical data see p. 17

