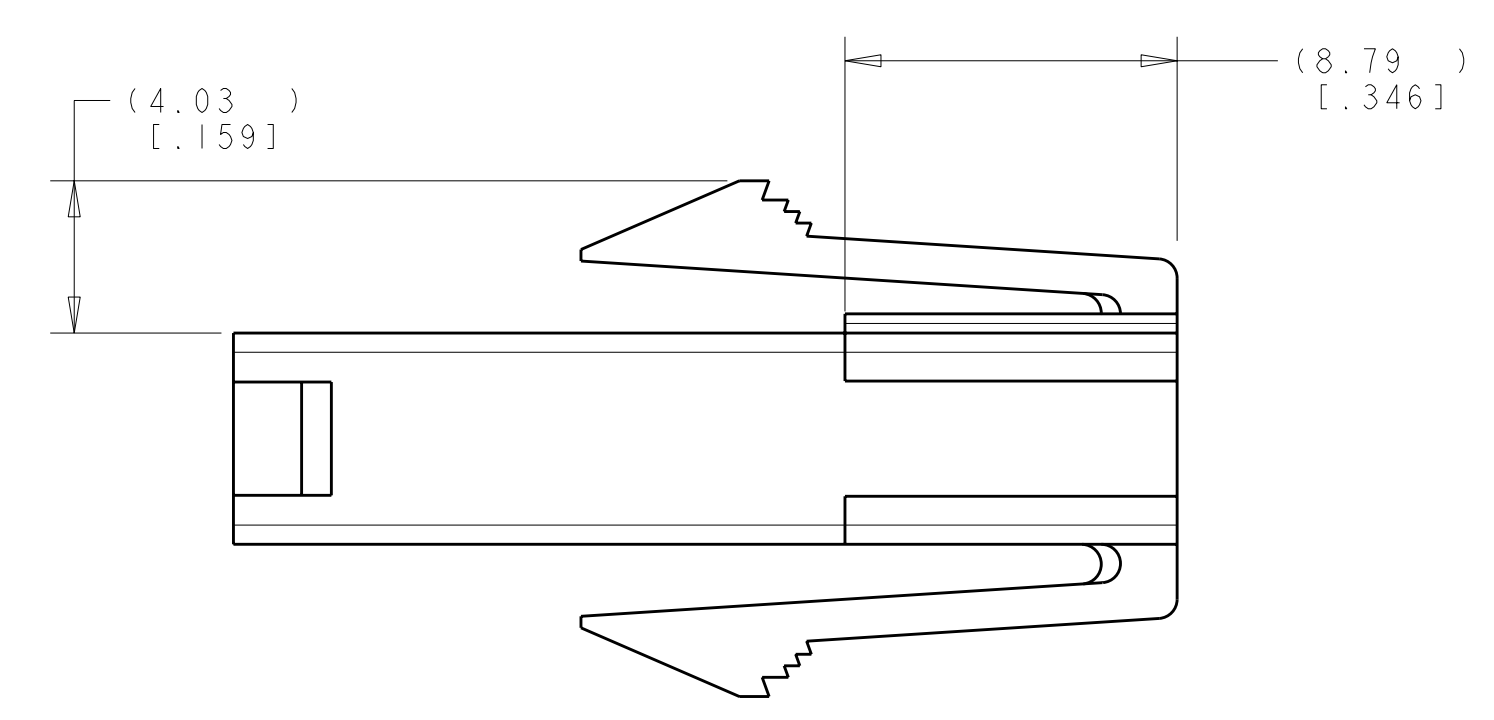
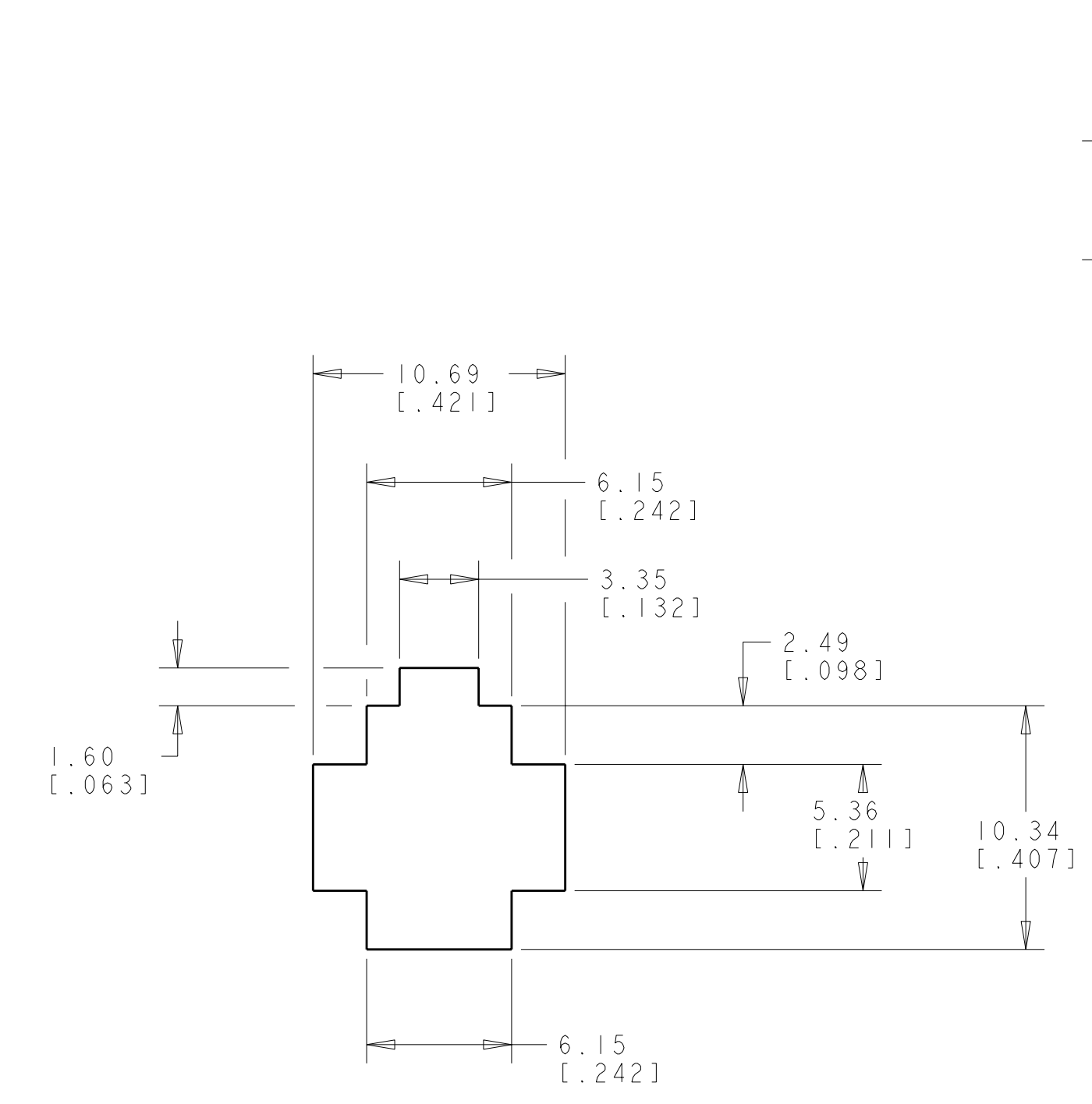
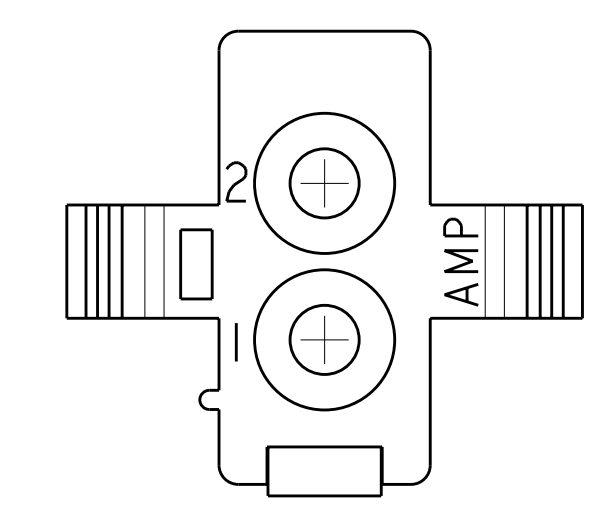
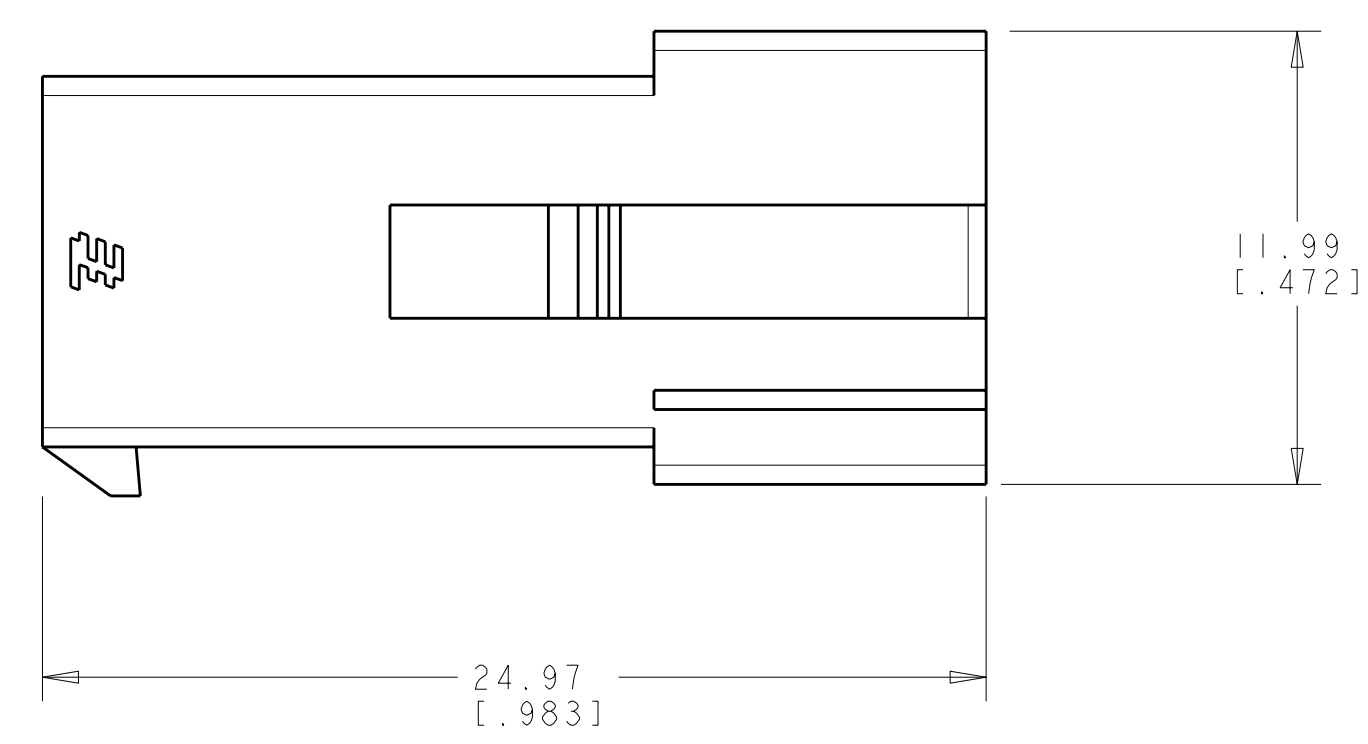
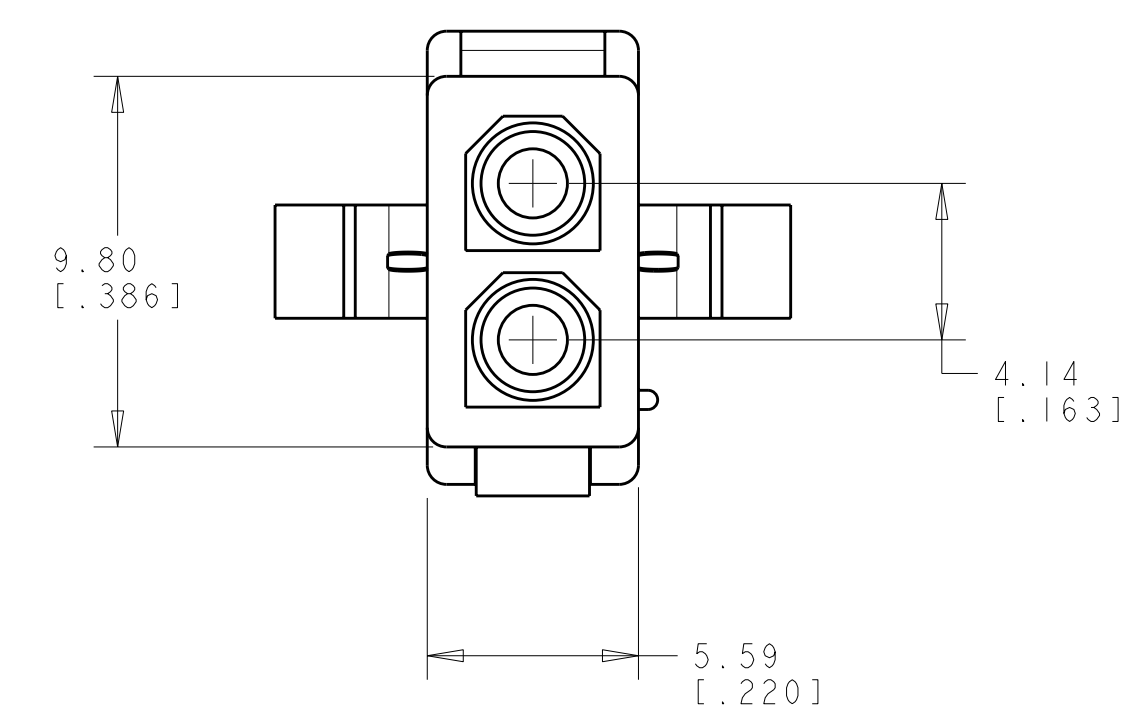


LOC	DIST	REVISIONS			
P	LTB	DESCRIPTION	DATE	DWN	APVD
CM	00	A2	ECR-11-023708	22NOV2011	MGT R, P

1. APPLICABLE CONTACT P/N: 170539, 170360, 170361, 170362.
2. MATING HOUSING P/N: 794894.
3. RECOMMENDED PANEL THICKNESS TO BE 0.8-2.0 [.031-.079].
4. HOUSING INSERTION INTO THE PANEL CUT OUT MUST BE IN THE SAME DIRECTION AS THE PUNCH.
5. GWT 750° (WITH OUT FLAME) ACC. IEC 60335-1



RECOMMENDED PANEL CUT OUT
SCALE 4:1

REMARKS	COLOUR	MATERIAL	PART NUMBER
3	NATURAL	PA6 UL94-V2	794896-3
3	RED	PA6 UL94-V2	794896-2
	NATURAL	PA66/6 UL94-V0	794896-1

THIS DRAWING IS A CONTROLLED DOCUMENT.		DWN R. WHITAKER 29JAN2001	NAME	
DIMENSIONS: mm [INCHES]		CHK C. JONES 29JAN2001	CAP. 2 CIRCUIT, SEALED APPLICATION, MINI UNIVERSAL MATE-N-LOK™	
TOLERANCES UNLESS OTHERWISE SPECIFIED:		APVD C. JONES 29JAN2001	SIZE	CAGE CODE
0 PLC ±	1 PLC ±	PRODUCT SPEC	A1	794896
2 PLC ±0.13 [1.015]	3 PLC ±	APPLICATION SPEC	SCALE	SHEET
4 PLC ±.005	5 PLC ±	WEIGHT	5:1	1 OF 1
ANGLES ±	FINISH ±	CUSTOMER DRAWING	REV	A2

