

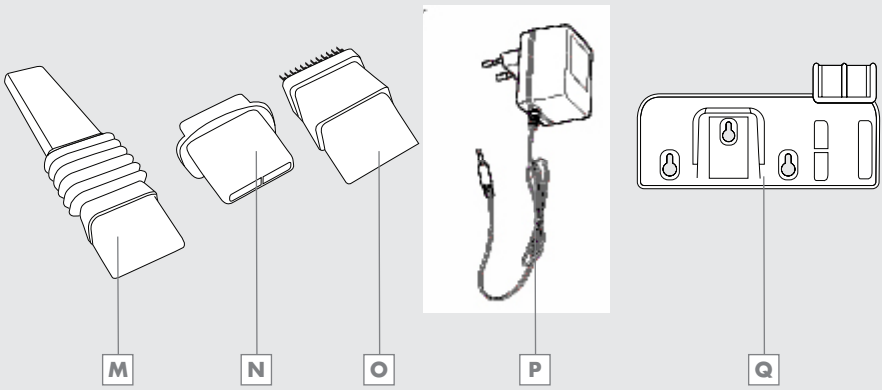
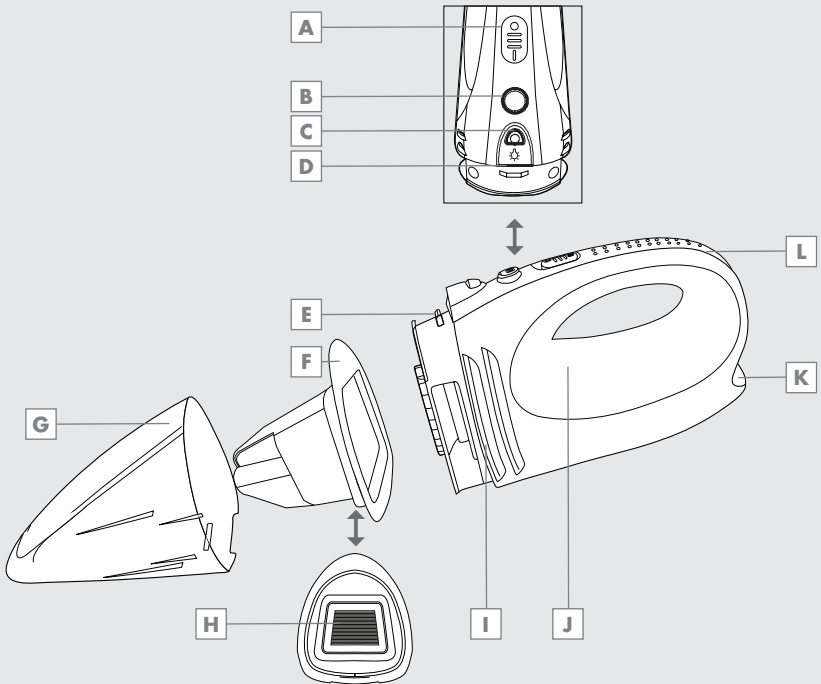
FOR A GOOD REASON

**GRUNDIG**

**WET & DRY  
HANDHELD  
VACUUM CLEANER**

VCH 6130

**en**




# SAFETY AND SET-UP

---

Please read this instruction manual thoroughly before using this appliance. Follow all the safety instructions to avoid damage caused by improper use.

Keep this instruction manual for future reference. Should this appliance be given to a third party, then the instruction manual must also be handed over.

- Use the vacuum cleaner for its intended purpose only.  
The vacuum is intended for household use only.
- Remove the protective foils and packaging material before use.
- Before initial usage make sure the mains voltage and current match the information on the rating label of the appliance.
- Only use the vacuum cleaner with the power adapter indoors.
- Never touch the power adapter with moist or wet hands.
- Never submerge the motor unit, the power adapter or the power cable in water or other liquids during cleaning or operation. Never hold the motor unit under running water or any other liquid.  
Should the unit happen to fall into water, unplug the power adapter immediately if connected to the power supply and have the unit examined by an expert before further use.
- Danger of suffocation! Keep all packaging materials away from children, especially small children.
- Please contact your local authority in regard to disposal and recycling in your area.
- Use only the original components or those recommended by the manufacturer.
- The appliance should not be used by the following persons, including children: those with limited physical, sensory or mental capabilities or those with a lack of experience and knowledge. This does not apply to the latter if they were instructed in the use of the appliance or if they use it under the supervision of a person responsible for their safety. Children should always be supervised to ensure that they do not play with the appliance.
- Never open the appliance under any circumstance. No warranty claims are accepted for damage caused by improper handling.
- Never use the appliance if it or the power adapter is visibly damaged.
- Ensure that the power adapter is accessible at all times.
- Unplug the vacuum cleaner from the power before cleaning or when the unit is not in use.
- Our GRUNDIG Household Appliances meet all the applicable safety standards; thus if the appliance or power adapter is damaged, it must be repaired or replaced by the dealer, a service centre or a similarly qualified and authorized service person to avoid any danger. Faulty or unqualified repair work may cause danger and risk to the user.
- Shield the power adapter from extreme heat, direct sunlight, wetness and dust.
- Do not expose the appliance to direct sunlight or another heat source whilst charging.
- Do not unplug the power adapter by pulling the cable and do not wrap the cable around the unit.
- Lay the power cable so that it cannot be pulled or tripped over unintentionally.
- Only use the power adapter with this handheld vacuum cleaner. Do not attempt to charge other devices with this power adapter under any circumstances.
- Do not insert any objects into the unit and do not cover it up.
- Take care that the ventilation slots  are not covered during usage.
- Do not use the vacuum cleaner to clean up the following: any sharp objects (e.g. broken glass), smoldering and burning objects (e.g. hot ashes, lit cigarettes), solvents or flammable liquids.
- Keep the unit away from eyes and hair while it is being used.
- Do not use the vacuum cleaner when it is still connected to the power adapter.

# SAFETY AND SET-UP

---

- Do not use the unit without the collection container or filter.
- Let the unit cool down sufficiently before storage.
- Should the batteries leak, take care that the leaked acid does not come into contact with your skin.
- The appliance batteries must be removed and disposed of in an environmentally friendly manner by a qualified expert.

# AT A GLANCE

---

Dear customer,  
Congratulations on the purchase of your new  
GRUNDIG handheld vacuum cleaner  
VCH 6130.

Please read the following user notes carefully to  
ensure you can enjoy your quality GRUNDIG  
product for many years to come.

## A responsible approach!



GRUNDIG focuses on contractually agreed social working conditions with fair wages for both internal employees and suppliers, as well as on the efficient use of raw materials with continual

waste reduction of several tonnes of plastic each year – and availability of at least 5 years for all accessories.

For a future worth living.

For a good reason. Grundig.

## Special Features

- wet & dry function
- powerful 7.2 V
- LED light enhances visibility while cleaning

## Control, parts and accessories

See the figure on page 2.

- A** On/Off switch O/I
- B** Release button
- C** Light button
- D** Light
- E** Locking mechanism
- F** Filter nozzle
- G** Container
- H** Sponge filter
- I** Ventilation slots
- J** Motor unit
- K** Adapter cable port
- L** Charge indicator
- M** Crevice tool
- N** Wet nozzle
- O** Brush attachment
- P** Power adapter
- Q** Wall rack

## Wall rack installation

### Notes

- Install the wall rack **[Q]** near an appropriate power outlet, this allows you to charge the unit hassle-free.
- Make sure that the nearest power outlet is reachable by the power adapter **[P]**.
- Leave sufficient free space above the wall rack so you can easily place the vacuum cleaner on the rack.
- Install the wall rack out of the reach of children.
- Screws and dowels are included.

1 Install the wall rack **[Q]** at the desired wall position.

2 Mark boreholes for the three screws.

### Caution

- Make sure that you do not drill over wiring, cables or water pipes!
- 3 Drill the boreholes and insert dowels.
- 4 Secure the wall rack **[Q]** with three screws.

## Charging the batteries

1 Insert the adapter cable **[P]** in the port **[K]** of the motor unit **[J]**.

2 Connect the power adapter **[P]** to an appropriate power outlet.

- The charge indicator **[L]** lights up blue and will be off after the battery is fully charged.
- The vacuum cleaner must be turned off while charging.
- The vacuum cleaner is fully charged after approx 14 hours and the operating time is 7 to 10 minutes.

### Notes

■ Only recharge the batteries when they are nearly empty. This increases the batteries lifespan.

■ Charge the batteries at a room temperature between 0°C and 37°C.

■ To increase the battery's lifespan, charge the batteries completely before the first use for approx .16 hours and discharge it again completely.

■ The maximum charging time is 24 hours and may not be exceeded.

# OPERATION

---

## Dry vacuum cleaning

- 1 Insert the filter nozzle **F** into the container **G** and the sponge filter **H** into the filter nozzle **F**.
- 2 Place the container **G** on the motor unit **J** so that the lock **E** clicks in audibly.
- 3 If necessary, connect the crevice tool **M** or brush attachment **O** to the container **G**.
- 4 To turn on, move the On/Off switch **A** in position I.
- 5 To turn off, move the On/Off switch **A** in position 0.

## Wet vacuum cleaning

- 1 Insert the filter nozzle **F** into the container **G**.
- 2 Place the container **G** on the motor unit **J** so that the lock **E** clicks in audibly.
- 3 Connect the wet nozzle **N** to the container **G**.
- 4 To turn on, move the On/Off switch **A** in position I.
- 5 To turn off, move the On/Off switch **A** in position 0.
- 6 Empty the container **G** immediately after wet vacuum cleaning.

### Notes

- If the area to be cleaned is poorly lit, push the light button **C** to turn on the light **D**. Use the same button to turn off the light.
- The capacity of the container **G** is 0.5L for dry vacuum cleaning and 0.15L for wet vacuum cleaning. Observe the MAX marker for liquids on the container **G**.
- The sponge filter **H** is not used for wet vacuum cleaning.
- Do not vacuum dry and wet dust simultaneously. Empty the container **G** between dry and wet vacuuming.

## Cleaning and care

- 1 Push the release button **B** and remove the container **G**.
- 2 Pull the sponge filter **H** by the strap from the filter nozzle **F**.
- 3 Remove the filter nozzle **F**.
- 4 Empty the container **G**.
- 5 Rinse the container **G**, sponge filter **H** and filter nozzle **F** under running water.
- 6 Use a damp rag and a mild cleaning agent for the motor unit **J** and the wall rack **Q**.

### Caution

- Never submerge the motor unit in water.
  - Do not use aggressive or abrasive cleaning agents, benzine, solvents, chemically treated rags or other cleaning agents.
- 7 Dry all components after cleaning.

### Notes

- Clean the unit after every use.
- To store and charge the vacuum cleaner, place it in the wall rack. Ensure that the container **G** is empty.
- Place the nozzles in the appropriate slots on the wall rack.

## Environmental note

This product has been made from high-quality parts and materials which can be re-used and recycled.



Therefore, do not dispose of the device and the built-in rechargeable batteries along with normal household waste at the end of its service life. Take it to a collection point for recycling of electrical and electronic equipment where the batteries are taken out of the device and disposed of separately. This is indicated by this symbol on the product, in the operating manual and on the packaging.

Please find out about collection points operated by your local authority.

Help protect the environment by recycling used products.

## Technical data

This product complies with the European Directives 2004/108/EC, 2009/125/EC and 2006/95/EC.



### Power supply

#### Adapter

Operating voltage: 230V~, 50Hz

Output voltage: 9V 200mA

#### Vacuum cleaner

Operating voltage: Ni-MH Battery 7.2V

Subject to change without prior notice!



