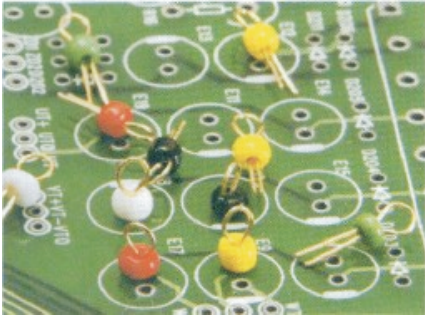


# TEST POINT



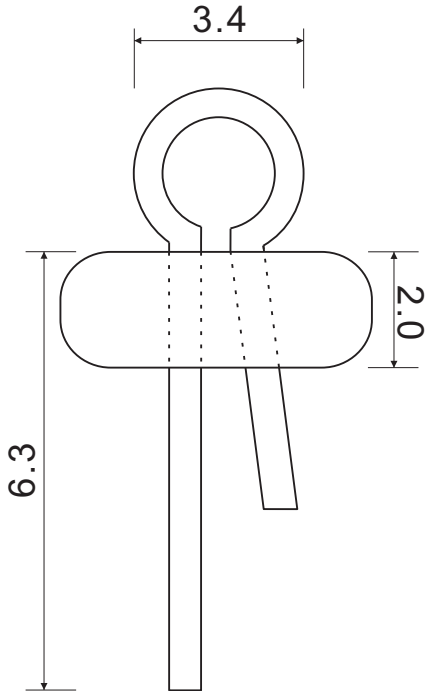
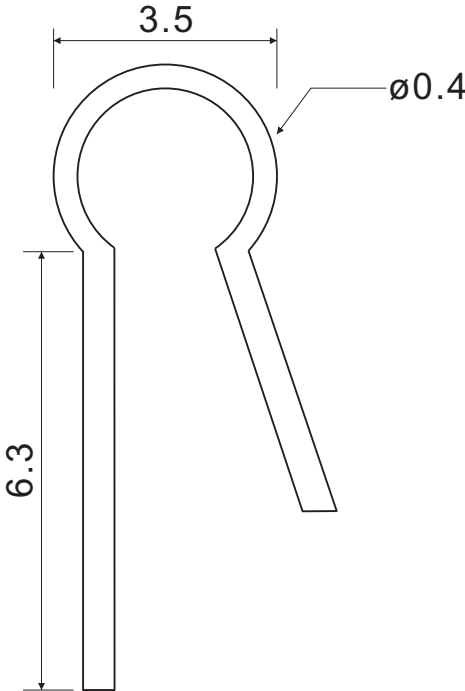
MATERIAL: PHOSPHOR BRONZE WIRE

PLATING: GOLD

INSULATION: CERAMIC

HOLE IN P.C.B:  $\phi 0.9 \sim \phi 1.0$

PART NO.	COLOR	PACKAGE
TEST-1-GN	GREEN	1000
TEST-1-BL	BLUE	
TEST-1-BK	BLACK	
TEST-1-YW	YELLOW	
TEST-1-WT	WHITE	
TEST-1-RD	RED	



Unit: mm  $\pm 0.2$