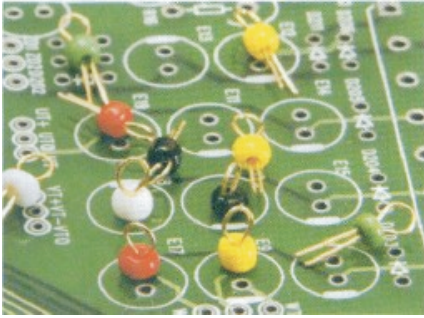


# TEST POINT



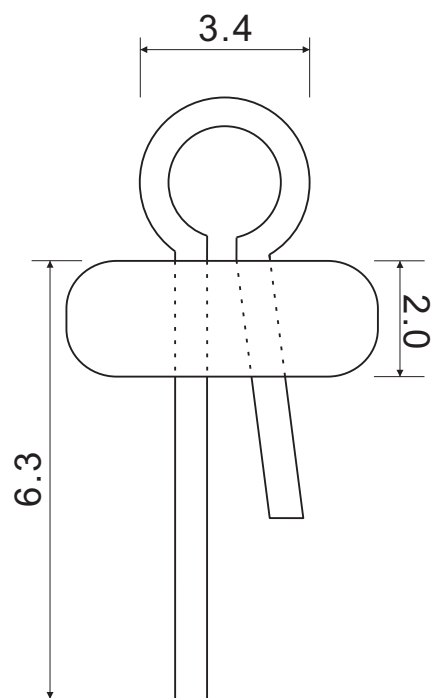
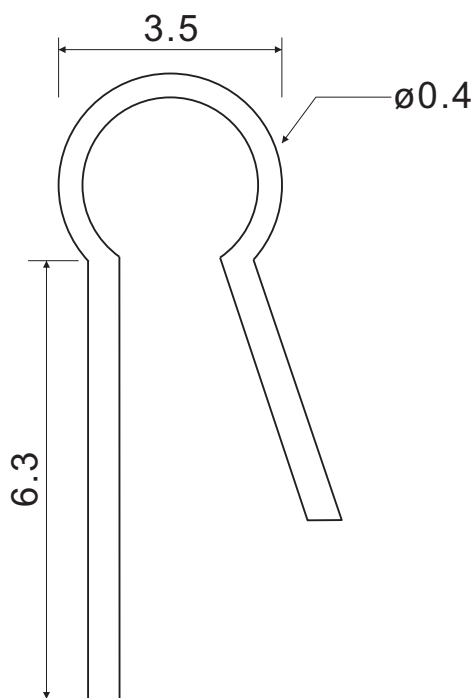
**MATERIAL: PHOSPHOR BRONZE WIRE**

**PLATING: GOLD**

**INSULATION: CERAMIC**

**HOLE IN P.C.B:  $\phi 0.9 \sim \phi 1.0$**

PART NO.	COLOR	PACKAGE
TEST-1-GN	GREEN	1000
TEST-1-BL	BLUE	
TEST-1-BK	BLACK	
TEST-1-YW	YELLOW	
TEST-1-WT	WHITE	
TEST-1-RD	RED	



Unit: mm  $\pm 0.2$