

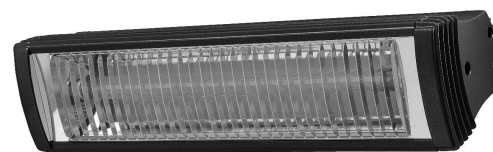
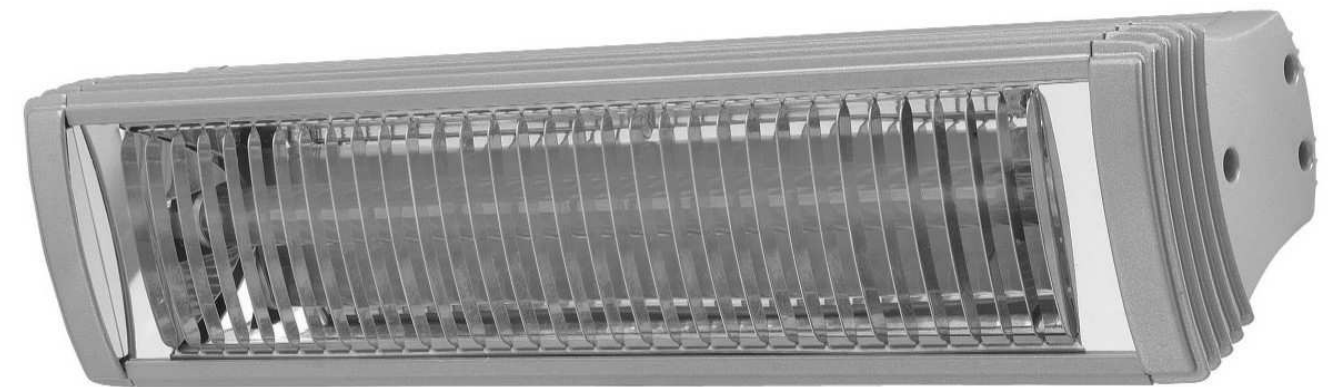
TANSUN QUARTZHEAT

Reference Manual

Rio IP

UK, EUROPEAN & AUSTRALIA/NEW ZEALAND MODELS:

RIO 210IP UK, RIO 210IP EU & RIO 210IP ANZ
RIO 215IP UK, RIO 215IP EU & RIO 215IP ANZ
RIO 220IP UK, RIO 220IP EU & RIO 220IP ANZ



TANSUN LIMITED

Spectrum House, Unit 1, Ridgacre Road, West Bromwich,
West Midlands, B71 1BW, England.

Tel: +44 (0)121 580 6200 - Fax: +44 (0)121 580 6222

Email: quartzinfo@tansun.com - Website: www.tansun.com

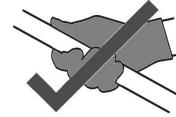
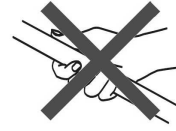
Introduction

The Rio IP heater produces radiant heat like the sun, warming people and objects rather than the air in between. It is mounted on an adjustable bracket that allows the heat to be directed exactly where it is required. Its attractive, lightweight design means that it is effective yet unobtrusive. The Rio IP is designed for indoor and outdoor use so is therefore weatherproof.

Please read the following instructions carefully before use. The safety of this heater is guaranteed only by its correct usage in accordance with these instructions, therefore it is recommended that they are retained for future reference.

Caution

- Before using this appliance:
 - Check that the voltage indicated on the type plate corresponds to the mains supply voltage.
 - Ensure that the heater has been securely fastened in its final mounting position.
- Do not locate the heater immediately below a socket outlet.
- Remove the plug from the mains socket (or disconnect pole switch) during installation, cleaning and/or replacing the emitter and always ensure that the emitter is cool.
- Do not handle the halogen emitter with bare hands. If it is inadvertently touched, remove finger marks with a soft cloth and methylated spirit or rubbing alcohol. Otherwise, the marks will burn into the quartz glass causing premature heater failure.
- Do not use an extension cable with this product.
- Keep the mains cable away from the body of the heater which will get hot during use.
- Do not cover or obstruct the heater while it is in use.
- This appliance is not intended for use by persons (including children) with reduced physical, sensory or mental capabilities, or lack of experience and knowledge, unless they have been given supervision or instruction concerning use of the appliance by a person responsible for their safety. Children should be supervised to ensure that they do not play with the appliance.
- Do not insert any object through any slot or opening in the heater.
- Do not use if guard is not present.
- Do not install less than the minimum mounting distance from the floor.
- Do not touch the heater when it is turned on, as the body gets hot.
- Do not use the heater in a bathroom.
- Warning - this appliance must be earthed!**



Your Replacement Emitter

It is very important that your replacement emitter is exactly the same as the one it was supplied with. Failure to fit the exact same type could cause the heater to fail or even become dangerous especially when used in an outdoor environment. Please contact Tansun Limited to purchase your replacement emitter and state the model number of the heater you wish to fit the emitter to.

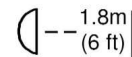
Handling the Replacement Emitter

Your new emitter should not be handled with bare hands. Remove finger marks with a soft cloth and methylated spirits or rubbing alcohol. Finger marks will burn into the emitters quartz glass causing premature failure.



Risk of Fire

Keep combustible materials such as furniture, papers, clothes and curtains at least 1.8m (6 feet) from the front of the heater and away from the sides and rear. If the lamp is to be used outside, we recommend that a waterproof or indoor socket is used.



Specification

Table 1. UK, European and Australia/New Zealand Heaters

Model	Voltage (V)	Total Power (W)	Current (A)	Min height from floor (m)	Min distance from ceiling (m)	Min distance from side wall (m)	Dimensions W x H x D (mm)	Weight (kg)	Ingress Protection (IP)
Rio 210IP	230	1000	4.3	2.0	0.3	1.5	390 x 100 x 155	2.35	IP24
Rio 215IP	230	1500	6.5	2.0	0.3	1.5	390 x 100 x 155	2.35	IP24
Rio 220IP	230	2000	8.7	2.0	0.3	1.5	390 x 100 x 155	2.35	IP24

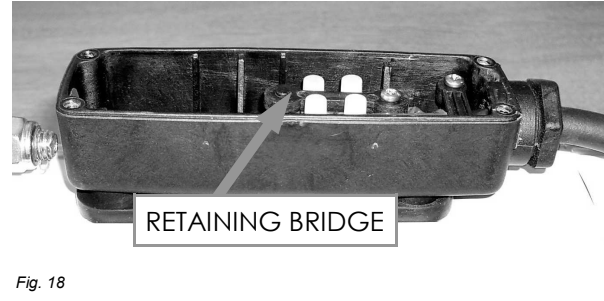
Use MCB Type 3

Following information is only for EU-member states:

The use of this symbol indicates that this product may not be treated as household waste. By ensuring this product is disposed of correctly, you will help prevent potential negative consequences for the environment and human health, which could otherwise be caused by inappropriate waste handling of this product. For more detailed information about recycling of this product, please contact your local council, your household waste disposal service or the shop where you purchased the product.



17. From inside of the heater body, push one of the leads through the black rubber gasket and into the terminal box. The gasket has two small holes in it and one wire per hole should be inserted (the sleeving needs to be pulled back so only the white wire comes through) and push it firmly into either one of the terminals. Hold in place and tighten the screw fully (Fig. 17).

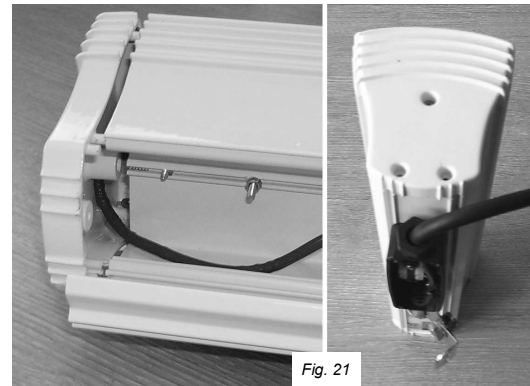
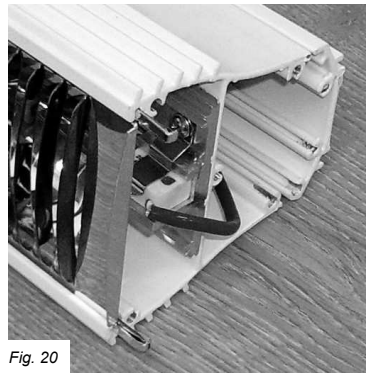


18. Push the other emitter lead through the second hole in the gasket and fit to the second terminal of the connector block (Fig. 17). The connector block can now be returned to its locating lugs and the screws checked for tightness. Replace the connector block retaining bridge and screw (Fig. 18).

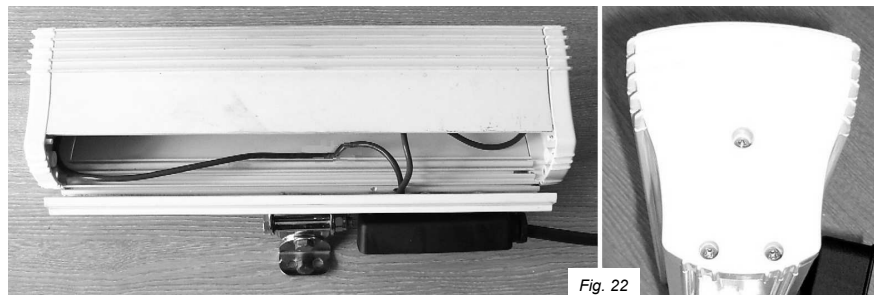


19. The back plate can now be placed on the back of the heater and the locating lugs pushed in as shown in Fig. 19.

20. The other end casing can be aligned and ensuring the lead is not going to get trapped (as step 15!) and is positioned as shown in Fig 20, push the end casing into place. It is recommended that the heater is stood up on its fixed end and downward force applied to ensure everything goes back together correctly (Fig. 21).



21. If the leads are free to move and the guard and side reflectors are in order, the back plate should be closed and all screws refitted and checked for tightness (Fig. 22).



22. Make a final check in the terminal box that all of the wires are secure and replace the cover and refit the screws.

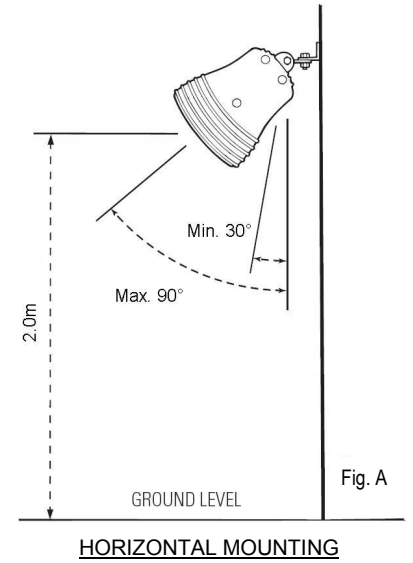
23. The heater can now be returned to its original mounting position and the mains power reconnected.



Installation

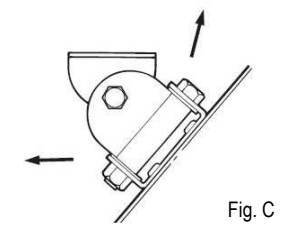
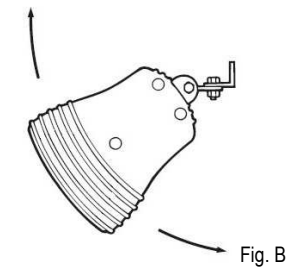
The Rio IP heater is fitted with 5.0 meters of supply cable and a moulded plug, therefore it is unnecessary to open the terminal box in order to carry out normal installation of this product and should not be interfered with.

- We recommend using a RCD where applicable.
- Please observe the minimum safe distance between the heater body and any inflammable surfaces.
- If the supply cord becomes damaged, it must be replaced by the manufacturer, its service agent or a similar qualified person in order to avoid a hazard.
- When the electrical connection is outside, it is recommended that a waterproof socket is used for the connection. Otherwise, the plug should be connected to a socket indoors.
- If in any doubt, please contact a suitably qualified electrician.



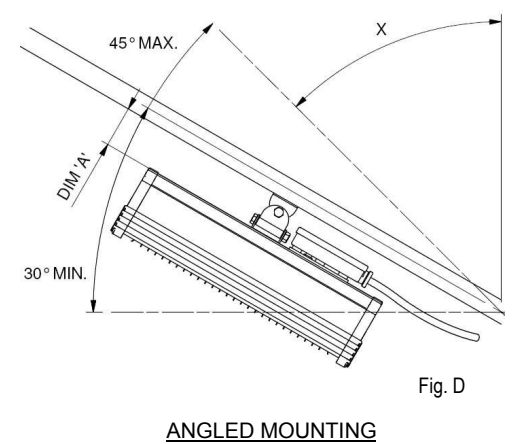
Mounting

- The Rio IP models can be mounted in a horizontal (Fig. A) or angled (Fig. D) manner.
- When mounting the Rio IP horizontally, do not position the heater at an angle more than 90° and less than 30° from the vertical mounting surface as shown in Fig. A.
- When angled mounting the Rio IP, ensure to leave a gap between the heater and mounting surface (See Fig. D - DIM 'A'). The heater should always be angled downwards when mounting this way with the terminal box at the bottom of the heater - see Fig. D. Do not position the heater at an angle more than 45° and less than 30° to the horizontal as shown.
- Always allow the heater to cool before attempting to reposition/move. Never attempt to move the heater while it is switched on!
- Observe the minimum safe distance between the heater body and inflammable surfaces and objects when mounting.
- Please refer to Table 1 for the recommended positioning of the heater.
- Keep out of the reach of children.



1. Securely fasten the Rio IP bracket to the mounting surface using the fixing holes in the bracket. Please refer to Table 1 for recommended positioning of the heater.
2. Fix in the required angular position by tightening the fixing bolt on the bracket at the rear of the heater.
3. The Rio IP bracket can be used to adjust the direction of the heater up and down (see Fig. B) and side to side (see Fig. C). This is done by loosening the bolts fixing the heater to the bracket, and then retightening once the correct position is achieved.

Always isolate the heater from the mains supply when adjusting the angular position.



Maintenance

In the event of heater failure, or for spare parts or advice, please contact the manufacturer in the first instance.

- Disconnect from the mains before commencing any maintenance procedure including cleaning.
- To ensure optimum heat effectiveness, it is recommended that that the guard and emitter are removed and the reflector is wiped with a lint-free cloth before reassembling should the reflector show signs of dust or dirt.

Replacing the Emitter

If you are in any doubt about following the procedure below, please contact us for technical assistance. The mains power should be disconnected before any attempts are made to replace the emitter. The following should be carried out with compliance to I.E.E. regulations. Please read the notes on page 7 with regards to handling and buying a replacement emitter before proceeding.

1. Ensure the heater and emitter are cool and the power supply is disconnected by removing the plug from the socket outlet.
2. Remove the heater from its mounting and work on a safe, flat surface.
3. Remove the screws from the terminal box and lift off the lid.



Fig. 1

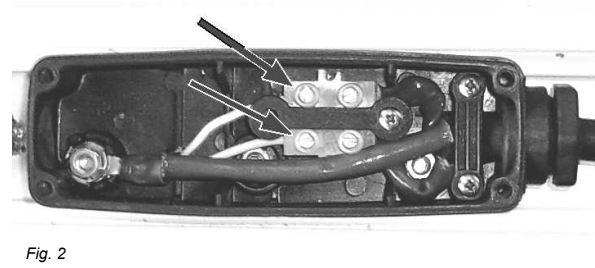


Fig. 2

4. Disconnect the emitter from the connector blocks by unscrewing the screws highlighted above in Fig. 2.
5. Unscrew the two self-tapping screws (see Fig. 3) from each side of the casing and let the back pivot down (Fig. 4).

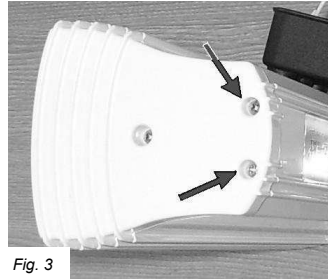


Fig. 3



Fig. 4

6. Gently pull the emitter wires through the back plate of the heater so the wires exit the terminal box (Fig 5).

7. Starting at the left hand side, remove the end casing - this may require a few gentle taps to disengage the locating lugs and allow the casing to become free. The back plate will also now be free from its fixings (Fig 6).

8. Slide out the side reflector and the guard completely through the open end to fully expose the emitter holder (Fig 7).

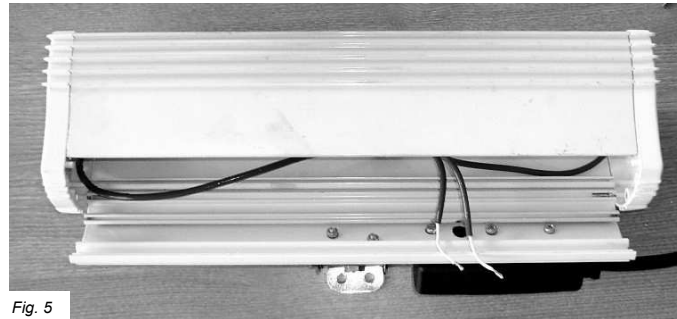


Fig. 5

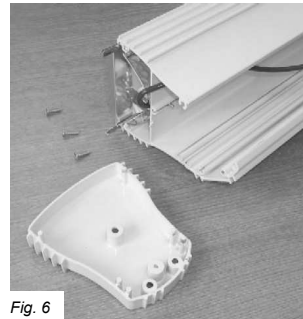


Fig. 6

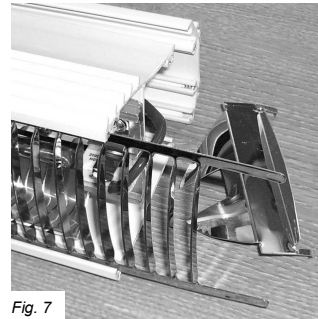


Fig. 7

9. Repeat the removal of the end casing on the opposite end and remove the other side reflector.

10. Release the emitter end by pulling the top edge of the spring clip away from the emitter on the emitter holder (a small screwdriver can be inserted into the small slot to assist pulling the clip back). Gently lift the end of the emitter upwards so it is no longer being fully retained by the clip but leave half in as shown in Fig. 8. Repeat at the opposite end and fully remove the lamp from the clip. The opposite end of the emitter can be fully released now and the emitter completely removed (Fig. 9). The heater should now be broken down in its part form as shown in Fig. 10.

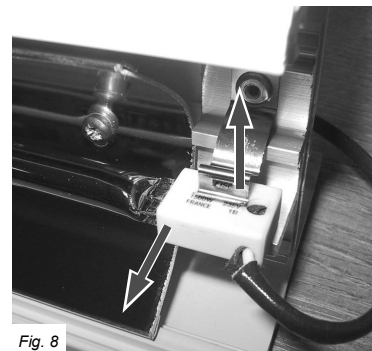


Fig. 8

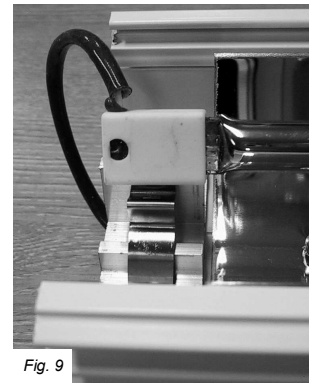


Fig. 9

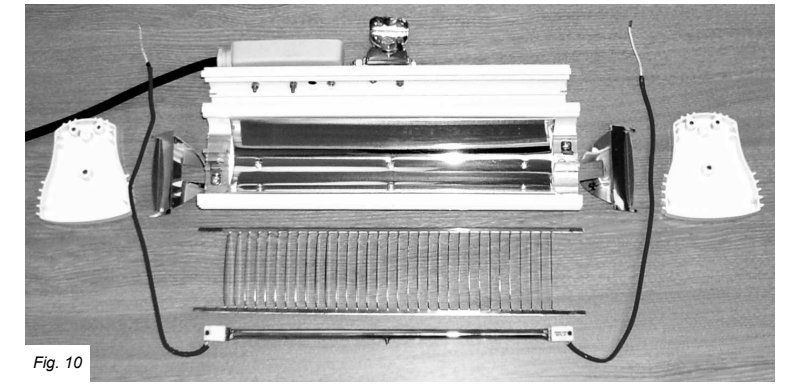


Fig. 10

11. Take your new emitter and refit by ensuring the leads are facing upwards and away from the emitter holders. The emitter can be clipped in by pulling the tabs back (Fig. 11). Please read the note about handling the emitter on page 7 before continuing.

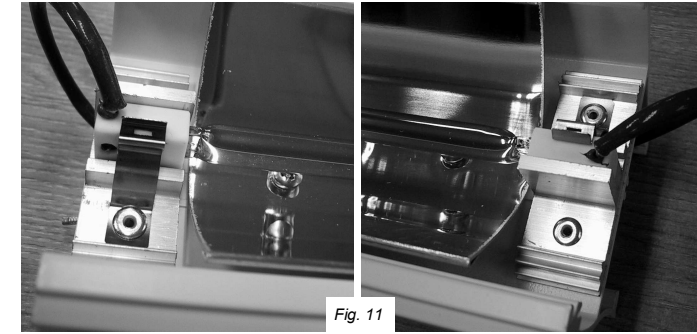


Fig. 11

12. The guard and side reflectors can now be refitted. Starting with the guard, slide it down its track and roughly centralise it. Then slide the side reflectors in at each end (Fig. 12).

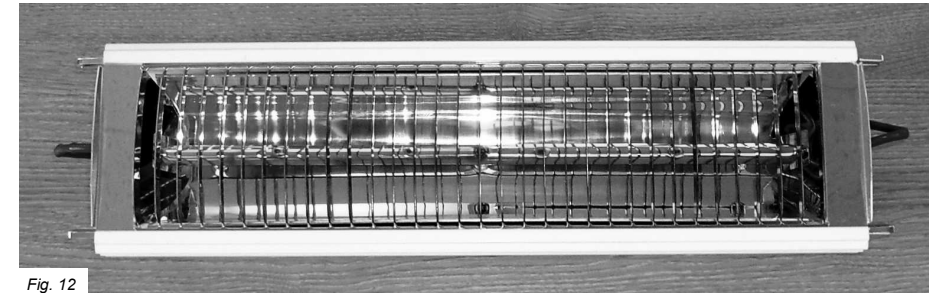


Fig. 12

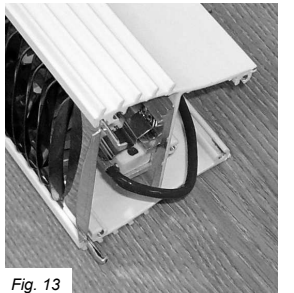


Fig. 13

13. Turn the heater over and starting with one end of the heater, place one of the emitter leads into the back of the heater and shape it so it is clear of the screw hole for the end casing (Fig. 13).

14. Take an end casing and refit by lining up the locating lugs - taking care that the emitter lead is free of the centre screw hole and rear mating surface. More pressure can be applied to the two parts to engage the lugs enough to see that the lead is not going to get trapped. This is extremely important! Should you trap a lead the heatproof sleeve should be removed and the insulation inspected for damage. **Any signs of damage will render the emitter unsuitable for use and should be replaced!**

15. If the emitter lead is free, the end casing can be fully fitted by tapping into place firstly at the front then at the back (Fig. 15). The middle screw should be refitted.

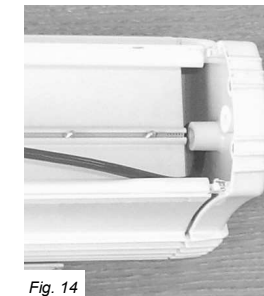


Fig. 14

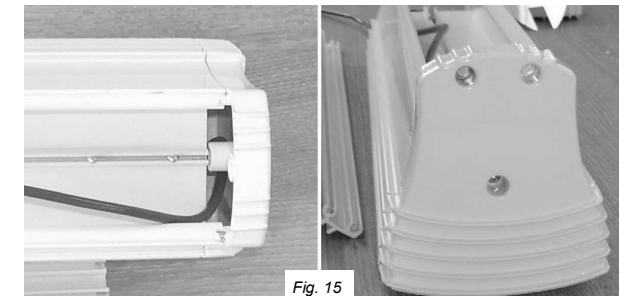


Fig. 15



Fig. 16

16. At this point, the new emitter can be connected. Firstly remove the connector block retaining bridge by removing the screw and lifting out. The connector block can be lifted out of its locating lugs to allow for better access when connecting the new emitter (see Fig. 16).