

User's Manual

GENERAL SPECIFICATION

Front panel I/O BOX with its connected cables

INSTALLATION:

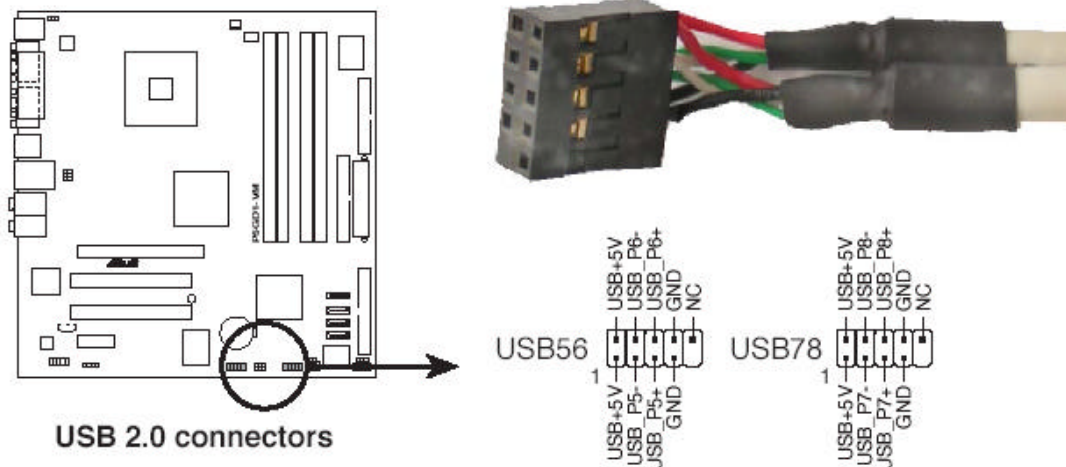
- A. Make sure the computer Power is off after shut down the computer and open the cover of the computer;
- B. Remove the 5.25" plastic cover from the computer where is the free bay you want to install;



- C. Install the transfer board to the empty bay, fix it by screws.
- D. Connect the cables attached to the BOX to the correct pins where on the Mother board when the BOX is installed:

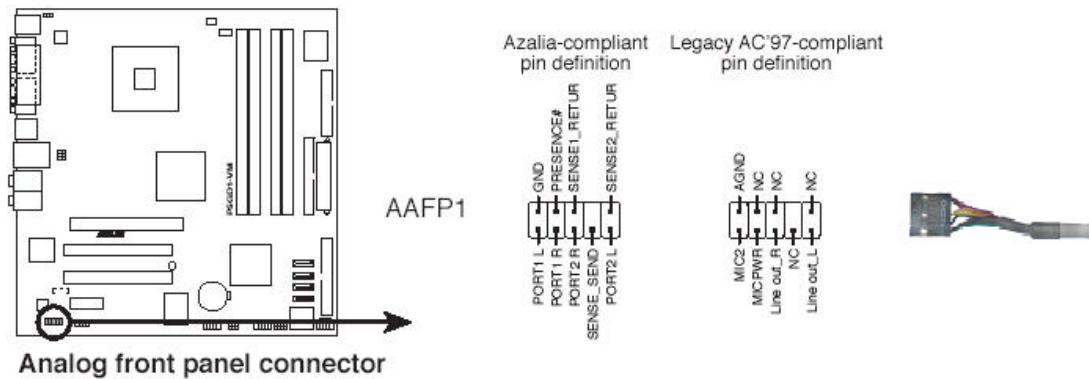
1. USB Port

Take the USB module cable to the USB 2.0 connectors which on the Mother board



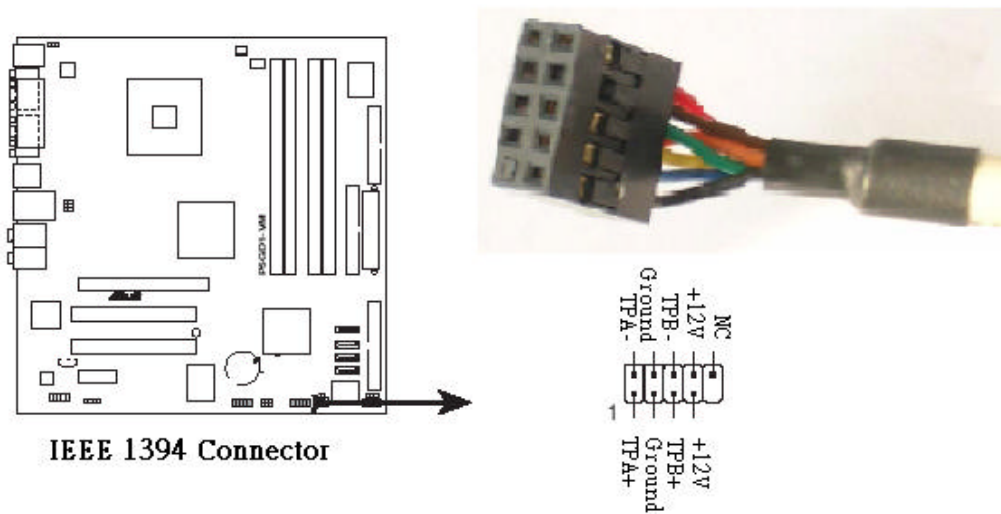
2. Audio Port

Take Audio module cable to the legacy AC'97 Audio pinheader where on the Monther board;



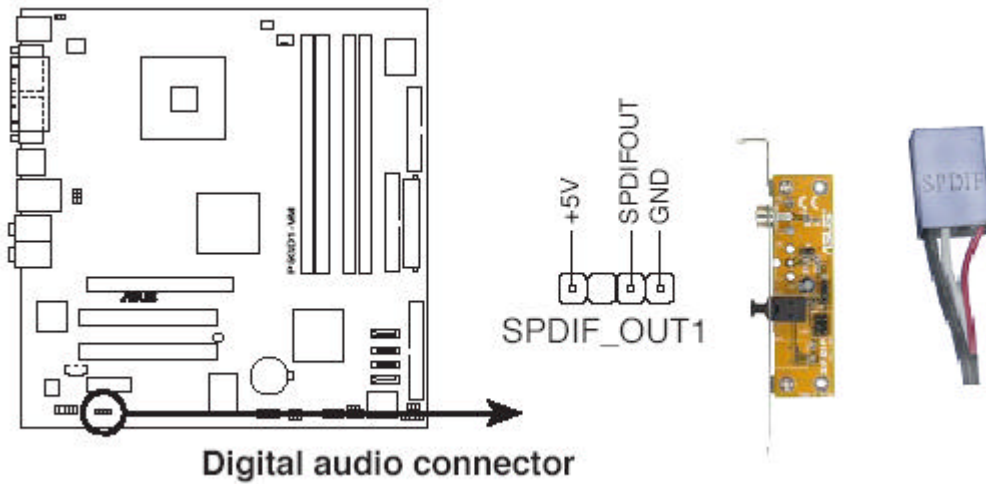
3. 1394 Port

Take the 1394 cable to the 1394 Port where on the Monther board and Make sure the housing which connect to the 1394 Pins define is correct;



4. SPDIF_OUT

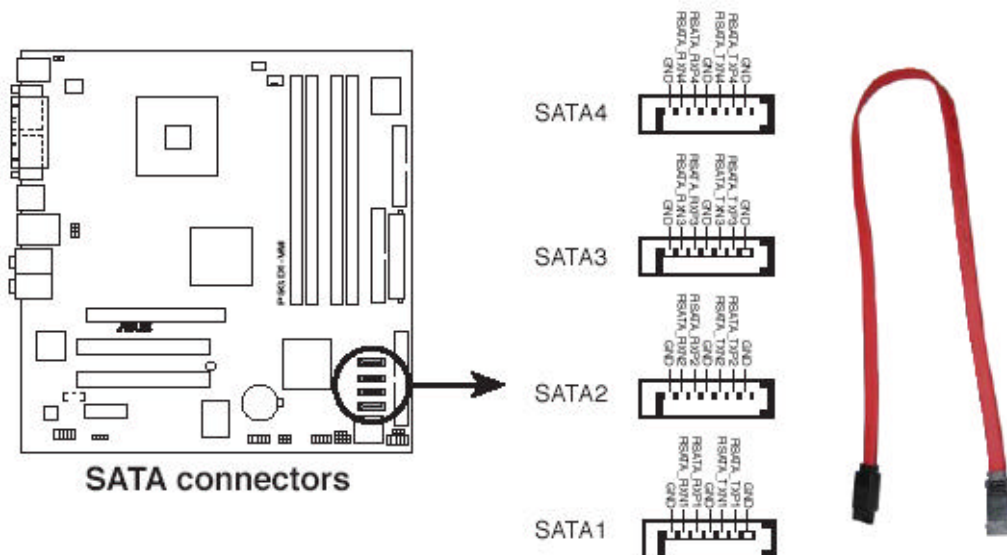
Connect the S/PDIF module cable to the S/PDIF connector which on the Monther board



5. Serial ATA Port

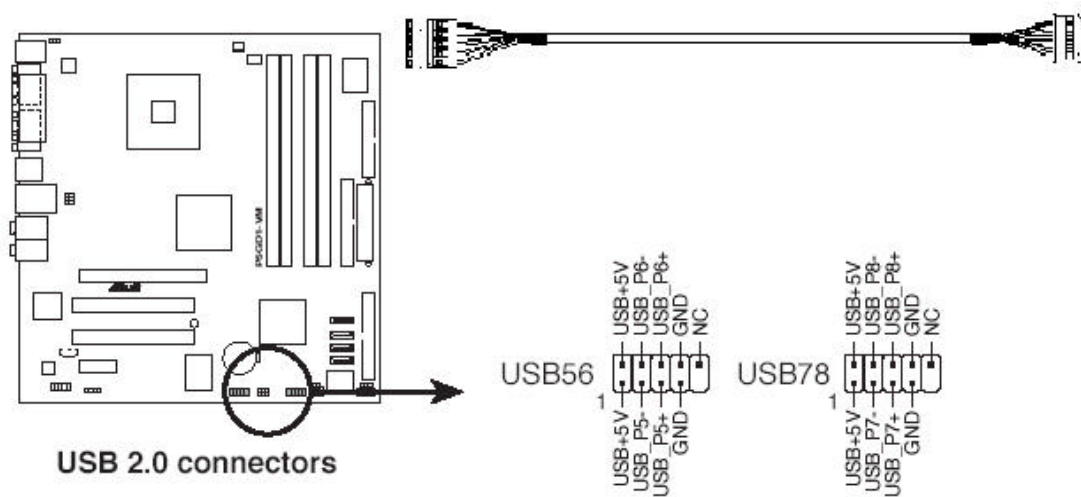
First Make sure the 4-pin power cable that from Power supply is connector to the correct location of the I/O board. And then take the Serial ATA signal cable connect to the Serial ATA port on the Monther board.

These connectors are for the Serial ATA signal cables for Serial ATA hard disk drives.

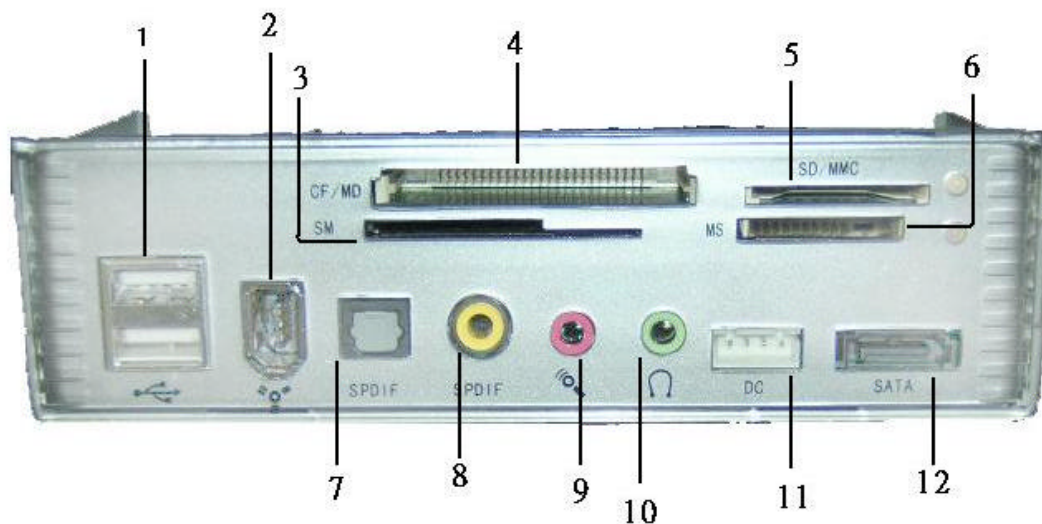


6. Card Reader

Take the 5-pin USB signal cable connect from CN1 location of the Card reader PCB to the another USB port where on the Monther board.



Front panel I/O Box Connectors



1.USB 2.0 Port These two 4-pin Universal Serial Bus ports are available for connecting USB2.0 devices.

2.IEEE 1394 This 6-pin fire wire are connecting IEEE1394 device.

3.SM Connector This port is use for connecting memory SM card

4.CF/MD Connector This port is use for connecting memory CF or MD card

5.SD/MMC Connector This port is use for connecting memory SD or MMC card

6.MS Connector This port is use for connecting memory MS card

7.8.S/PDIF digital sound Connector The technology turns your computer into a heigh-end entertainment system with digital connectivity to powerful audio and speaker systems.

9.Microphone Connector This port connects a microphone

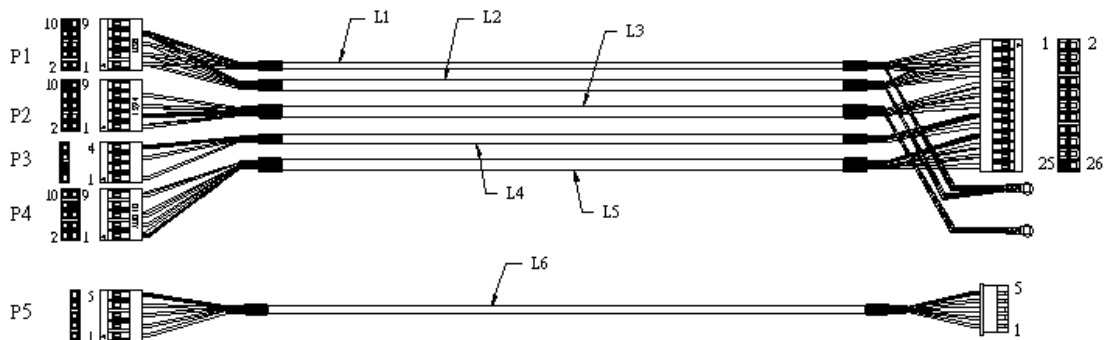
10.LINE-OUT Connector This port connects a headphone or a speaker

11.DC Power Connector This 4-pin Wafer is use for supply SATA Power +12V or +5V

12.SATA Connector This port use for connect Serial ATA Equipment

The cables choose Here you can choose the kinds cables that attached to I/O BOX

1.



PIN ASSIGNMENT	
COLOR P1	L1
RED 1	USB_VCC
WHITE 3	D-
GREEN 5	D+
BLACK 7	Ground
DRAIN 7	Terminal

PIN ASSIGNMENT	
COLOR P1	L2
RED 2	USB_VCC
WHITE 4	D-
GREEN 6	D+
BLACK 8	Ground
DRAIN 8	Terminal

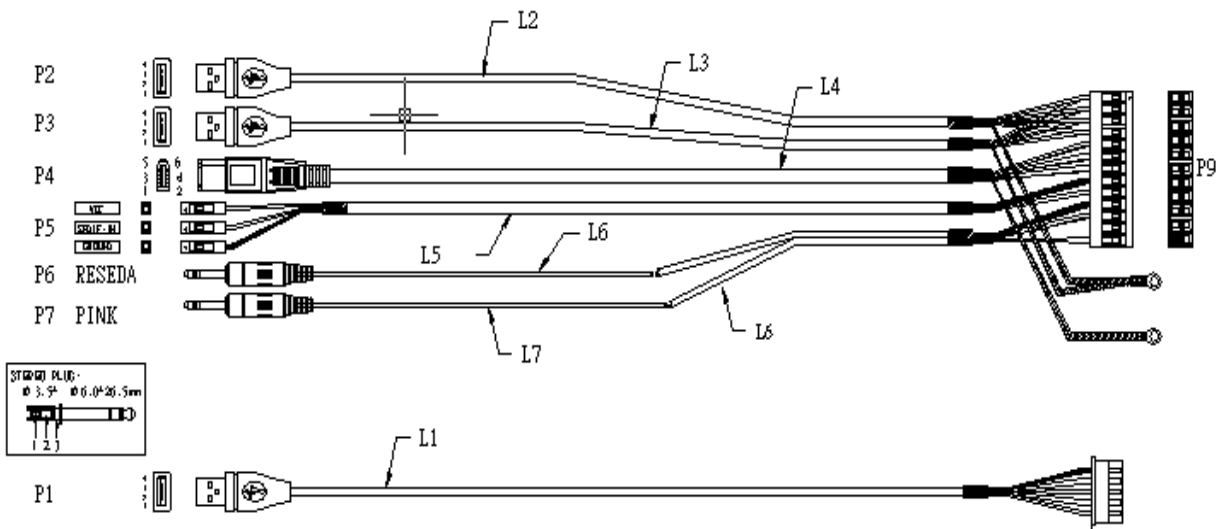
PIN ASSIGNMENT	
COLOR P2	L3
BLACK 4	Ground
BLUE 2	IPa+
ORANGE 1	IPa-
GREEN 6	IPb+
RED 5	IPb-
WHITE 7	+12V
DRAIN 3	Terminal

PIN ASSIGNMENT	
COLOR P3	L4
RED 1	VCC
WHITE 3	IN
DRAIN 4	Ground

PIN ASSIGNMENT	
COLOR P4	L5
DRAIN 1	Ground
GREEN 2	IN_C_IN
BLACK 4	IN_C_PWD
YELLOW 5	OGT_P
ORANGE 6	e_OUT
RED 9	OGT_L
BROWN 10	L_OUT

PIN ASSIGNMENT	
COLOR P5	L6
RED 1	USB_VCC
WHITE 2	D-
GREEN 3	D+
BLACK 4	Ground
DRAIN 5	Ground

2.



PIN ASSIGNMENT	
COLOR P1	L1
RED 1	usb_vcc
WHITE 2	D-
GREEN 3	D+
BLACK 4	Ground
DRAIN SHELL	G to und

PIN ASSIGNMENT	
COLOR P2	L2
RED 1	usb_vcc
WHITE 2	D-
GREEN 3	D+
BLACK 4	Ground
DRAIN SHELL	G to und

PIN ASSIGNMENT	
COLOR P3	L3
RED 1	usb_vcc
WHITE 2	D-
GREEN 3	D+
BLACK 4	Ground
DRAIN SHELL	G to und

PIN ASSIGNMENT		
COLOR P4	L4	P9
BLACK 2	Ground	
BLUE 6	IR+	
ORANGE 5	IR-	
GREEN 4	IRB+	
RED 3	IRB-	
WHITE 1	+12V	
DRAIN SHELL	G to und	

PIN ASSIGNMENT	
COLOR P5	L5
DRAIN	GROUND
WHITE	S/PDIF-IN
RED	VCC

PIN ASSIGNMENT	
COLOR P6	L6
DRAIN 3	G to und
WHITE 2	L_OUT
RED 1	R_OUT

PIN ASSIGNMENT	
COLOR P7	L7
DRAIN 3	Ground
WHITE 2	MIC_PWR
RED 1	MIC_IN

BIOS setup program

USB Configuration

The items in this menu allows you to change the USB-related features. Select an item then press <Enter> to display the configuration options.

Advanced		BIOS SETUP UTILITY
USB Configuration		Enables USB host controllers.
Module Version - 2.23.2-9.4		
USB Devices Enabled: None		
USB Function	[Enabled]	
Legacy USB Support	[Auto]	
USB 2.0 Controller	[Enabled]	
USB 2.0 Controller Mode	[HiSpeed]	



The Module Version and USB Devices Enabled items show the auto-detected values. If no USB device is detected, the item shows None.

USB Function [Enabled]

Allows you to enable or disable the USB function.
Configuration options: [Disabled] [Enabled]

Legacy USB Support [Auto]

Allows you to enable or disable support for USB devices on legacy operating systems (OS). Setting to Auto allows the system to detect the presence of USB devices at startup. If detected, the USB controller legacy mode is enabled. If no USB device is detected, the legacy USB support is disabled. Configuration options: [Disabled] [Enabled] [Auto]

USB 2.0 Controller [Enabled]

Allows you to enable or disable the USB 2.0 controller.
Configuration options: [Disabled] [Enabled]

USB 2.0 Controller Mode [HiSpeed]

Allows you to configure the USB 2.0 controller in HiSpeed (480 Mbps) or Full Speed (12 Mbps). Configuration options: [HiSpeed] [Full Speed]