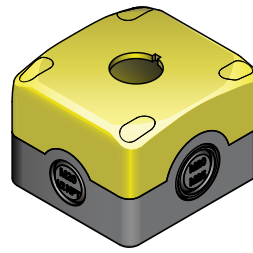


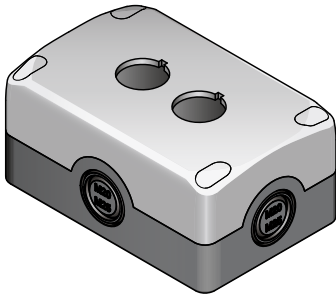
Selection diagram



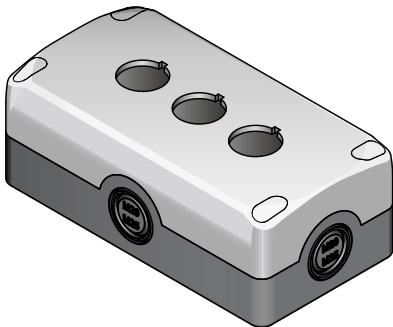
ES 31000  
grey cover  
1 hole, Ø 22 mm



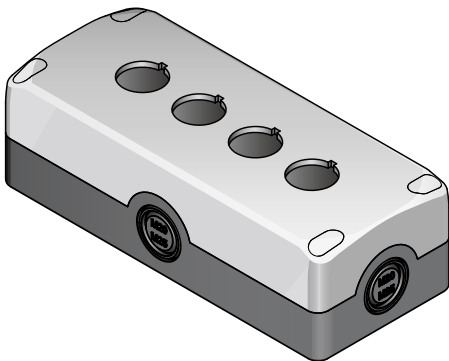
ES 31001  
yellow cover  
1 hole, Ø 22 mm



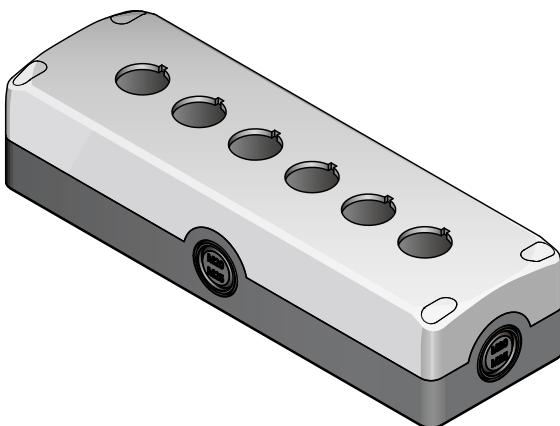
ES 32000  
grey cover  
2 holes, Ø 22 mm



ES 33000  
grey cover  
3 holes, Ø 22 mm



ES 34000  
grey cover  
4 holes, Ø 22 mm



ES 36000  
grey cover  
6 holes, Ø 22 mm

**Enclosure code structure**

**ES 31001**

**Housing material**

**3** Polycarbonate (standard)

**Configuration**

**000** black base, grey cover  
**001** black base, yellow cover

... ..

**Box holes and dimensions**

**1** 72x80h56 mm  
1 hole, Ø 22 mm

**2** 120x80h56 mm  
2 holes, Ø 22 mm

**3** 153x80h56 mm  
3 holes, Ø 22 mm

**4** 186x80h56 mm  
4 holes, Ø 22 mm

**6** 252x80h56 mm  
6 holes, Ø 22 mm

**Attention!** The feasibility of a code number does not mean the effective availability of a product. Please contact our sales office.



### Main features

- Protection degree IP67 and IP69K
- Stainless steel retained screws
- 4 lateral knock out conduit entries
- Supplied with screw caps

### Markings and quality marks:



### Technical data

#### Housing

Material:

Shock-proof, self-extinguishing polymer with double insulation, UV resistant, fibreglass-reinforced material, high-impact resistance.

Screw material:

Stainless steel

Protection degree:

IP67 according to IEC 60529

IP69K according to DIN 40050

Conduit entries:

1 hole housing:

- 2 upper and lower knock out conduit entries

M20 - 1/2 NPT

- 2 lateral knock out conduit entries M20 - 1/2 NPT - M25

- 2 base knock out conduit entries M16

2-3-4-6 holes housings:

- 4 lateral knock out conduit entries M20 - 1/2 NPT - M25

- 2 base knock out conduit entries M20

Devices assembling:

Suit for assembling with control and signalling Ø 22 mm devices.

Ø 22 mm hole according to EN 60947-5-1

Utilization requirements:

see page 3/74

### General data

Ambient temperature:

-40°C +80°C

Cover screws driving torque:

1 ... 1,4 Nm

### In conformity with standards:

IEC 60947-1, IEC 60947-5-1, IEC 60204-1, EN 60947-1, EN 60947-5-1, EN 60204-1, UL 508, CSA 22-2 N°14.

### In conformity with requirements requested by:

Low Voltage Directive 2006/95/EC, Machinery Directive 2006/42/EC and Electromagnetic Compatibility 2004/108/EC.

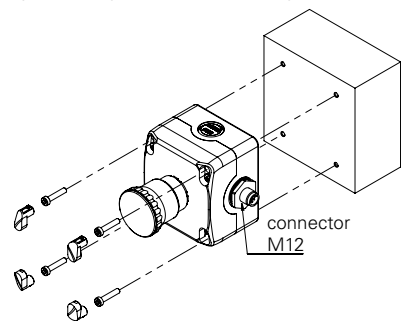
## General characteristics

### Protection degree IP67 and IP69K

Designed to be employed also in severe environment conditions, Pizzato Elettrica enclosures have protection degree IP67 and IP69K, suitable for use in machineries subjected to intense washing with high pressure and high temperature water jets.

### Fitting the EROUND boxes

The new EROUND line boxes by Pizzato Elettrica feature 4 additional holes in the cover, which make it possible to fit the boxes to a wall by inserting the screws through their external part, therefore without needing to open their cover to gain access to the holes.

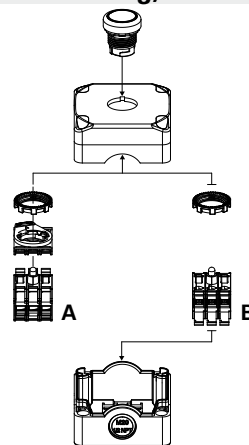


The wall-fitting screws and the box cover closing screws can be sealed by means of 4 caps (caps supplied with the box) which, besides improving the appearance of the box line, avoid any dirt being deposited inside the screw recesses and

make tampering more difficult.

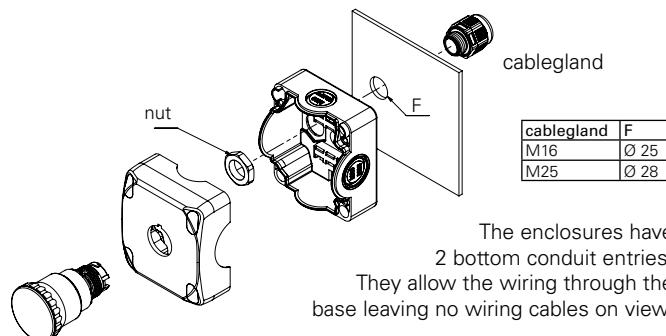
External fitting turns out to be particularly advantageous for prewired boxes, since the entire installation work becomes simpler; all that is needed is to fix the box and attach the connector which, thanks to the cable inlets available on the four sides of the box, can be positioned in the chosen direction.

### One housing, two solutions



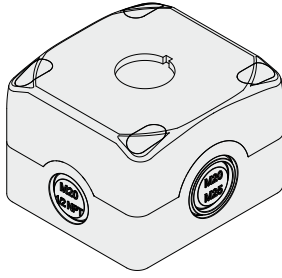
The same housing can have up to 3 contact/LED blocks with panel fixing (E2 CP, E2 LP) to be applied through the fixing adapter (A) or up to 3 contact/LED blocks with base fixing (E2 CF, E2 LF) to be fixed directly to the enclosure base (B).


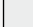
### Wiring through the lower surface



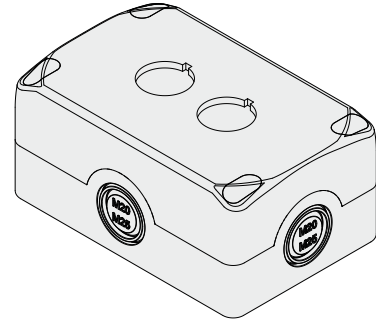
The enclosures have 2 bottom conduit entries. They allow the wiring through the base leaving no wiring cables on view.

**Enclosures selection table**



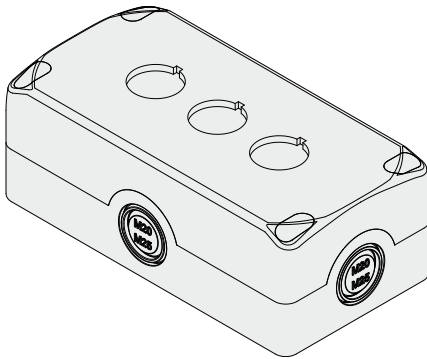
Cover colour	
 yellow RAL 1023	<b>ES 31001</b>
 grey RAL 7040	<b>ES 31000</b>


The standard colour of the base in above mentioned codes is **BLACK RAL 9005**.



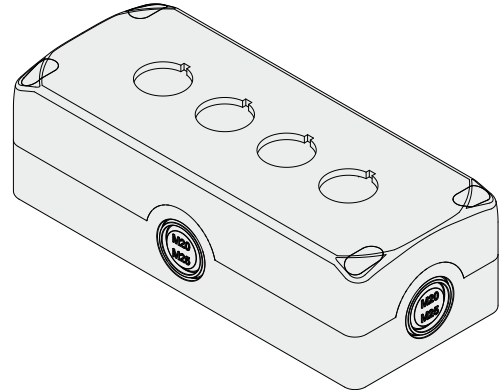
Cover colour	
 grey RAL 7040	<b>ES 32000</b>


The standard colour of the base in above mentioned codes is **BLACK RAL 9005**.



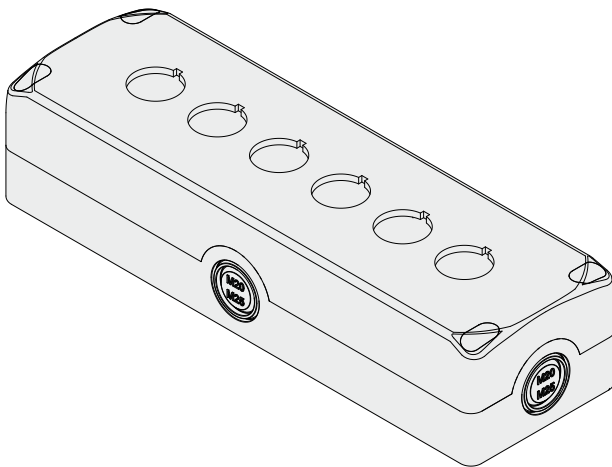
Cover colour	
 grey RAL 7040	<b>ES 33000</b>

The standard colour of the base in above mentioned codes is **BLACK RAL 9005**.



Cover colour	
 grey RAL 7040	<b>ES 34000</b>

The standard colour of the base in above mentioned codes is **BLACK RAL 9005**.

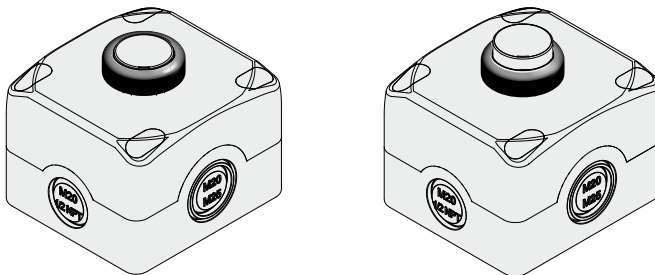


Cover colour	
 grey RAL 7040	<b>ES 36000</b>

The standard colour of the base in above mentioned codes is **BLACK RAL 9005**.

Items with code on the **green** background are available in stock

## Complete units with enclosures

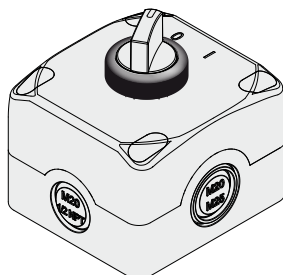


Box cover colour	Actuator colour and marking	Contacts			Flush pushbutton Black ring	Projecting pushbutton Black ring
		pos 2	pos 3	pos 1		
grey RAL 7040	green	-	1NO	-	<b>ES AC31001</b> ES 31000 + E2 1PU2R421L2 + E2 CF10G2V1	-
grey RAL 7040	red	-	1NC 	-	<b>ES AC31002</b> ES 31000 + E2 1PU2R321L1 + E2 CF01G2V1	<b>ES AC31017</b> ES 31000 + E2 1PU2S321L1 + E2 CF01G2V1
grey RAL 7040	green	-	1NO	-	<b>ES AC31015</b> ES 31000 + E2 1PU2R421GB1 + E2 CF10G2V1	-
grey RAL 7040	red	-	1NC 	-	<b>ES AC31016</b> ES 31000 + E2 1PU2R321GB0 + E2 CF01G2V1	<b>ES AC31018</b> ES 31000 + E2 1PU2S321GB0 + E2 CF01G2V1

The standard colour of the base in above mentioned codes is **BLACK RAL 9005**.

→ For contact blocks and pushbuttons characteristics see the relative chapters.

## Complete units with enclosures

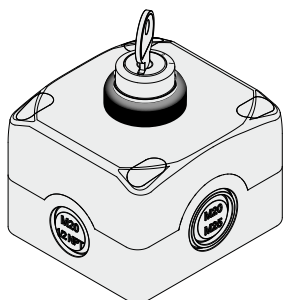


Box cover colour	Position	Contacts			Two positions black selector Black ring
		pos 2	pos 3	pos 1	
grey RAL 7040		-	1NO	-	<b>ES AC31019</b> ES 31002 + E2 1SE12AVA11AB + E2 CF10G2V1

The standard colour of the base in above mentioned codes is **BLACK RAL 9005**.

→ For contact blocks and LED holders characteristics see the relative chapters.

## Complete units with enclosures



Box cover colour	Position	Contacts			Two positions key black selector Black ring
		pos 2	pos 3	pos 1	
grey RAL 7040		-	1NO	-	<b>ES AC31020</b> ES 31000 + E2 1SC2AVA11AE + E2 CF10G2V1

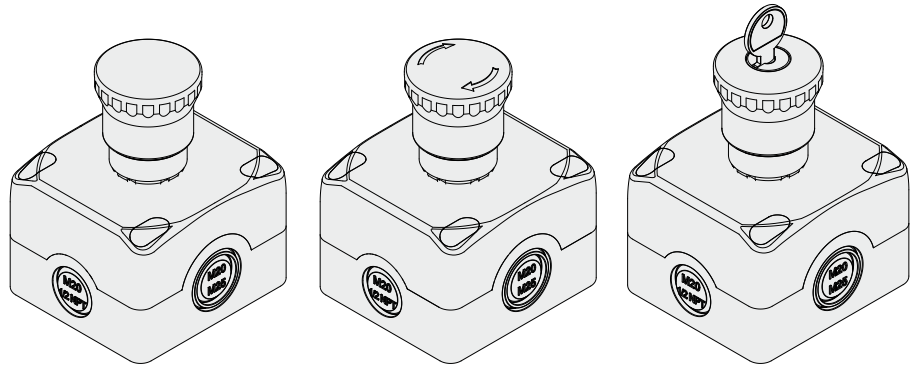
The standard colour of the base in above mentioned codes is **BLACK RAL 9005**.

→ For contact blocks and LED holders characteristics see the relative chapters.

### Legend

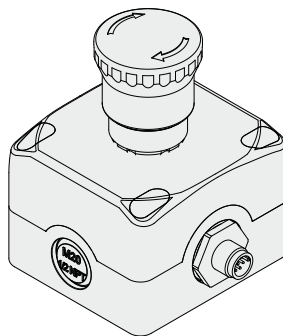
- Stay-put
- Spring-return
- Key extraction position

**Complete units with enclosures**



Box cover colour	Actuator colour and marking	Contacts			Push-pull emergency button	Turn to release emergency pushbutton	Key release emergency pushbutton
		pos 2	pos 3	pos 1			
yellow RAL 1023	red	-	1NC ⊕	-	<b>ES AC31004</b> ES 31001 + E2 1PEPZ4531 + E2 CF01G2V1	<b>ES AC31003</b> ES 31001 + E2 1PERZ4531 + E2 CF01G2V1	<b>ES AC31022</b> ES 31001 + E2 1PEBZ4531 + E2 CF01G2V1
yellow RAL 1023	red	1NC ⊕	-	1NC ⊕	-	<b>ES AC31005</b> ES 31001 + E2 1PERZ4531 + E2 CF01G2V1 + E2 CF01G2V1	<b>ES AC31023</b> ES 31001 + E2 1PEBZ4531 + E2 CF01G2V1 + E2 CF01G2V1
yellow RAL 1023	red	1NC ⊕	-	1NO	-	<b>ES AC31006</b> ES 31001 + E2 1PERZ4531 + E2 CF01G2V1 + E2 CF10G2V1	<b>ES AC31011</b> ES 31001 + E2 1PEBZ4531 + E2 CF01G2V1 + E2 CF10G2V1
yellow RAL 1023	red	1NC ⊕	1NC ⊕	1NO	-	<b>ES AC31021</b> ES 31001 + E2 1PERZ4531 + E2 CF01G2V1 + E2 CF01G2V1 + E2 CF10G2V1	<b>ES AC31024</b> ES 31001 + E2 1PEBZ4531 + E2 CF01G2V1 + E2 CF01G2V1 + E2 CF10G2V1

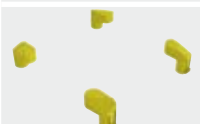

The standard colour of the base in above mentioned codes is **BLACK RAL 9005**.  
 → For contact blocks and emergency pushbuttons characteristics see the relative chapters.



Box cover colour	Actuator colour and marking	Contacts			Turn to release emergency pushbutton Plastic wired M12 connector
		pos 2	pos 3	pos 1	
yellow RAL 1023	red	-	1NC ⊕	-	<b>ES AC31025</b>
yellow RAL 1023	red	1NC ⊕	-	1NC ⊕	<b>ES AC31026</b>
yellow RAL 1023	red	1NC ⊕	-	1NO	<b>ES AC31027</b>
yellow RAL 1023	red	1NC ⊕	1NC ⊕	1NO	<b>ES AC31028</b>

The standard colour of the base in above mentioned codes is **BLACK RAL 9005**.  
 → For contact blocks and emergency pushbuttons characteristics see the relative chapters.

**Spare caps**

Article	Description
 <b>VETS25RA1</b>	4 spare caps for box covers ES series. Colour: yellow
 <b>VETS29RA1</b>	4 spare caps for box covers ES series. Colour: grey

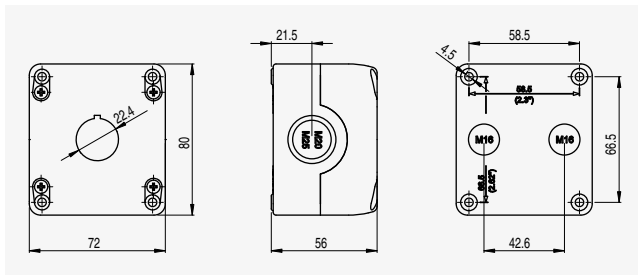
**Accessories**

→ More ACCESSORIES at page 3/71.

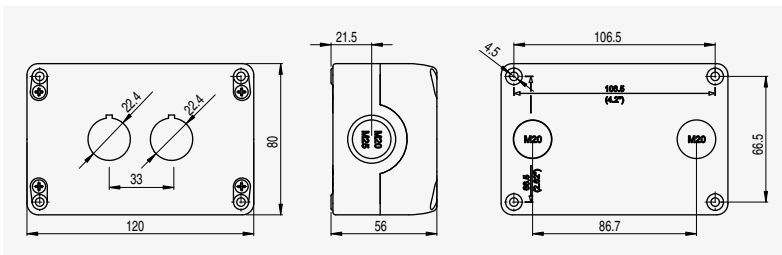
Items with code on the **green** background are available in stock

Dimensions

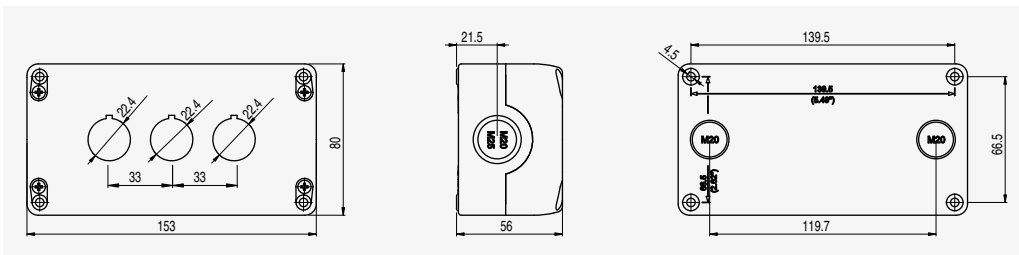
Enclosures (1 hole)



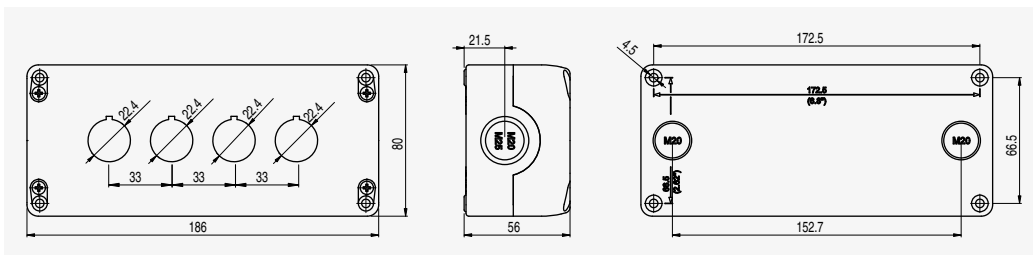
Enclosures (2 holes)



Enclosures (3 holes)



Enclosures (4 holes)



Enclosures (6 holes)

