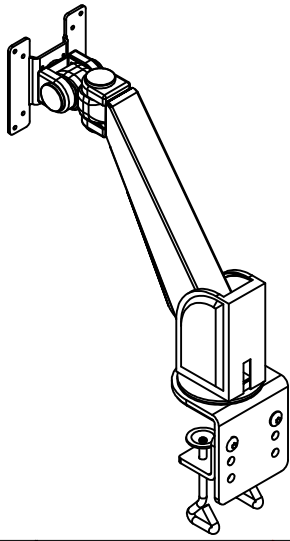


Max Load: 10Kgs



Part List:

D. 3/8" x 1/2" x 2pcs

E. M4x10x4pcs

F. 1pc

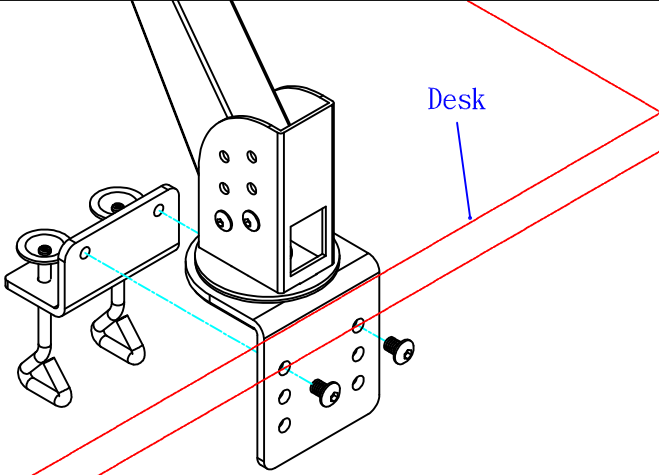
G. 1pc

C. 1pc

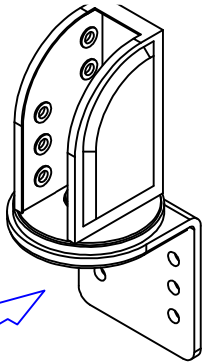
B. 1pc

A. 1pc

1.



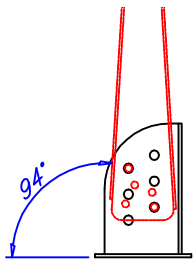
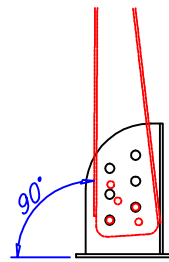
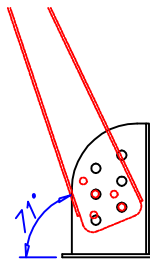
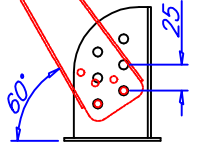
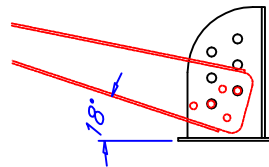
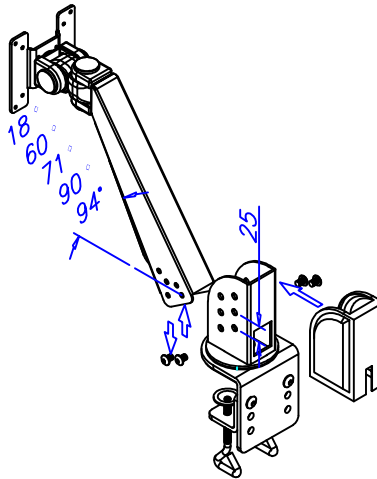
Option: WALL MOUNTING



<Fixing hardwares not included>

2.

Options:



3.

Adjust torque... if necessary

4.

