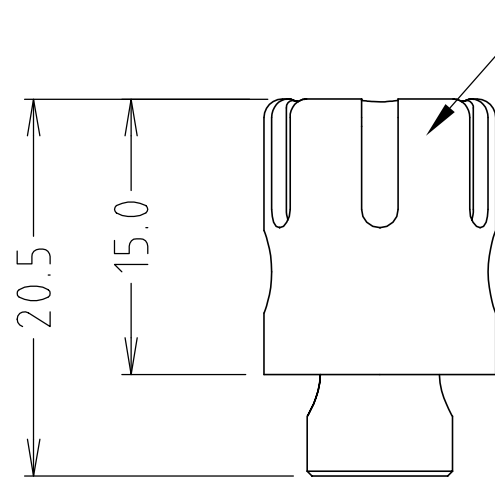
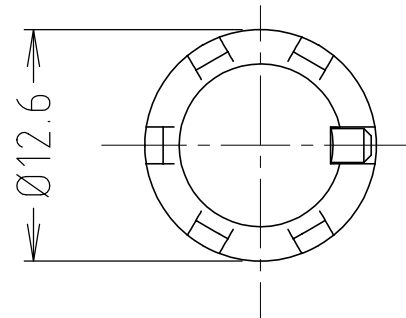
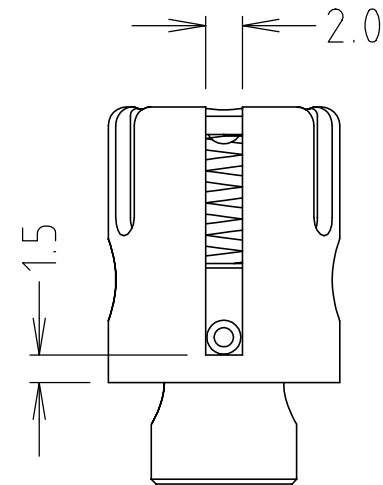
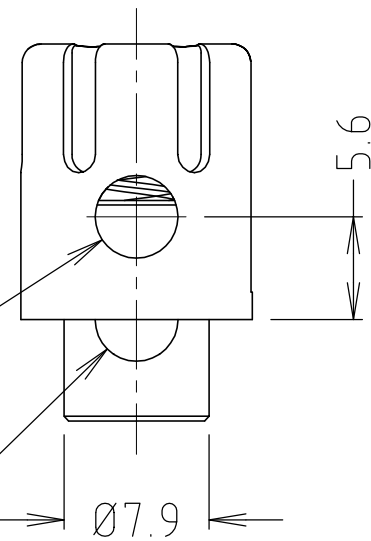


| ISS. | AMEND        | DATE     |
|------|--------------|----------|
| 1    | 1st DRAWN    | 25/3/97  |
| 2    | WAS FC681580 | 23/11/05 |



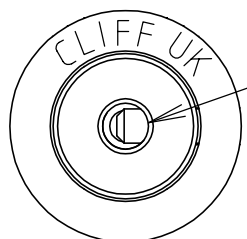
BLACK  
OR  
RED



| VARIANTS   |        |
|------------|--------|
| P/No.      | COLOUR |
| FCR 681580 | RED    |
| FCR 681581 | BLACK  |

Ø4.50<sup>+0.2</sup><sub>0</sub>

Ø7.9



M3 THREAD

REGISTERED DESIGN

|   |
|---|
| <b>RoHS</b><br>✓<br><b>COMPLIANT</b>  |
| <b>Tolerance</b><br>NO DEC. PLACE ±<br>1 DEC. PLACE ± 0.20<br>2 DEC. PLACE ±<br>DIA. HOLES ±<br>ANGLES ± 1/2°<br>UNLESS<br>OTHERWISE STATED |
| WHERE USED F.R.   |
| SCALE N.T.S.  |

DIMENSIONS IN MILLIMETERS UNLESS OTHERWISE STATED. WORK TO DIMENSIONS. DO NOT SCALE DRAWING. 3rd ANGLE PROJECTION. REMOVE BURRS. IF IN DOUBT ASK.

|   |          |                                    |       |                          |            |
|---|----------|------------------------------------|-------|--------------------------|------------|
| Cliff Electronic Components Limited<br>76 Holmethorpe Ave., Holmethorpe Ind. Estate,<br>Redhill, Surrey. RH1 2PF. England.<br>Tel: 01737-771375 Fax: 01737-766012 | MATERIAL | ABS / BRASS                        | TITLE | SPRING TERMINAL ASSEMBLY |            |
|   | FINISH   | SPARK FINISH 27VDI / NICKEL PLATED |       | DRWG. No.                | FCR 681580 |
|   | DRAWN    | C.A.M.J.                           | APPD. |                          | RWT        |