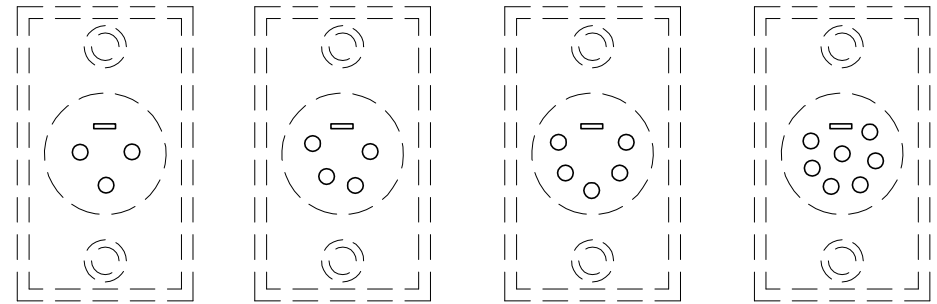
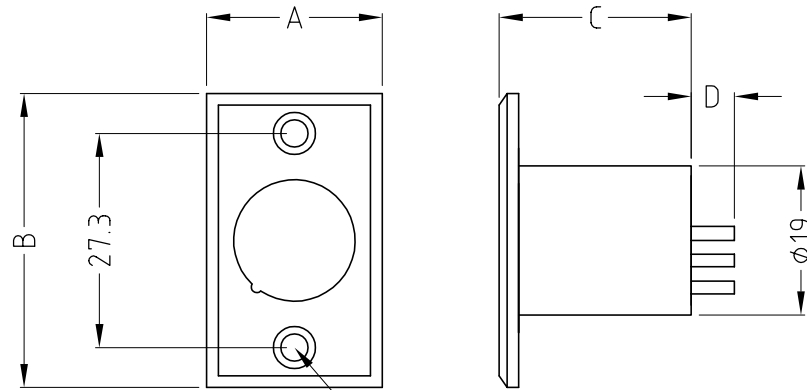
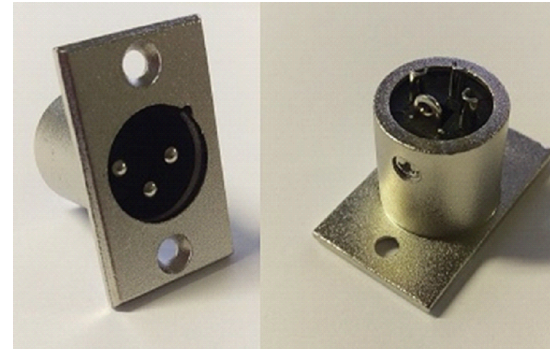


ISS.	AMEND	DATE
1	1st DRAWN	27/01/03
2	UPDATE + BORDER	16/02/17



3ACM/M
FC6105

4ACM/M
FC6125

5ACM/M
FC6175

7ACM/M
FC6185

TEMPERATURE RANGE -30° TO +89°C ϕ 3.5 C/SK

LIFETIME >5000 INSERTIONS

PART No.	TYPE	I(A) MAX @25°C	MAX CABLE	C (Pf)	Cr mΩ (MATED)	IR Ω @500V	DIELECTRIC STRENGTH	DIM A	DIM B	DIM C	DIM D
FC6105	3ACM/M	16A	2.5mm ²	<4	<5	>10 ⁶	1500	22.0	36.3	22.0	4.7
FC6125	4ACM/M	10A	1mm ²	<7	<5	>10 ⁶	1500	22.4	36.5	21.8	5.0
FC6175	5ACM/M	7.5A	1mm ²	<7	<5	>10 ⁶	1500	22.4	36.5	21.8	4.7
FC6185	7ACM/M	5A (125V)	1mm ²	<9	<5	>10 ⁶	1000	22.4	36.5	21.6	5.7

RoHS
COMPLIANT

TOLERANCE
 NO DEC. PLACE ± 0.50
 1 DEC. PLACE ± 0.20
 2 DEC. PLACE ± 0.10
 HOLE Ø ± 0.10
 ANGLES ± 1/2°
 UNLESS OTHERWISE STATED

DO NOT SCALE

Cliff Electronic Components Ltd.

76 Holmethorpe Avenue, Holmethorpe Industrial Estate,
 Redhill, Surrey, RH1 2PF, England, UK
 Tel: 01737-771375 Fax: 01737-766012 Website: www.cliffuk.co.uk

DIMENSIONS IN MILLIMETERS UNLESS OTHERWISE STATED. WORK TO DIMENSIONS. REMOVE ALL BURRS. IF IN DOUBT ASK.

3rd ANGLE PROJECTION:

MATERIAL: COMPOSITE/ CONTACTS SILVER PLATED 2µ MIN

FINISH: CLEAN

TITLE: XLR SOCKET (MALE) X ACM/M

THE CONTENTS OF THIS DOCUMENT MUST NOT BE COPIED OR DISCLOSED TO A 3rd PARTY WITHOUT WRITTEN PERMISSION OF CLIFF UK. © 2003

DRAWN: M.S.T.

APPROVED: R.W.T.

DRWG. No. **FC6105**

FORM: A4DRWGH