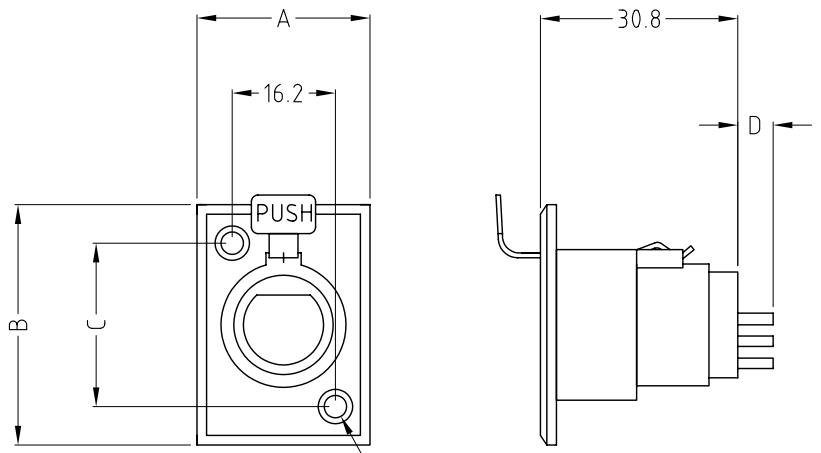
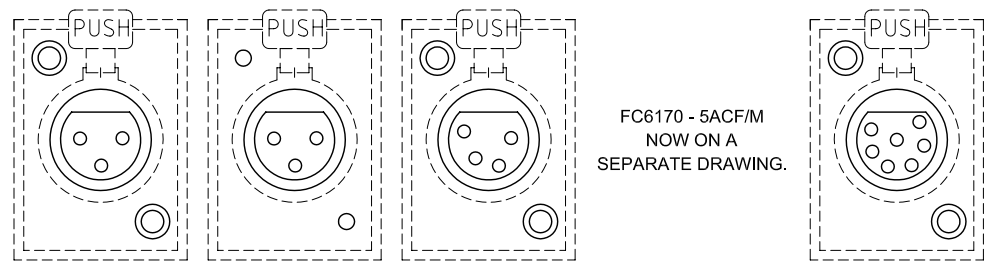


ISS.	AMEND	DATE
1	1st DRAWN	27/01/03
2	FC6170 5ACF/M REMOVED	09/10/09
3	FC6100N ADDED	24/09/10



SEE TABLE FOR FIXING HOLE TYPE



FC6170 - 5ACF/M  
NOW ON A  
SEPARATE DRAWING.

3ACF/M FC6100      3ACF/M FC6100N      4ACF/M FC6120      7ACF/M FC6187

TEMPERATURE RANGE -30° TO +89°C  
LIFETIME >5000 INSERTIONS

REFERENCE DIMENSIONS. SEE DATA SHEET CLIFF 02/02. (DIMS MAY VARY)  
NOTE: 5ACF/M IS NOT PER DATA SHEET SEE SEPARATE DRAWING FC6170

SPECIFICATION											
MODEL	I(A) MAX @25°C	MAX CABLE	C (Pf)	Cr mΩ (MATED)	IR Ω @ 500V	DIELECTRIC STRENGTH	DIM A	DIM B	DIM C	DIM D	FIXING HOLES
FC6100	16	2.5	<4	<5	>10 <sup>6</sup>	1500	27.2	37.3	25.5	5.5	Ø3.50 C/SK
FC6100N	16	2.5	<4	<5	>10 <sup>6</sup>	1500	27.2	37.3	25.5	5.5	Ø2.50
FC6120	10	1.0	<7	<5	>10 <sup>6</sup>	1500	26.2	35.7	26.0	5.5	Ø3.50 C/SK
FC6170	SEE SEPARATE DRAWING										
FC6187	5 (125V)	1	<9	<5	>10 <sup>6</sup>	1000	27.7	37.5	26.0	6.3	Ø3.50 C/SK

**RoHS**  
✓ **COMPLIANT**

**TOLERANCE**  
NO DEC. PLACE ±0.50  
1 DEC. PLACE ±0.20  
2 DEC. PLACE ±0.10  
HOLE Ø ±0.10  
ANGLES ±1/2°  
UNLESS OTHERWISE STATED