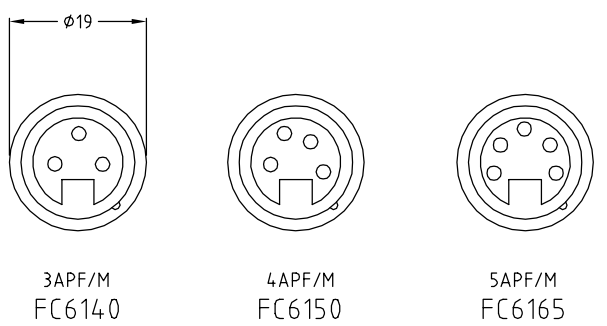
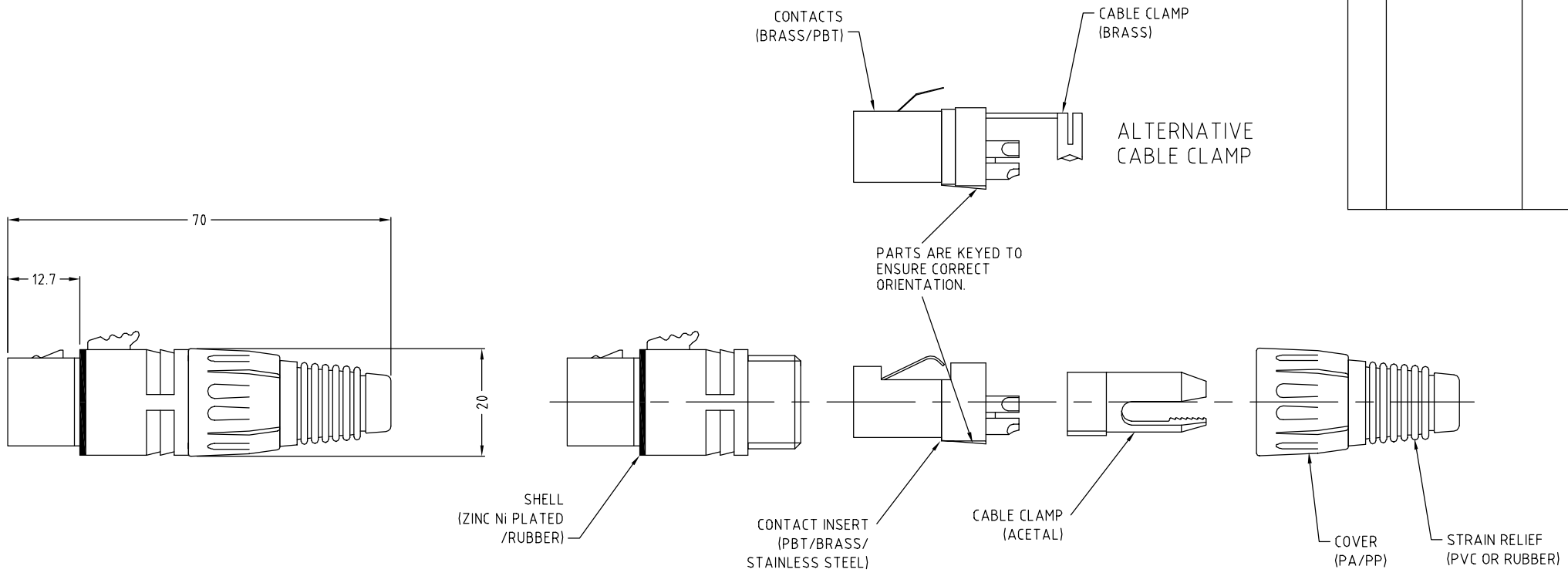


ISS.	AMEND	DATE
1	1st DRAWN	09/07/2003
2	SPEC CHANGES	04/03/2016



SPECIFICATION						
MODEL	MAX CURRENT @25°C (A)	MAX CABLE (mm ²)	C (Pf)	CONTACT RESISTANCE (mΩ)	INSULATION RESISTANCE (MΩ)	WITHSTAND VOLTAGE (V)
FC6140	16	2.5	<4	<5	>5000	1400
FC6150	10	1.0	<4	<7	>5000	1400
FC6165	7.5	1.0	<4	<7	>5000	1400

RoHS COMPLIANT

TOLERANCE

NO DEC. PLACE ±
 1 DEC. PLACE ±
 2 DEC. PLACE ±
 HOLE Ø ±
 ANGLES ±
 UNLESS OTHERWISE STATED

DO NOT SCALE

Cliff Electronic Components Ltd.
 76 Holmethorpe Avenue, Holmethorpe Industrial Estate,
 Redhill, Surrey, RH1 2PF, England, UK
 Tel: 01737-771375 Fax: 01737-766012 Website: www.cliffuk.co.uk

DIMENSIONS IN MILLIMETERS UNLESS OTHERWISE STATED. WORK TO DIMENSIONS. REMOVE ALL BURRS. IF IN DOUBT ASK.		3rd ANGLE PROJECTION:
MATERIAL: COMPOSITE / CONTACTS SILVER PLATED	TITLE: XLR PLUG (FEMALE) xAPF/M	
FINISH: CLEAN	DRAWG. No. FC 6140	
DRAWN: CAMJ	APPROVED: RWT	FORM: A4DRWGH

THE CONTENTS OF THIS DOCUMENT MUST NOT BE COPIED OR DISCLOSED TO A 3rd PARTY WITHOUT WRITTEN PERMISSION OF CLIFF UK. © 2003