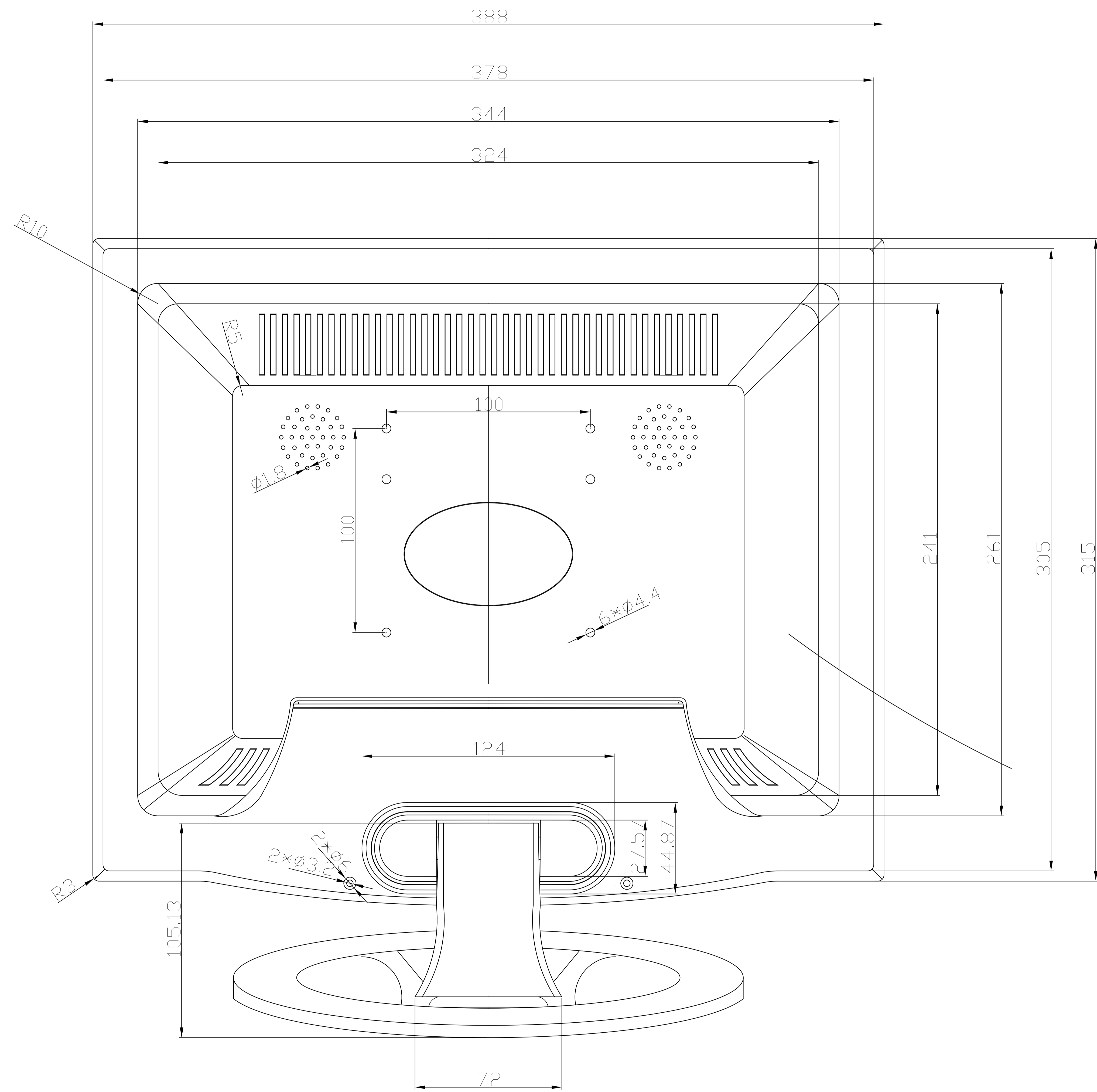
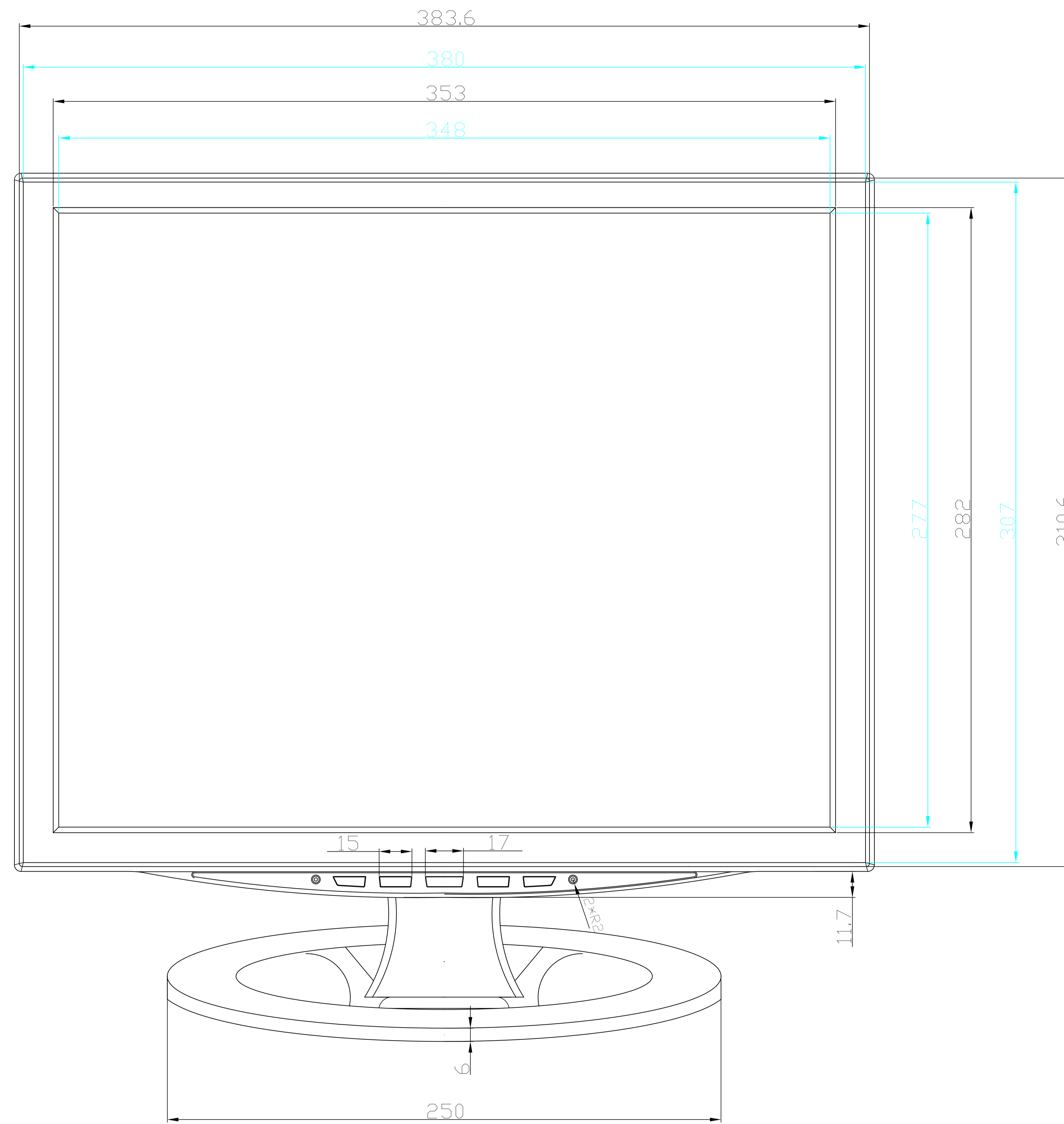


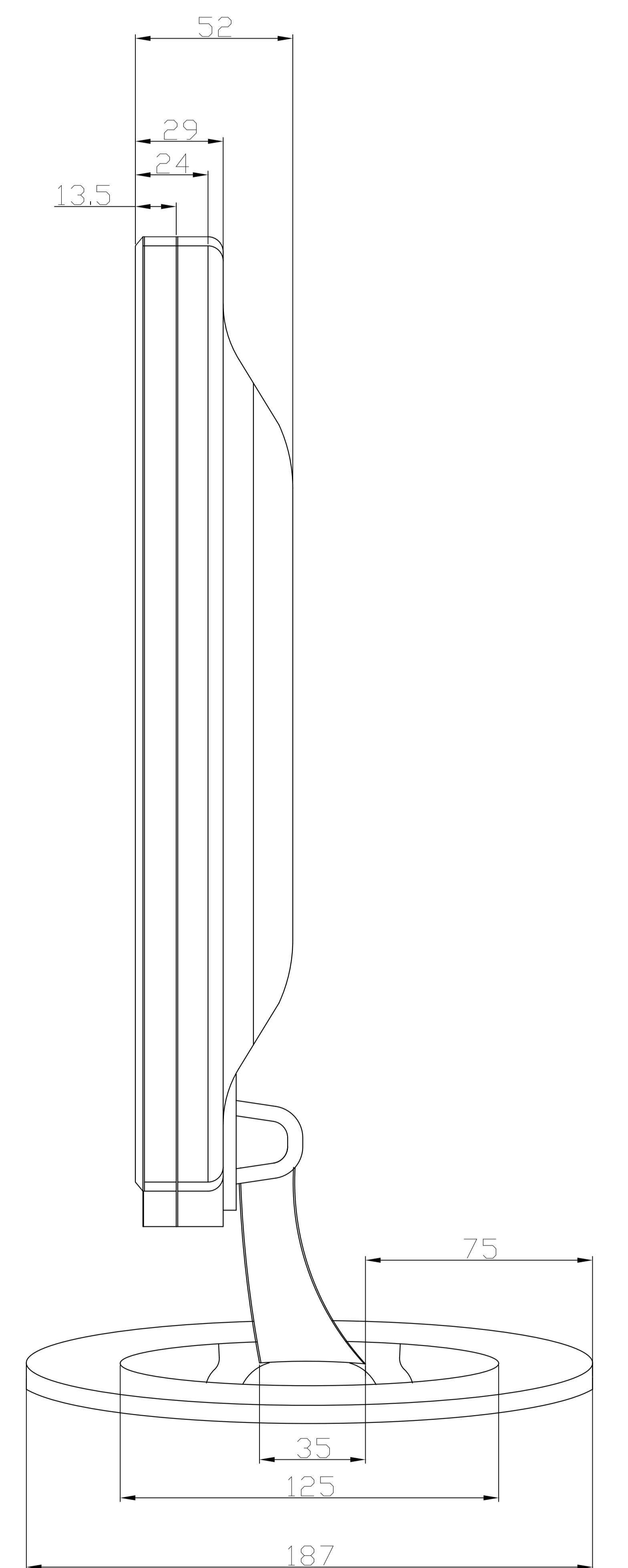
B/N: 419700 Ratio: 1:1 Unit: millimeter Tolerances: $\pm 0.5\text{mm}$



back view



front view



right view