

SURFACE MOUNT ALUMINUM ELECTROLYTIC CAPACITORS

CK Chip type, Low Impedance, High CV Series

IZI Low Impedance **S** Solvent Proof

- Chip type, low impedance temperature range up to 105°C
- Designed for surface mounting on high density PC board
- Applicable to automatic insertion machine using carrier tape
- Complied to the RoHS directive

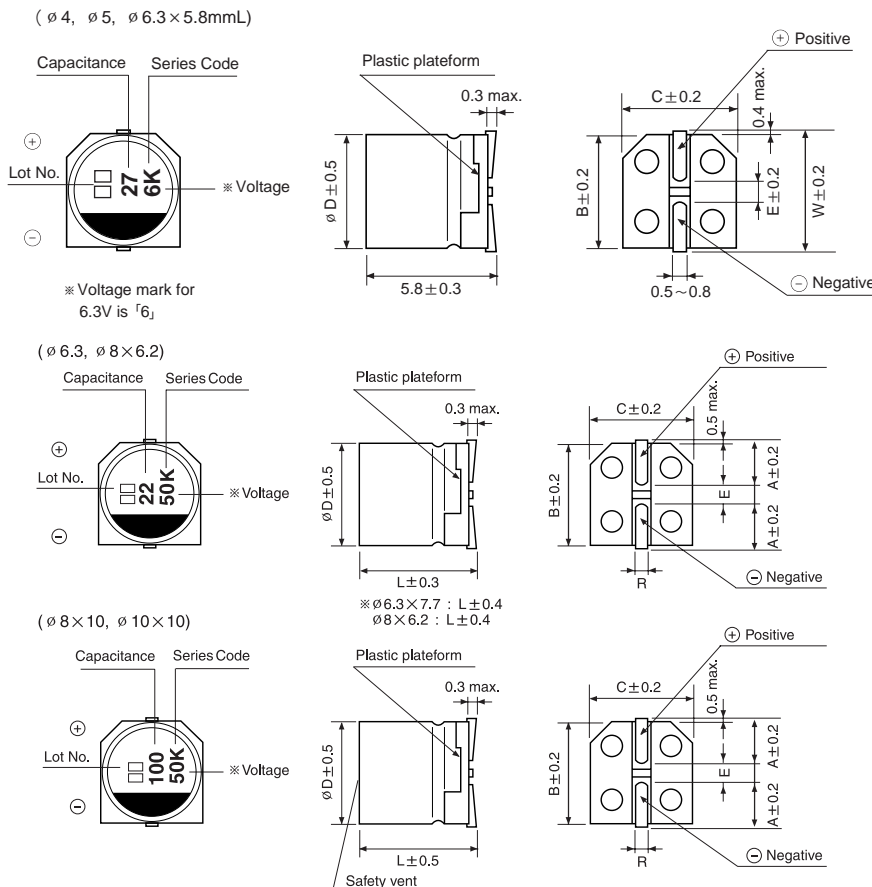
ZC → **CK**
Low Imp.



Item	Characteristics
Operating temperature range	-55 ~ +105°C
Leakage current max.	I = 0.01CV or 3μA whichever is greater (after 2 minutes)
Capacitance tolerance	±20% at 120Hz, 20°C
Dissipation factor max. (at 120Hz, 20°C)	WV 6.3 10 16 25 35 50
	tanδ 0.24 0.19 0.16 0.14 0.12 0.12
Low temperature characteristics (Impedance ratio at 120Hz)	WV 6.3 10 16 25 35 50
	Z-25°C/Z+20°C 2 2 2 2 2 2
	Z-55°C/Z+20°C 3 3 3 3 3 3
Load life (after application of the rated voltage for 2000 hours at 105°C)	Leakage current Less than specified value
	Capacitance change Within ±25% of initial value
	tanδ Less than 200% of specified value
Shelf life (at 105°C)	After 1000 hours no load test, leakage current, capacitance and tanδ are same as load life value.
Resistance to soldering heat	The following specifications shall be satisfied when the capacitors are restored to 20°C after exposing them at 250°C for 30 seconds.
	Leakage current Less than specified value
	Capacitance change Within ±10% of initial value
	tanδ Less than specified value

DRAWING

Unit : mm



∅ D	W	A	B	C	E	R
4 × 5.8	4.8		4.3	4.3	1.0	0.5~0.8
5 × 5.8	6.0		5.3	5.3	1.4	0.5~0.8
6.3 × 5.8	7.1		6.6	6.6	2.2	0.5~0.8
6.3 × 7.7		2.4	6.6	6.6	2.2	0.5~0.8
8 × 6.2		3.4	8.3	8.3	2.3	0.5~0.8
8 × 10		2.9	8.3	8.3	3.1	0.8~1.1
10 × 10		3.2	10.3	10.3	4.5	0.8~1.1

CK series

● DIMENSIONS & MAXIMUM PERMISSIBLE RIPPLE CURRENT

μF \diagdown WV	6.3			10			16			25			35			50		
1.0															4 × 5.8	5.0	30	
1.5															4 × 5.8	5.0	30	
2.2															4 × 5.8	5.0	30	
3.3															4 × 5.8	5.0	30	
4.7										4 × 5.8	1.8	50	4 × 5.8	1.8	80	5 × 5.8	1.52	85
6.8										4 × 5.8	1.8	60	5 × 5.8	0.76	150	5 × 5.8	1.52	85
10				4 × 5.8	1.8	80	4 × 5.8	1.8	80	4 × 5.8	1.8	80	5 × 5.8	0.76	150	6.3 × 5.8	0.88	165
15				4 × 5.8	1.8	80	4 × 5.8	1.8	80	5 × 5.8	0.76	115	5 × 5.8	0.76	150	6.3 × 5.8	0.88	165
22	4 × 5.8	1.8	80	4 × 5.8	1.8	80	5 × 5.8	0.76	150	5 × 5.8	0.76	140	5 × 5.8	0.76	150	6.3 × 5.8	0.88	165
33	5 × 5.8	0.76	150	5 × 5.8	0.76	150	6.3 × 5.8	0.44	230	6.3 × 5.8	0.44	230	6.3 × 5.8	0.44	230	6.3 × 7.7	0.34	280
																8 × 6.2	0.26	300
47	5 × 5.8	0.76	150	6.3 × 5.8	0.44	230	6.3 × 5.8	0.44	230	6.3 × 5.8	0.44	230	6.3 × 5.8	0.44	230	6.3 × 7.7	0.34	280
																8 × 6.2	0.26	300
68	6.3 × 5.8	0.44	230	6.3 × 5.8	0.44	230	6.3 × 5.8	0.44	230	6.3 × 5.8	0.44	230	6.3 × 5.8	0.44	230	6.3 × 7.7	0.34	280
																8 × 6.2	0.26	300
100	6.3 × 5.8	0.44	230	6.3 × 5.8	0.44	230	6.3 × 5.8	0.44	230	6.3 × 7.7	0.34	280	8 × 10	0.17	450	10 × 10	0.09	670
150	6.3 × 5.8	0.44	230	6.3 × 5.8	0.44	230	6.3 × 7.7	0.34	280	8 × 10	0.17	450	8 × 10	0.17	450			
							8 × 6.2	0.26	300									
220	6.3 × 5.8	0.44	230	6.3 × 7.7	0.34	280	6.3 × 7.7	0.34	280	8 × 10	0.17	450	10 × 10	0.09	670			
				8 × 6.2	0.26	300	8 × 6.2	0.26	300									
330	6.3 × 7.7	0.34	280	8 × 10	0.17	450	8 × 10	0.17	450	10 × 10	0.09	670						
	8 × 6.2	0.26	300															
470	8 × 10	0.17	450	8 × 10	0.17	450	10 × 10	0.09	670	← Ripple current (mA rms) at 105°C, 100kHz								
680	8 × 10	0.17	450	10 × 10	0.09	670	↑ Impedance (Ω) at 20°C, 100kHz											
1000	10 × 10	0.09	670	↑ Case size φ D × L (mm)														
1500	10 × 10	0.09	670															

CHIP TYPES