



Standard series

Photoflash

Solder lug pins

RoHS compliant
REACH compliant

Features

- All contacts welded
- Soldering lug terminals
- High capacitance
- Long useful life

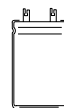
Applications

- HiFi
- Consumer
- Industrial
- Telecommunications

Different case sizes, voltages and capacitance combinations are available on request. Also in small lots.

General specifications

| Items | | Characteristics |
|---|----------------------------------|--|
| Rated capacitance range C_R | | 56 ... 330.000 μF |
| Capacitance tolerance | | $\pm 20\%$ |
| Rated voltage range U_R | | 16 ... 500 V |
| Surge voltage U_S | | $U_R \leq 315 V: U_S = 1,15 U_R$ $U_R > 315 V: U_S = 1,10 U_R$ |
| Max. reverse voltage | | 2 V |
| Category temperature range | | - 40°C ... + 85°C |
| Leakage current I_L after 5 min @ U_R | | $\leq 0,008 * C_R [\mu F] * U_R [V] + 6 \mu A [\mu A]$ |
| Useful life | 5000 h @ 85 °C ; U_R ; I_R - | Requirements $\Delta C/C \leq 30\%$ of initial value $ESR \leq 300\%$ of specified limit $I_L \leq$ specified limit |
| Endurance test | 2000 h @ 85 °C , U_R | Requirements $\Delta C/C \leq 20\%$ of initial value $ESR \leq 130\%$ of specified limit $I_L \leq$ specified limit |
| Climatic category IEC 60068 | | 40/85/56 |
| Voltage proof of the external insulation | | ≥ 2500 V AC |
| Sectional specification | | IEC 60384-4 |



Drawings for series *LFHA* and *LFHB*

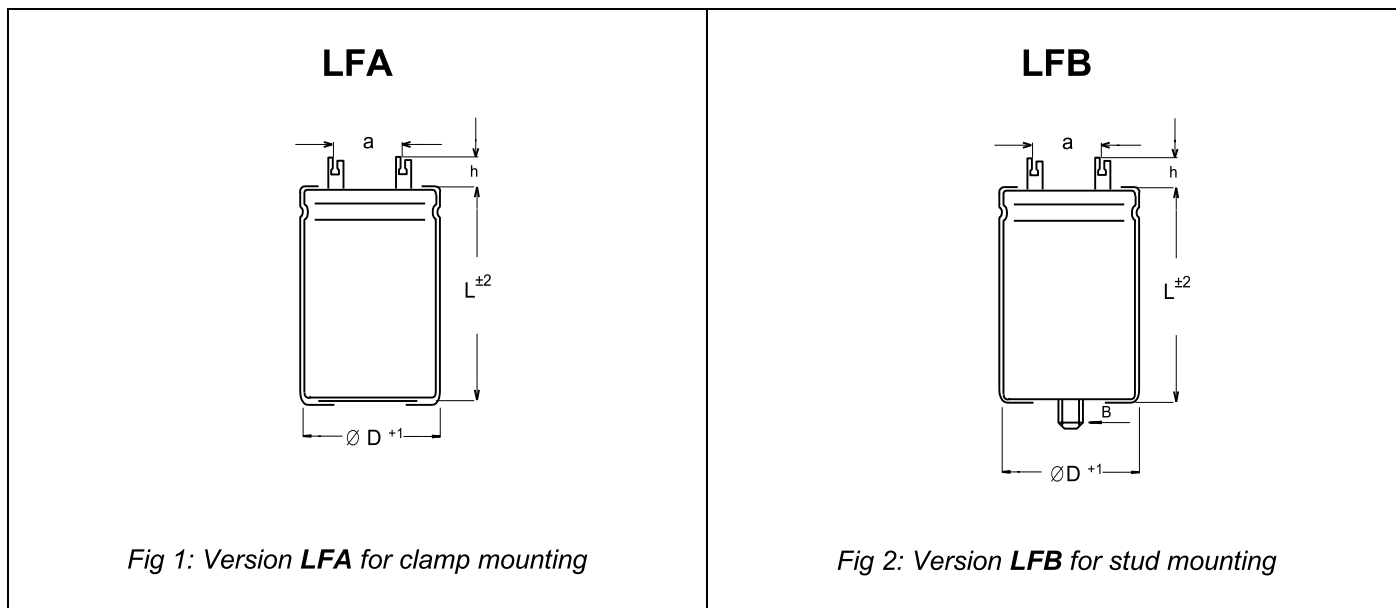


Fig 1: Version **LFA** for clamp mounting

Fig 2: Version **LFB** for stud mounting

| D | h | a | B |
|------|------|------|-----------|
| [mm] | [mm] | [mm] | |
| 25 | 10 | 10 | M 8 x 12 |
| 30 | 10 | 10 | M 8 x 12 |
| 35 | 10 | 10 | M 8 x 12 |
| 40 | 10 | 20 | M 8 x 12 |
| 50 | 10 | 20 | M 12 x 16 |

| | Thread | Max. tightening torque |
|----------|--------|------------------------|
| Mounting | M 8 | 4 Nm |
| Mounting | M 12 | 10 Nm |



Electrical data and ordering code for series LF

| Rated voltage U_R [V] | Rated cap. C_R [μF] | Case size D x L [mm] | Typ. ESR 100 Hz, 20°C [mΩ] | Ripple current IR~ 100 Hz, 85°C [A] | Order code |
|-------------------------------|-----------------------------|----------------------------|----------------------------------|--|---|
| | | | | | Plain base: LFA... Stud mounting: LFB... |
| 16 | 22000 | 25x30 | 22 | 3,6 | 22301625030 |
| | 27000 | 25x35 | 18 | 4,2 | 27301625035 |
| | 39000 | 25x40 | 12 | 5,3 | 39301625040 |
| | 33000 | 30x30 | 14 | 4,8 | 33301630030 |
| | 39000 | 25x45 | 12 | 5,6 | 39301625045 |
| | 47000 | 25x50 | 10 | 6,4 | 47301625050 |
| | 39000 | 30x35 | 12 | 5,5 | 39301630035 |
| | 47000 | 35x30 | 10 | 6,4 | 47301635030 |
| | 56000 | 30x40 | 9 | 7,0 | 56301630040 |
| | 56000 | 35x35 | 9 | 7,4 | 56301635035 |
| | 56000 | 30x45 | 9 | 7,3 | 56301630045 |
| | 68000 | 30x50 | 7 | 8,4 | 68301630050 |
| | 68000 | 35x40 | 7 | 8,5 | 68301635040 |
| | 82000 | 35x45 | 6 | 9,7 | 82301635045 |
| | 100000 | 30x70 | 5 | 11,6 | 10401630070 |
| | 82000 | 35x50 | 6 | 10,1 | 82301635050 |
| | 120000 | 40x50 | 4 | 12,9 | 12401640050 |
| | 150000 | 35x80 | 3 | 16,4 | 15401635080 |
| | 120000 | 40x50 | 4 | 12,9 | 12401640050 |
| | 150000 | 40x60 | 3 | 15,4 | 15401640060 |
| 180000 | 35x10 | 3 | 19,7 | 18401635100 | |
| 220000 | 40x80 | 2 | 20,8 | 22401640080 | |
| 180000 | 45x60 | 3 | 16,9 | 18401645060 | |
| 270000 | 45x80 | 2 | 23,1 | 27401645080 | |
| 270000 | 40x10 | 2 | 25,3 | 27401640100 | |
| 330000 | 45x10 | 1 | 27,9 | 33401645100 | |
| 25 | 10000 | 25x30 | 45 | 2,5 | 10302525030 |
| | 12000 | 25x35 | 37 | 2,9 | 12302525035 |
| | 15000 | 25x40 | 30 | 3,4 | 15302525040 |
| | 15000 | 30x30 | 30 | 3,4 | 15302530030 |
| | 18000 | 25x45 | 25 | 3,9 | 18302525045 |
| | 18000 | 30x35 | 25 | 3,9 | 18302530035 |
| | 18000 | 25x50 | 25 | 4,1 | 18302525050 |
| | 22000 | 30x40 | 20 | 4,5 | 22302530040 |
| | 18000 | 35x30 | 25 | 4,1 | 18302535030 |
| | 27000 | 30x45 | 17 | 5,1 | 27302530045 |
| | 27000 | 30x50 | 17 | 5,4 | 27302530050 |
| | 22000 | 35x35 | 21 | 4,7 | 22302535035 |
| | 27000 | 35x40 | 17 | 5,4 | 27302535040 |
| | 33000 | 35x45 | 14 | 6,3 | 33302535045 |
| | 39000 | 30x70 | 12 | 7,4 | 39302530070 |
| | 39000 | 35x50 | 12 | 7,1 | 39302535050 |
| | 47000 | 35x60 | 10 | 8,3 | 47302535060 |
| | 56000 | 40x50 | 8 | 8,9 | 56302540050 |
| | 56000 | 35x80 | 8 | 10,2 | 56302535080 |
| | 68000 | 40x60 | 7 | 10,5 | 68302540060 |

| Rated voltage U_R [V] | Rated cap. C_R [μF] | Case size D x L [mm] | Typ. ESR 100 Hz, 20°C [mΩ] | Ripple current IR~ 100 Hz, 85°C [A] | Order code |
|-------------------------------|-----------------------------|----------------------------|----------------------------------|--|---|
| | | | | | Plain base: LFA... Stud mounting: LFB... |
| 25 | 82000 | 35x10 | 6 | 13,5 | 82302535100 |
| | 82000 | 45x60 | 6 | 11,6 | 82302545060 |
| | 120000 | 40x80 | 4 | 15,6 | 12402540080 |
| | 120000 | 40x10 | 4 | 17,1 | 12402540100 |
| | 120000 | 45x80 | 4 | 15,6 | 12402545080 |
| | 150000 | 45x10 | 3 | 19,1 | 15402545100 |
| | 40 | 5600 | 25x30 | 68 | 2,0 |
| 6800 | | 25x35 | 56 | 2,4 | 68204025035 |
| 8200 | | 25x40 | 47 | 2,7 | 82204025040 |
| 8200 | | 30x30 | 47 | 2,7 | 82204030030 |
| 10000 | | 25x45 | 38 | 3,2 | 10304025045 |
| 10000 | | 30x35 | 38 | 3,1 | 10304030035 |
| 10000 | | 25x50 | 38 | 3,3 | 10304025050 |
| 12000 | | 30x40 | 32 | 3,6 | 12304030040 |
| 10000 | | 35x30 | 38 | 3,3 | 10304035030 |
| 15000 | | 30x45 | 25 | 4,2 | 15304030045 |
| 12000 | | 35x35 | 32 | 3,8 | 12304035035 |
| 15000 | | 30x50 | 25 | 4,4 | 15304030050 |
| 15000 | | 35x40 | 25 | 4,5 | 15304035040 |
| 18000 | | 35x45 | 21 | 5,1 | 18304035045 |
| 22000 | | 35x50 | 17 | 5,8 | 22304035050 |
| 22000 | | 30x70 | 17 | 6,1 | 22304030070 |
| 27000 | | 35x60 | 14 | 6,9 | 27304035060 |
| 27000 | | 40x50 | 14 | 6,8 | 27304040050 |
| 33000 | | 35x80 | 12 | 8,6 | 33304035080 |
| 33000 | | 40x60 | 12 | 8,1 | 33304040060 |
| 47000 | 35x10 | 8 | 11,3 | 47304035100 | |
| 47000 | 40x80 | 8 | 10,8 | 47304040080 | |
| 39000 | 45x60 | 10 | 8,8 | 39304045060 | |
| 56000 | 40x10 | 7 | 12,9 | 56304040100 | |
| 56000 | 45x80 | 7 | 11,7 | 56304045080 | |
| 82000 | 45x10 | 5 | 15,5 | 82304045100 | |
| 63 | 2700 | 25x30 | 106 | 1,6 | 27206325030 |
| | 3300 | 25x35 | 87 | 1,9 | 33206325035 |
| | 3900 | 25x40 | 73 | 2,2 | 39206325040 |
| | 3900 | 30x30 | 73 | 2,1 | 39206330030 |
| | 4700 | 25x45 | 61 | 2,5 | 47206325045 |
| | 4700 | 30x35 | 61 | 2,5 | 47206330035 |
| | 5600 | 25x50 | 51 | 0,0 | 56206325050 |
| | 5600 | 30x40 | 51 | 2,8 | 56206330040 |
| | 5600 | 35x30 | 51 | 2,9 | 56206335030 |
| | 6800 | 30x45 | 42 | 3,3 | 68206330045 |
| | 6800 | 35x35 | 42 | 3,3 | 68206335035 |
| | 8200 | 30x50 | 35 | 3,7 | 82206330050 |
| | 8200 | 35x45 | 35 | 4,0 | 82206335045 |
| | 12000 | 30x70 | 24 | 5,2 | 12306330070 |



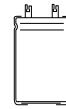
| Rated voltage U_R [V] | Rated cap. C_R [µF] | Case size D x L [mm] | Typ. ESR 100 Hz, 20°C [mΩ] | Ripple current IR~ 100 Hz, 85°C [A] | Order code |
|-----------------------------------|---------------------------------|--------------------------------|--------------------------------------|--|--------------------------|
| | | | | | Plain base: LFA... |
| | | | | | Stud mounting: LFB... |
| 63 | 12000 | 35x60 | 24 | 5,3 | 12306335060 |
| | 15000 | 40x50 | 19 | 5,9 | 15306340050 |
| | 18000 | 35x80 | 16 | 7,3 | 18306335080 |
| | 18000 | 40x60 | 16 | 6,9 | 18306340060 |
| | 22000 | 45x60 | 13 | 7,6 | 22306345060 |
| | 22000 | 35x10 | 13 | 8,9 | 22306335100 |
| | 22000 | 40x80 | 13 | 8,5 | 22306340080 |
| | 27000 | 40x10 | 11 | 10,3 | 27306340100 |
| | 27000 | 45x80 | 11 | 9,4 | 27306345080 |
| | 39000 | 45x10 | 7 | 12,4 | 39306345100 |
| 80 | 1800 | 25x30 | 177 | 1,3 | 18208025030 |
| | 1800 | 25x35 | 177 | 1,3 | 18208025035 |
| | 2700 | 25x40 | 118 | 1,7 | 27208025040 |
| | 2700 | 30x30 | 118 | 1,7 | 27208030030 |
| | 3300 | 25x45 | 97 | 2,0 | 33208025045 |
| | 3900 | 25x50 | 82 | 2,3 | 39208025050 |
| | 3300 | 30x35 | 97 | 2,0 | 33208030035 |
| | 3900 | 35x30 | 82 | 2,3 | 39208035030 |
| | 3900 | 30x40 | 82 | 2,3 | 39208030040 |
| | 4700 | 30x45 | 68 | 2,6 | 47208030045 |
| | 4700 | 35x35 | 68 | 2,6 | 47208035035 |
| | 5600 | 30x50 | 57 | 2,9 | 56208030050 |
| | 5600 | 35x40 | 57 | 3,0 | 56208035040 |
| | 6800 | 35x45 | 47 | 3,4 | 68208035045 |
| | 6800 | 35x50 | 47 | 3,6 | 68208035050 |
| | 8200 | 30x70 | 39 | 4,1 | 82208030070 |
| | 10000 | 35x60 | 32 | 4,6 | 10308035060 |
| | 10000 | 40x50 | 32 | 4,6 | 10308040050 |
| | 12000 | 35x80 | 27 | 5,7 | 12308035080 |
| | 12000 | 40x60 | 27 | 5,3 | 12308040060 |
| | 18000 | 35x10 | 18 | 7,6 | 18308035100 |
| | 15000 | 45x60 | 21 | 6,0 | 15308045060 |
| | 18000 | 40x80 | 18 | 7,3 | 18308040080 |
| | 22000 | 45x80 | 14 | 8,1 | 22308045080 |
| | 22000 | 40x10 | 14 | 8,8 | 22308040100 |
| | 27000 | 45x10 | 12 | 9,8 | 27308045100 |
| 100 | 1200 | 25x30 | 133 | 1,5 | 12210025030 |
| | 1500 | 25x35 | 106 | 1,7 | 15210025035 |
| | 1800 | 25x40 | 88 | 2,0 | 18210025040 |
| | 1800 | 30x30 | 88 | 2,0 | 18210030030 |
| | 2200 | 25x45 | 72 | 2,3 | 22210025045 |
| | 2200 | 25x50 | 72 | 2,4 | 22210025050 |
| | 2200 | 35x30 | 72 | 2,4 | 22210035030 |
| | 2700 | 30x40 | 59 | 2,7 | 27210030040 |
| | 2700 | 30x45 | 59 | 2,8 | 27210030045 |
| | 2700 | 35x35 | 59 | 2,8 | 27210035035 |
| | 3300 | 30x50 | 48 | 3,2 | 33210030050 |
| | 3300 | 35x40 | 48 | 3,2 | 33210035040 |
| | 3900 | 35x45 | 41 | 3,7 | 39210035045 |
| | 5600 | 30x70 | 28 | 4,7 | 56210030070 |

| Rated voltage U_R [V] | Rated cap. C_R [µF] | Case size D x L [mm] | Typ. ESR 100 Hz, 20°C [mΩ] | Ripple current IR~ 100 Hz, 85°C [A] | Order code |
|-----------------------------------|---------------------------------|--------------------------------|--------------------------------------|--|--------------------------|
| | | | | | Plain base: LFA... |
| | | | | | Stud mounting: LFB... |
| 100 | 4700 | 35x50 | 34 | 4,2 | 47210035050 |
| | 5600 | 35x60 | 28 | 4,9 | 56210035060 |
| | 5600 | 40x50 | 28 | 4,8 | 56210040050 |
| | 6800 | 35x80 | 23 | 6,1 | 68210035080 |
| | 6800 | 40x60 | 23 | 5,7 | 68210040060 |
| | 10000 | 35x10 | 16 | 8,1 | 10310035100 |
| | 12000 | 40x80 | 13 | 8,4 | 12310040080 |
| | 10000 | 45x60 | 16 | 6,9 | 10310045060 |
| | 12000 | 45x80 | 13 | 8,4 | 12310045080 |
| | 15000 | 40x10 | 11 | 10,3 | 15310040100 |
| | 18000 | 45x10 | 9 | 11,3 | 18310045100 |
| | 160 | 470 | 25x30 | 237 | 1,1 |
| 560 | | 25x35 | 199 | 1,3 | 56116025035 |
| 680 | | 25x40 | 164 | 1,5 | 68116025040 |
| 680 | | 30x30 | 164 | 1,4 | 68116030030 |
| 820 | | 25x45 | 136 | 1,7 | 82116025045 |
| 820 | | 30x35 | 136 | 1,7 | 82116030035 |
| 1000 | | 25x50 | 111 | 1,9 | 10216025050 |
| 1000 | | 30x40 | 111 | 1,9 | 10216030040 |
| 1000 | | 35x30 | 111 | 1,9 | 10216035030 |
| 1200 | | 30x45 | 93 | 2,2 | 12216030045 |
| 1200 | | 35x35 | 93 | 2,2 | 12216035035 |
| 1500 | | 30x50 | 74 | 2,6 | 15216030050 |
| 1500 | | 35x40 | 74 | 2,6 | 15216035040 |
| 1800 | | 35x45 | 62 | 3,0 | 18216035045 |
| 1800 | | 35x50 | 62 | 3,1 | 18216035050 |
| 2200 | | 30x70 | 51 | 3,6 | 22216030070 |
| 2200 | | 35x60 | 51 | 3,7 | 22216035060 |
| 2700 | | 40x50 | 41 | 4,0 | 27216040050 |
| 3300 | | 35x80 | 34 | 5,0 | 33216035080 |
| 3300 | | 40x60 | 34 | 4,7 | 33216040060 |
| 3900 | | 35x10 | 29 | 6,0 | 39216035100 |
| 3900 | | 45x60 | 29 | 5,2 | 39216045060 |
| 4700 | | 40x80 | 24 | 6,3 | 47216040080 |
| 5600 | | 40x10 | 20 | 7,5 | 56216040100 |
| 5600 | | 45x80 | 20 | 6,9 | 56216045080 |
| 6800 | | 45x10 | 16 | 8,3 | 68216045100 |
| 200 | 470 | 25x30 | 203 | 1,2 | 47120025030 |
| | 560 | 25x35 | 171 | 1,4 | 56120025035 |
| | 680 | 25x40 | 141 | 1,6 | 68120025040 |
| | 680 | 30x30 | 141 | 1,6 | 68120030030 |
| | 820 | 25x45 | 117 | 1,8 | 82120025045 |
| | 820 | 30x35 | 117 | 1,8 | 82120030035 |
| | 1000 | 35x30 | 96 | 2,1 | 10220035030 |
| | 1000 | 25x50 | 96 | 2,1 | 10220025050 |
| | 1000 | 30x40 | 96 | 2,1 | 10220030040 |
| | 1200 | 30x45 | 80 | 2,4 | 12220030045 |
| | 1500 | 30x50 | 64 | 2,8 | 15220030050 |
| | 1200 | 35x35 | 80 | 2,4 | 12220035035 |
| | 1500 | 35x40 | 64 | 2,8 | 15220035040 |



| Rated voltage U _R [V] | Rated cap. C _R [µF] | Case size D x L [mm] | Typ. ESR 100 Hz, 20°C [mΩ] | Ripple current IR~ 100 Hz, 85°C [A] | Order code |
|--|--|--------------------------------|--------------------------------------|--|-----------------------|
| | | | | | Plain base: LFA... |
| 200 | 1800 | 35x45 | 53 | 3,2 | 18220035045 |
| | 1800 | 35x50 | 53 | 3,3 | 18220035050 |
| | 2200 | 30x70 | 43 | 3,8 | 22220030070 |
| | 2200 | 35x60 | 43 | 4,0 | 22220035060 |
| | 3300 | 35x80 | 29 | 5,4 | 33220035080 |
| | 2700 | 40x50 | 35 | 4,3 | 27220040050 |
| | 3300 | 40x60 | 29 | 5,1 | 33220040060 |
| | 3900 | 35x10 | 24 | 6,5 | 39220035100 |
| | 4700 | 40x80 | 20 | 6,8 | 47220040080 |
| | 3900 | 45x60 | 24 | 5,6 | 39220045060 |
| | 5600 | 40x10 | 17 | 8,1 | 56220040100 |
| | 5600 | 45x80 | 17 | 7,4 | 56220045080 |
| | 6800 | 45x10 | 14 | 9,0 | 68220045100 |
| | 350 | 180 | 25x30 | 531 | 0,7 |
| 220 | | 25x35 | 434 | 0,9 | 22135025035 |
| 270 | | 25x40 | 354 | 1,0 | 27135025040 |
| 270 | | 30x30 | 354 | 1,0 | 27135030030 |
| 330 | | 25x45 | 290 | 1,2 | 33135025045 |
| 330 | | 30x35 | 290 | 1,1 | 33135030035 |
| 390 | | 35x30 | 245 | 1,3 | 39135035030 |
| 390 | | 25x50 | 245 | 1,3 | 39135025050 |
| 390 | | 30x40 | 245 | 1,3 | 39135030040 |
| 470 | | 30x45 | 203 | 1,5 | 47135030045 |
| 470 | | 35x35 | 203 | 1,5 | 47135035035 |
| 560 | | 30x50 | 171 | 1,7 | 56135030050 |
| 560 | | 35x40 | 171 | 1,7 | 56135035040 |
| 560 | | 35x45 | 171 | 1,8 | 56135035045 |
| 680 | | 35x50 | 141 | 2,1 | 68135035050 |
| 820 | | 30x70 | 117 | 2,3 | 82135030070 |
| 820 | | 35x60 | 117 | 2,4 | 82135035060 |
| 1000 | | 40x50 | 96 | 2,6 | 10235040050 |
| 1200 | | 35x80 | 80 | 3,3 | 12235035080 |
| 1200 | | 40x60 | 80 | 3,1 | 12235040060 |
| 1500 | | 35x10 | 64 | 4,0 | 15235035100 |
| 1500 | | 45x60 | 64 | 3,4 | 15235045060 |
| 1800 | | 40x80 | 53 | 4,2 | 18235040080 |
| 1800 | | 40x10 | 53 | 4,6 | 18235040100 |
| 2200 | 45x80 | 43 | 4,7 | 22235045080 | |
| 2700 | 45x10 | 35 | 5,6 | 27235045100 | |
| 400 | 180 | 25x30 | 708 | 0,6 | 18140025030 |
| | 180 | 22x40 | 708 | 0,7 | 18140022040 |
| | 220 | 25x35 | 579 | 0,7 | 22140025035 |
| | 270 | 25x40 | 472 | 0,9 | 27140025040 |
| | 270 | 30x30 | 472 | 0,8 | 27140030030 |
| | 330 | 25x45 | 386 | 1,0 | 33140025045 |
| | 330 | 25x50 | 386 | 1,0 | 33140025050 |
| | 330 | 30x35 | 386 | 1,0 | 33140030035 |
| | 390 | 35x30 | 327 | 1,1 | 39140035030 |
| | 390 | 30x40 | 327 | 1,1 | 39140030040 |
| | 470 | 35x35 | 271 | 1,3 | 47140035035 |

| Rated voltage U _R [V] | Rated cap. C _R [µF] | Case size D x L [mm] | Typ. ESR 100 Hz, 20°C [mΩ] | Ripple current IR~ 100 Hz, 85°C [A] | Order code |
|--|--|--------------------------------|--------------------------------------|--|-----------------------|
| | | | | | Plain base: LFA... |
| 400 | 470 | 30x45 | 271 | 1,3 | 47140030045 |
| | 560 | 30x50 | 227 | 1,5 | 56140030050 |
| | 560 | 35x40 | 227 | 1,5 | 56140035040 |
| | 560 | 35x45 | 227 | 1,6 | 56140035045 |
| | 680 | 30x70 | 187 | 1,8 | 68140030070 |
| | 680 | 35x60 | 187 | 1,8 | 68140035060 |
| | 820 | 35x50 | 155 | 2,0 | 82140035050 |
| | 820 | 35x60 | 155 | 2,1 | 82140035060 |
| | 820 | 40x50 | 155 | 2,1 | 82140040050 |
| | 1200 | 35x80 | 106 | 2,8 | 12240035080 |
| | 1200 | 40x60 | 106 | 2,7 | 12240040060 |
| | 1500 | 35x10 | 85 | 3,5 | 15240035100 |
| | 1500 | 40x80 | 85 | 3,3 | 15240040080 |
| | 1800 | 45x60 | 71 | 3,3 | 18240045060 |
| | 1800 | 40x10 | 71 | 4,0 | 18240040100 |
| | 1800 | 45x80 | 71 | 3,6 | 18240045080 |
| | 2700 | 45x10 | 47 | 4,9 | 27240045100 |
| | 450 | 120 | 25x30 | 929 | 0,6 |
| 150 | | 25x35 | 743 | 0,7 | 15145025035 |
| 180 | | 25x40 | 619 | 0,8 | 18145025040 |
| 220 | | 25x45 | 507 | 0,9 | 22145025045 |
| 180 | | 30x30 | 619 | 0,7 | 18145030030 |
| 220 | | 30x35 | 507 | 0,9 | 22145030035 |
| 220 | | 25x50 | 507 | 0,9 | 22145025050 |
| 270 | | 30x40 | 413 | 1,0 | 27145030040 |
| 220 | | 35x30 | 507 | 0,9 | 22145035030 |
| 270 | | 30x45 | 413 | 1,0 | 27145030045 |
| 270 | | 35x35 | 413 | 1,1 | 27145035035 |
| 330 | | 30x50 | 338 | 1,2 | 33145030050 |
| 390 | | 35x40 | 286 | 1,3 | 39145035040 |
| 390 | | 35x45 | 286 | 1,4 | 39145035045 |
| 560 | | 30x70 | 199 | 1,8 | 56145030070 |
| 470 | | 35x50 | 237 | 1,6 | 47145035050 |
| 560 | | 35x60 | 199 | 1,9 | 56145035060 |
| 560 | | 40x50 | 199 | 1,8 | 56145040050 |
| 820 | | 35x80 | 136 | 2,5 | 82145035080 |
| 1200 | | 40x60 | 93 | 2,8 | 12245040060 |
| 1000 | | 35x10 | 111 | 3,0 | 10245035100 |
| 1000 | | 45x60 | 111 | 2,6 | 10245045060 |
| 1200 | | 40x80 | 93 | 3,3 | 12245040080 |
| 1500 | | 40x10 | 74 | 4,0 | 15245040100 |
| 1200 | 45x80 | 93 | 3,2 | 12245045080 | |
| 1800 | 45x10 | 62 | 4,3 | 18245045100 | |
| 500 | 120 | 25x30 | 796 | 0,6 | 12150025030 |
| | 120 | 25x35 | 796 | 0,6 | 12150025035 |
| | 150 | 25x40 | 637 | 0,7 | 15150025040 |
| | 180 | 25x45 | 531 | 0,9 | 18150025045 |
| | 150 | 30x30 | 637 | 0,7 | 15150030030 |
| | 180 | 30x35 | 531 | 0,8 | 18150030035 |
| 220 | 25x50 | 434 | 1,0 | 22150025050 | |



| Rated voltage U_R [V] | Rated cap. C_R [μF] | Case size D x L [mm] | Typ. ESR 100 Hz, 20°C [mΩ] | Ripple current IR~ 100 Hz, 85°C [A] | Order code |
|-------------------------------|-----------------------------|----------------------------|----------------------------------|--|-----------------------|
| | | | | | Plain base: LFA... |
| 500 | 220 | 30x40 | 434 | 1,0 | 22150030040 |
| | 180 | 35x30 | 531 | 0,9 | 18150035030 |
| | 270 | 30x45 | 354 | 1,1 | 27150030045 |
| | 270 | 35x35 | 354 | 1,1 | 27150035035 |
| | 270 | 30x50 | 354 | 1,2 | 27150030050 |
| | 270 | 35x40 | 354 | 1,2 | 27150035040 |
| | 390 | 35x45 | 245 | 1,5 | 39150035045 |
| | 470 | 30x70 | 203 | 1,8 | 47150030070 |
| | 390 | 35x50 | 245 | 1,6 | 39150035050 |

| Rated voltage U_R [V] | Rated cap. C_R [μF] | Case size D x L [mm] | Typ. ESR 100 Hz, 20°C [mΩ] | Ripple current IR~ 100 Hz, 85°C [A] | Order code |
|-------------------------------|-----------------------------|----------------------------|----------------------------------|--|-----------------------|
| | | | | | Plain base: LFA... |
| 500 | 560 | 35x60 | 171 | 2,0 | 56150035060 |
| | 680 | 35x80 | 141 | 2,5 | 68150035080 |
| | 680 | 40x60 | 141 | 2,3 | 68150040060 |
| | 820 | 35x10 | 117 | 3,0 | 82150035100 |
| | 820 | 45x60 | 117 | 2,6 | 82150045060 |
| | 820 | 40x10 | 117 | 3,1 | 82150040100 |
| | 1200 | 40x80 | 80 | 3,4 | 12250040080 |
| | 1200 | 45x80 | 80 | 3,4 | 12250045080 |
| | 1500 | 45x10 | 64 | 4,2 | 15250045100 |

Useful life
as a function of ambient temperature and actual ripple current

